



DEPARTMENT OF REGULATORY AND ECONOMIC RESOURCES (RER)
 BOARD AND CODE ADMINISTRATION DIVISION
NOTICE OF ACCEPTANCE (NOA)

Gensteel Doors Inc.
4950 Hickmore Street
Ville St. Laurent, Quebec, Canada H4T1K6

SCOPE:

This NOA is being issued under the applicable rules and regulations governing the use of construction materials. The documentation submitted has been reviewed and accepted by Miami-Dade County RER -Product Control Section to be used in Miami Dade County and other areas were allowed by the Authority Having Jurisdiction (AHJ).

This NOA shall not be valid after the expiration date stated below. The Miami-Dade County Product Control Section (In Miami Dade County) and/or the AHJ (in areas other than Miami Dade County) reserve the right to have this product or material tested for quality assurance purposes. If this product or material fails to perform in the accepted manner, the manufacturer will incur the expense of such testing and the AHJ may immediately revoke, modify, or suspend the use of such product or material within their jurisdiction. RER reserves the right to revoke this acceptance, if it is determined by Miami-Dade County Product Control Section that this product or material fails to meet the requirements of the applicable building code.

This product is approved as described herein and has been designed to comply with the Florida Building Code, including the High Velocity Hurricane Zone.

DESCRIPTION: Series "GenStorm" Flush Single Outswing Steel Doors

APPROVAL DOCUMENT: Drawing No. **AD10-02**, titled "Genstorm Outswing Steel Door System (LMI)", sheet 1 through 7 of 7, dated 02-10-11 and last revised on December 24, 2020, prepared by MCY Engineering, Inc., signed and sealed by Yiping Wang, P.E., bearing the Miami-Dade County Product Control Revision stamp with the Notice of Acceptance number and expiration date by the Miami-Dade County Product Control Section.

MISSILE IMPACT RATING: Large Missile Impact Resistant

Limitations:

1. See Design Pressures & corresponding Hardware in sheet **5**. Max. Exterior (positive) DP= **+65**, where water infiltration requirement is needed.
2. Options **#1, 2 & #4** require total two (2) flush bolts (top/bottom) on active panel.

LABELING: Each unit shall bear one of the following permanent labels:

Gensteel Doors Inc.	Gensteel Doors Inc.	Gensteel Doors USA
4950 Hickmore Street	2335 Industrial Park Drive	1551 Fairground Road
Ville St. Laurent, Quebec, Canada H4T1K6	Cornwall, Ontario, Canada K6H7M4	Madison, Georgia USA 30650

and series and the statement: "Miami-Dade County Product Control Approved".

RENEWAL of this NOA shall be considered after a renewal application has been filed and there has been no change in the applicable building code negatively affecting the performance of this product.

TERMINATION of this NOA will occur after the expiration date or if there has been a revision or change in the materials, use, and/or manufacture of the product or process. Misuse of this NOA as an endorsement of any product, for sales, advertising or any other purposes shall automatically terminate this NOA. Failure to comply with any section of this NOA shall be cause for termination and removal of NOA.

ADVERTISEMENT: The NOA number preceded by the words Miami-Dade County, Florida, and followed by the expiration date may be displayed in advertising literature. If any portion of the NOA is displayed, then it shall be done in its entirety.

INSPECTION: A copy of this entire NOA shall be provided to the user by the manufacturer or its distributors and shall be available for inspection at the job site at the request of the Building Official.

This NOA **revises NOA #20-0312.04** and consists of this page 1 and evidence pages E-1, E-2 and E-3, as well as approval document mentioned above.

The submitted documentation was reviewed by **Ishaq I. Chanda, P.E.**



Ishaq I. Chanda

Gensteel Doors Inc.

NOTICE OF ACCEPTANCE: EVIDENCE SUBMITTED

1. Evidence submitted under previous files

A. DRAWINGS

1. Manufacturer's die drawings and sections (submitted under file listed below)
2. Drawing No. **AD10-02**, titled "Genstorm Outswing Steel Door System (LMI)", sheet 1 through 7 of 7, dated 02-10-11 and last revised on AUG 21, 2015, prepared by MCY Engineering, Inc., signed and sealed by Yiping Wang, P.E.

B. TESTS (submitted under files #12-0223.35/#10-1203.03/#05-0127.11)

1. Test reports on 1) Uniform Static Air Pressure Test, Loading per FBC, TAS 202-94
2) Water Resistance Test, per FBC, TAS 202-94 (PMK 2005-AT)

Along with marked-up drawings and installation diagram of Genstorm Opaque Double Swinging Doors, prepared by Fenestration Testing Laboratory, Inc., Test Report No. **FTL 6346**, dated 10/14/10, signed and sealed by Jorge A. Causo, P.E.

2. Test reports on 1) Air Infiltration Test, per FBC, TAS 202-94
2) Uniform Static Air Pressure Test, Loading per FBC, TAS 202-94
3) Water Resistance Test, per FBC, TAS 202-94 (PMK177T threshold)
4) Large Missile Impact Test per FBC, TAS 201-94
5) Cyclic Wind Pressure Loading per FBC, TAS 203-94
6) Forced Entry Test, per FBC 2411 3.2.1 and TAS 202-94
7) Tensile test per FBC, TAS 202

Along with marked-up drawings and installation diagram of Genstorm Opaque, Glazed and Louvered Single and Double Swinging Doors, prepared by Fenestration Testing Laboratory, Inc., Test Report No. **FTL 5877**, dated 10/13/09 and **FTL 5898**, dated 09/14/09, both signed and sealed by Julio E. Gonzalez, P.E. (transferred from file # **10-0125.01**)

3. Additional Test reports per FBC TAS 201, 202 and 203-94, test report No. **ITS-3058370-DOUBLE**, dated 12/09/04 for Double Outswing Honeycomb Steel Door System, prepared by Intertek Testing Services, **signed** and sealed by Stephen J. Emerman, P. E. (# **05-0127.11**).

C. CALCULATIONS

1. Anchor verification calculations and structural analysis, complying with FBC-2014(5th Edition), prepared by MCY Engineering, Inc, dated 08/21/15, signed and sealed by Yiping Wang, P.E.

D. QUALITY ASSURANCE

1. Miami Dade Department of Regulatory and Economic Resources (RER).

E. MATERIAL CERTIFICATIONS

1. Tensile Test, per ASTM A370-05 item B (1) (7)
2. Tensile test report N0. FTL 5877 per ASTM A370-05 dated 10/13/09, issued by Fenestration Testing Lab, signed and sealed by Julio Gonzales, P.E. (submitted under file # **10-1203.02**).

F. STATEMENTS

1. Statement letter of conformance to FBC 2014 (5th Edition), dated 08/20/15, prepared by MCY Engineering, Inc, signed and sealed by Yiping Wang, P.E.
2. Statement letter of Lab. Compliance, as a part of above test reports.

G. OTHER

1. This NOA **revises & renews** # **12-0223.35**, expired on 07/14/15.
2. Test proposal No. **08-1489**, issued to Gensteel Door Inc, approved on 11/14/08.
3. Distribution agreement between GenSteel Door, Canada & North America, dated 10/22/10, signed by Bruno Gervasi and Antonio Gervasi, respective

Isnaq I. Chanda
Isnaq I. Chanda, P.E.

Product Control Unit Supervisor

NOA No. 20-1230.10

Expiration Date: July 14, 2025

Approval Date: February 04, 2021

Gensteel Doors Inc.

NOTICE OF ACCEPTANCE: EVIDENCE SUBMITTED

2. Evidence submitted under previous NOA

A. DRAWINGS

1. Drawing No. **AD10-02**, titled “Genstorm Outswing Steel Door System (LMI)”, sheet 1 through 7 of 7, dated 02-10-11 and last revised on JAN 02, 2018, prepared by MCY Engineering, Inc., signed and sealed by Yiping Wang, P.E.

B. Test

1. None.

C. CALCULATIONS

1. None.

D. QUALITY ASSURANCE

1. Miami Dade Department of Regulatory and Economic Resources (RER).

E. MATERIAL CERTIFICATIONS

1. None.

F. STATEMENTS

1. Statement letter of conformance to FBC 2017 (6th Edition), dated 01/02/18, prepared by MCY Engineering, Inc., signed and sealed by Yiping Wang, P.E.

G. OTHER

1. This NOA revises # **15-0825.03**, expiring 07/14/21.

3. Evidence submitted under previous approval

A. DRAWINGS

1. Drawing No. **AD10-02**, titled “Genstorm Outswing Steel Door System (LMI)”, sheet 1 through 7 of 7, dated 02-10-11 and last revised on JAN 02, 2018, prepared by MCY Engineering, Inc., signed and sealed by Yiping Wang, P.E.

B. Test

1. None.

C. CALCULATIONS

1. None.

D. QUALITY ASSURANCE

1. Miami Dade Department of Regulatory and Economic Resources (RER).

E. MATERIAL CERTIFICATIONS

1. None.

F. STATEMENTS

2. Statement letter of conformance to FBC 2017 (6th Edition), dated 01/02/18, prepared by MCY Engineering, Inc., signed and sealed by Yiping Wang, P.E.

G. OTHER

1. This NOA renews # **18-0116.17**, expiring 07/14/25.

Ishaq I. Chanda

Ishaq I. Chanda, P.E.
Product Control Unit Supervisor
NOA No. 20-1230.10
Expiration Date: July 14, 2025
Approval Date: February 04, 2021

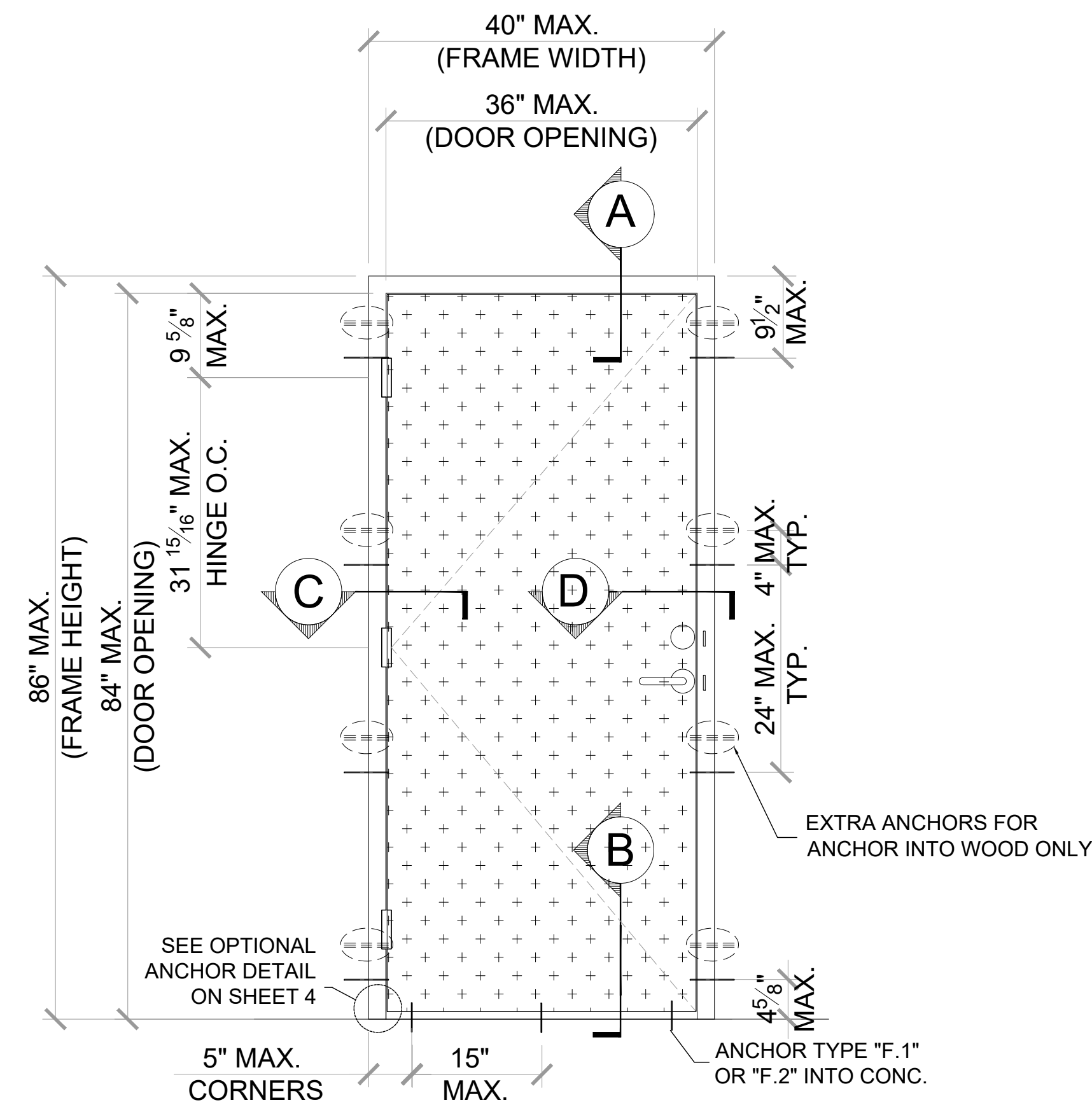
Gensteel Doors Inc.

NOTICE OF ACCEPTANCE: EVIDENCE SUBMITTED

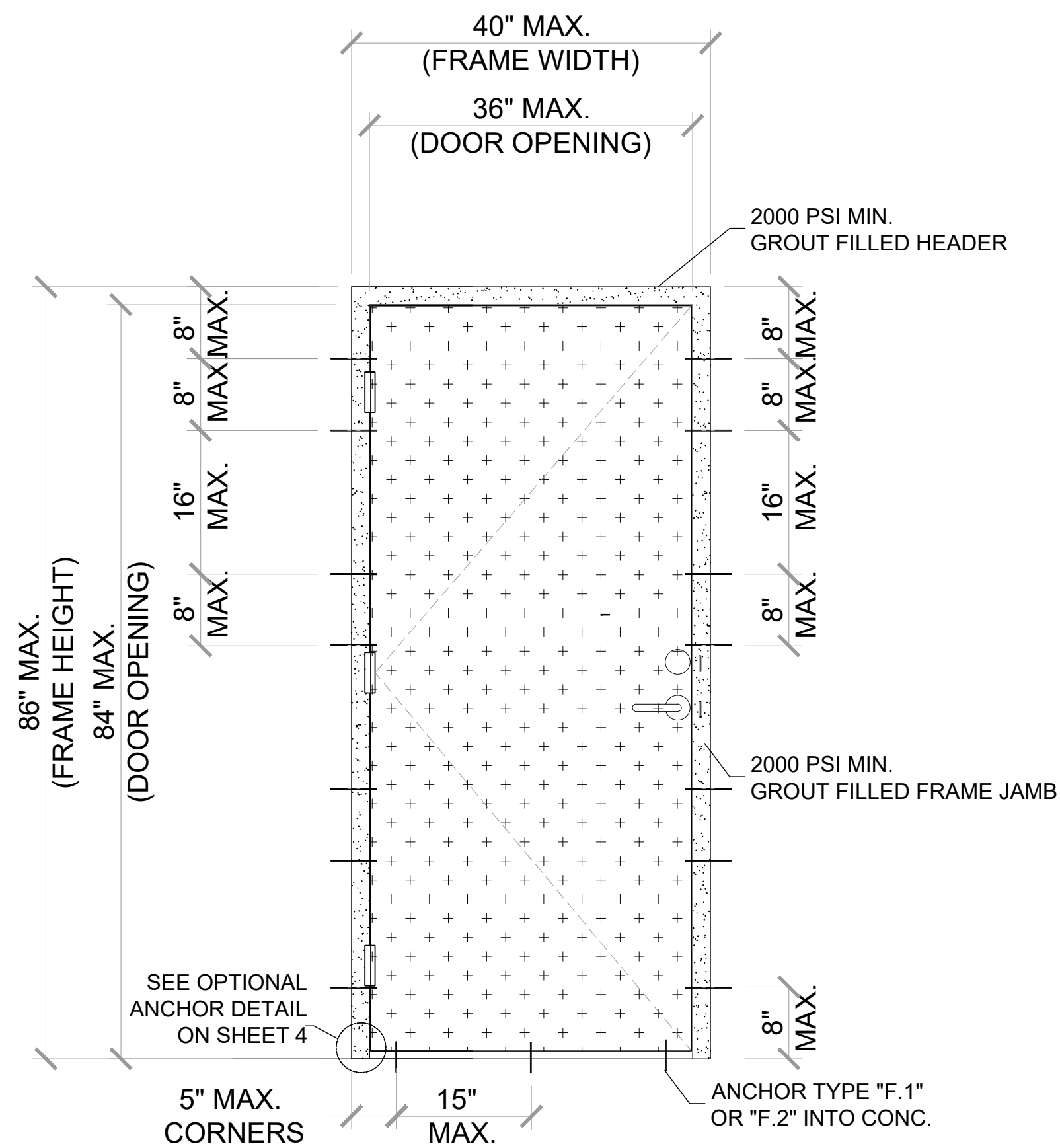
- 4. New Evidence submitted**
- A. DRAWINGS**
 - 1. Drawing No. **AD10-02**, titled “Genstorm Outswing Steel Door System (LMI)”, sheet 1 through 7 of 7, dated 02-10-11 and last revised on December 24, 2020, prepared by MCY Engineering, Inc., signed and sealed by Yiping Wang, P.E.
- B. Test**
 - 1. None.
- C. CALCULATIONS**
 - 1. Anchor verification calculations and structural analysis, complying with FBC-2020 (7th Edition), prepared by MCY Engineering, Inc., dated 12/14/20, signed and sealed by Yiping Wang, P.E.
- D. QUALITY ASSURANCE**
 - 1. Miami Dade Department of Regulatory and Economic Resources (RER).
- E. MATERIAL CERTIFICATIONS**
 - 1. None.
- F. STATEMENTS**
 - 1. Statement letter of conformance to FBC 2020 (7th Edition), dated 12/24/20, prepared by MCY Engineering, Inc., signed and sealed by Yiping Wang, P.E.
 - 2. Distribution agreement dated JAN 26, 2021 between Gensteel Doors, Inc., Canada & North American Door Corp, N.Y. (dba Gensteel Doors, LLC, USA), signed by Bruno Gervasi, VP manufacturing and Antonio Gervasi, President, respectively on behalf of their companies.
- G. OTHER**
 - 1. This NOA revises # **20-0312.04**, expiring 07/14/25.

Ishaq I. Chanda

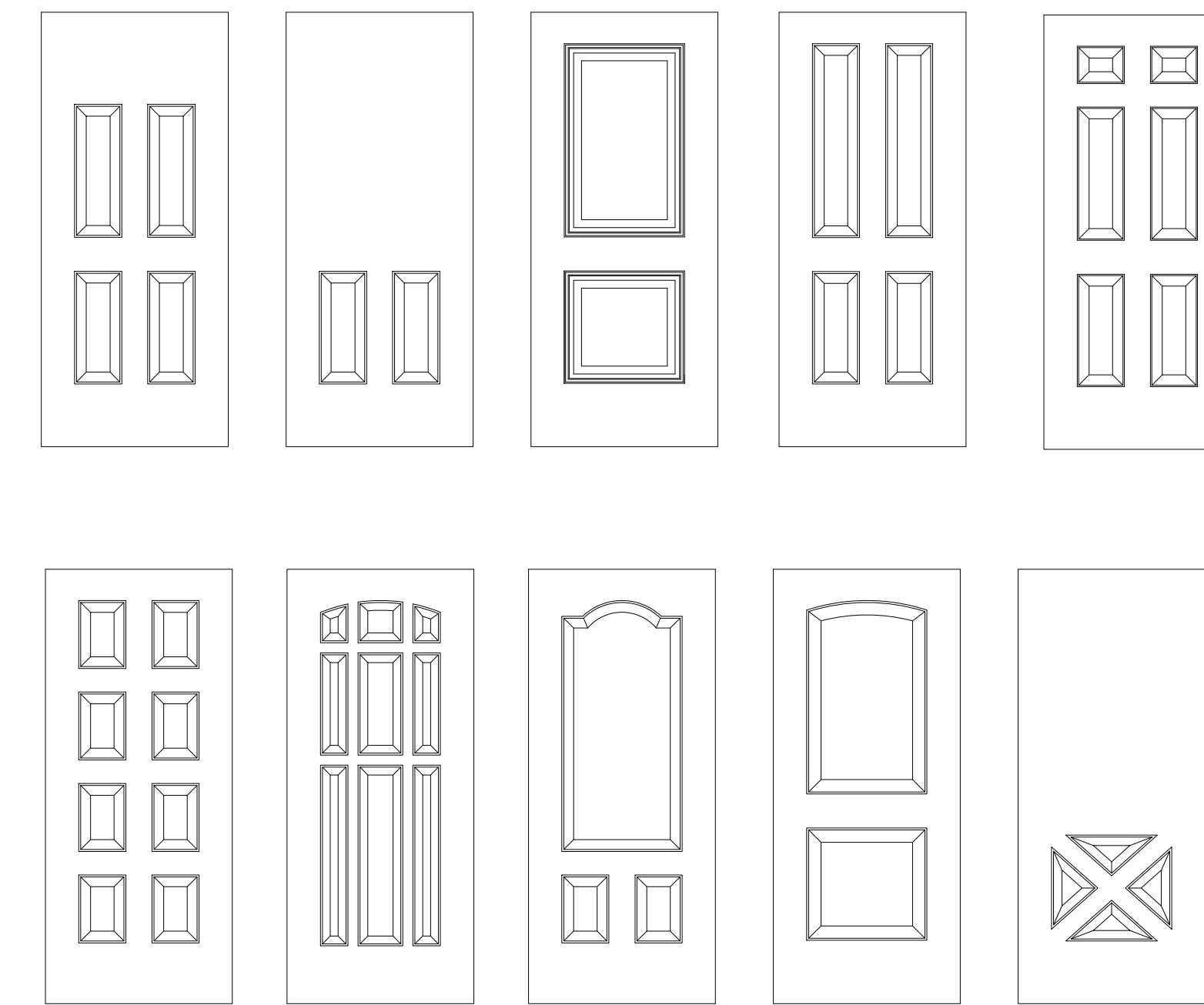
Ishaq I. Chanda, P.E.
Product Control Unit Supervisor
NOA No. 20-1230.10
Expiration Date: July 14, 2025
Approval Date: February 04, 2021



SINGLE DOOR TYP. EXT. ELEVATION



ANCHOR LAYOUT
(FOR WIRE ANCHOR ONLY)



OPTIONAL EMBOSSED DOOR LEAF PATTERNS:

DESIGN LOAD
(FOR SIZES SHOWN ABOVE OR SMALLER
AS PERMITTED BY FBC)
SEE SHEET 5 OF 7

SERIES GENSTORM OPAQUE OUTSWING STEEL DOOR (LMI)

- THIS PRODUCT HAS BEEN DESIGNED AND TESTED TO COMPLY WITH THE REQUIREMENTS OF THE 7TH EDITION FLORIDA BUILDING CODE (2020) INCLUDING HIGH VELOCITY HURRICANE ZONE (HVHZ).
- DOORS RATED FOR LARGE MISSILE IMPACT AND DO NOT REQUIRE SHUTTERS.
- DOORS APPROVED FOR INSTALLATIONS WHERE WATER INFILTRATION RESISTANCE IS OR IS NOT REQUIRED. (SINGLE ROW SELF ADHESIVE CLOSED CELL FOAM TAPE TO BE APPLIED ENTIRE PERIMETER OF FRAME).
- ANCHORS SHALL BE AS LISTED, SPACED AS SHOWN ON DETAILS. ANCHORS EMBEDMENT TO BASE MATERIAL SHALL BE BEYOND WALL DRESSING OR STUCCO.
- ANCHORING OR LOADING CONDITIONS NOT SHOWN IN THESE DETAILS ARE NOT PART OF THIS APPROVAL.
- MATERIALS INCLUDING BUT NOT LIMITED TO STEEL/METAL SCREWS THAT COME INTO CONTACT WITH OTHER DISSIMILAR MATERIALS SHALL MEET THE REQUIREMENTS OF THE 7TH EDITION FLORIDA BUILDING CODE (2020) SECTION AS APPLICABLE.
- METAL STRUCTURES NOT BY GENSTEEL DOOR CO. MUST SUPPORT LOADS IMPOSED BY DOOR SYSTEM AND TRANSFER THEM TO THE BUILDING STRUCTURE.

- ULTIMATE DESIGN LOAD OBTAINED FROM ASCE 7-16, MULTIPLY BY 0.6, SHALL BE LESS THAN OR EQUAL TO MAX. DESIGN LOAD IN THIS DOCUMENT.
- 2 X WOOD BUCKS BY OTHERS MUST BE ANCHORED PROPERLY TO TRANSFER LOADS TO THE STRUCTURE.
- A LOAD DURATION FACTOR IN ALLOWABLE STRESS IS USED IN DESIGN OF ANCHORS INTO WOOD ONLY.
- DOOR PANEL: MIN. 20 GA. (0.039") STEEL MIN. $F_y = 42$ KSI MIN., $F_u = 53$ KSI MIN.
DOOR FRAME: MIN. 18 GA. (0.048") STEEL MIN. $F_y = 48$ KSI MIN., $F_u = 53$ KSI MIN.
- DOOR PANEL STAINLESS OPTION: 20 GA. (0.039") STAINLESS STEEL DOOR PANEL MEETING MIN. $F_y = 42$ KSI, $F_u = 53$ KSI MIN. OR BETTER MAY QUALIFY HAVING "MIL-CERTIFICATE" AS A VERIFICATION OF THE AVAILABLE MIN. YIELD STRENGTH.
- DOOR FRAME STAINLESS OPTION: 18 GA. (0.048") STAINLESS STEEL DOOR FRAME MEETING MIN $F_y = 48$ KSI, $F_u = 53$ KSI MIN. OR BETTER MAY QUALIFY HAVING "MIL-CERTIFICATE" AS A VERIFICATION OF THE AVAILABLE MIN. YIELD STRENGTH.

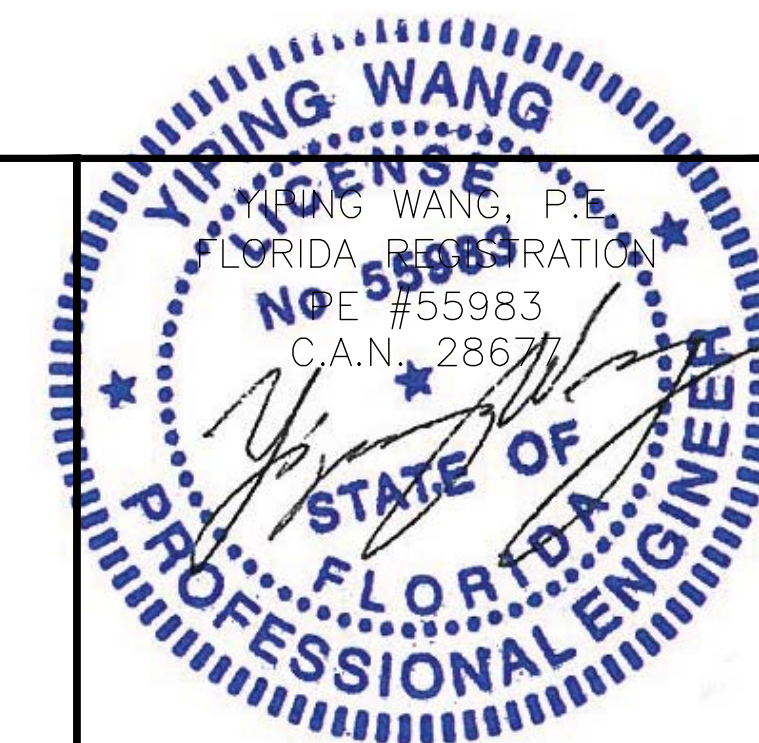
NOTES:
EGRESS REQUIREMENTS TO BE REVIEWED BY BUILDING OFFICIAL.

PRODUCT REVISED
as complying with the Florida Building Code

NOA-No. 20-1230.10

Expiration Date 07/14/2025

By Ishag I. Chank
Miami-Dade Product Control



MIAMI DADE COUNTY

December 24th, 2020

NO.	DATE	DESCRIPTION
1	7/13/10	AS PER BCCO
2	3/04/20	TO FBC 2017
3	11/24/20	TO FBC 2020

MCY ENGINEERING, INC.
GLAZING CONSULTANTS
12781 Miramar Parkway #301 P: (305)271-0117
Miramar, FL 33027
www.MCYEngineering.com mcy@mcycyengineering.com

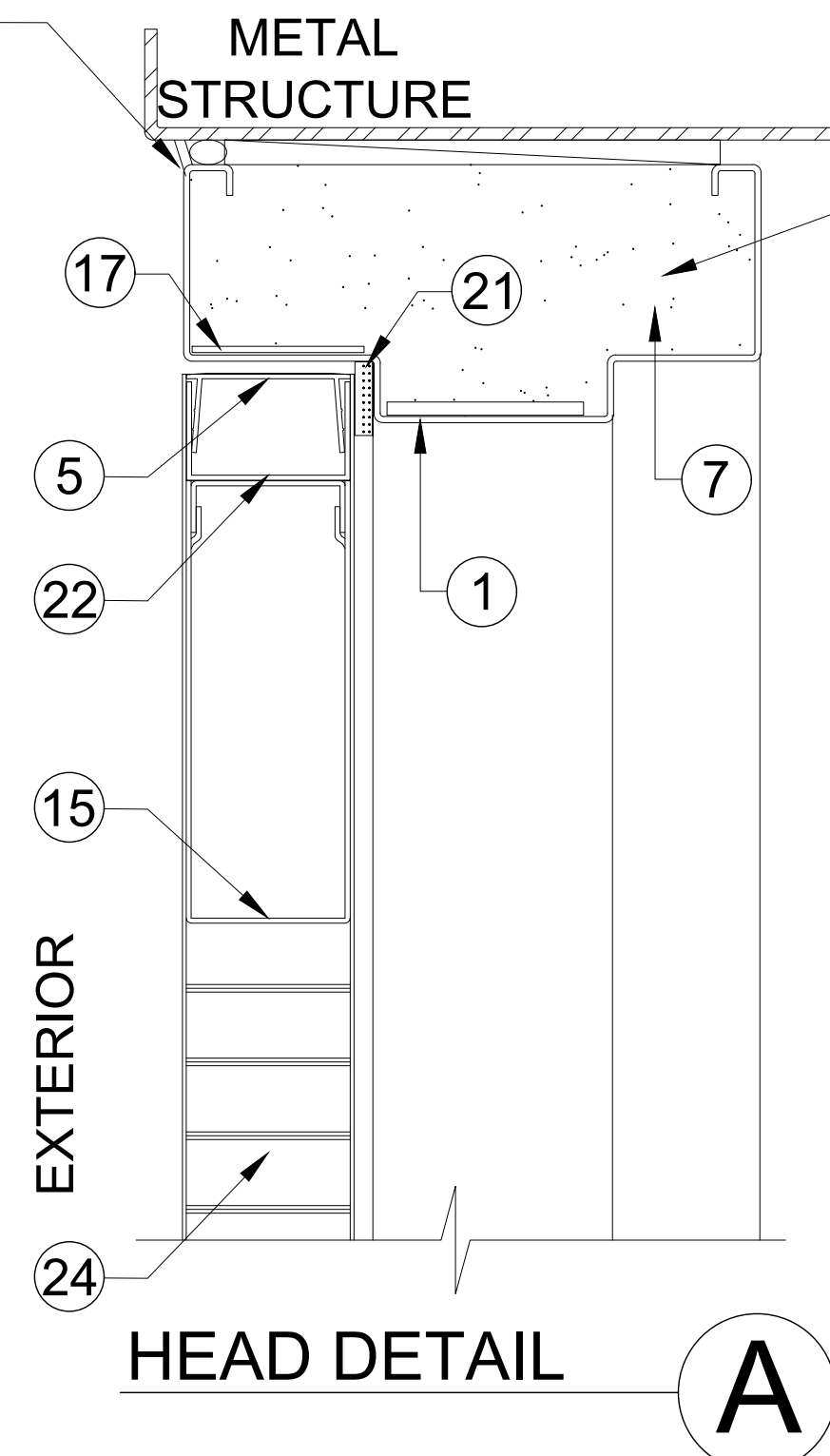
GENSTORM OUTSWING SINGLE DOOR SYSTEM - LMI
GensteelDoors
www.gensteeldoors.com
4950 Hickmore, St. Laurent, Quebec, Canada, H4T1K6
Tel: (514) 733-3562 Fax: (514) 733-1932

DATE	11/24/2020
SCALE	NTS.
DRAWN	C.Y.
PROJECT	10-01

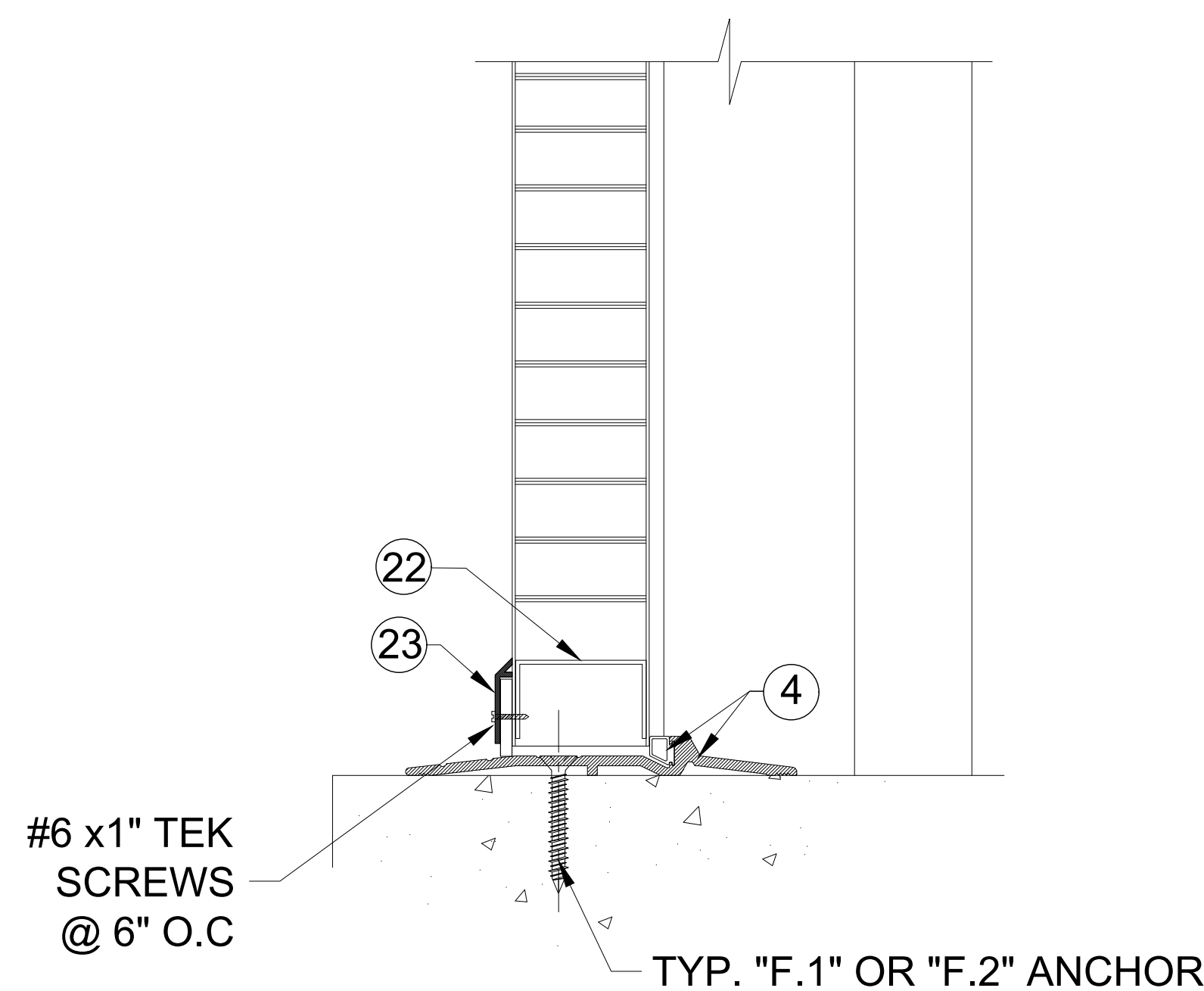
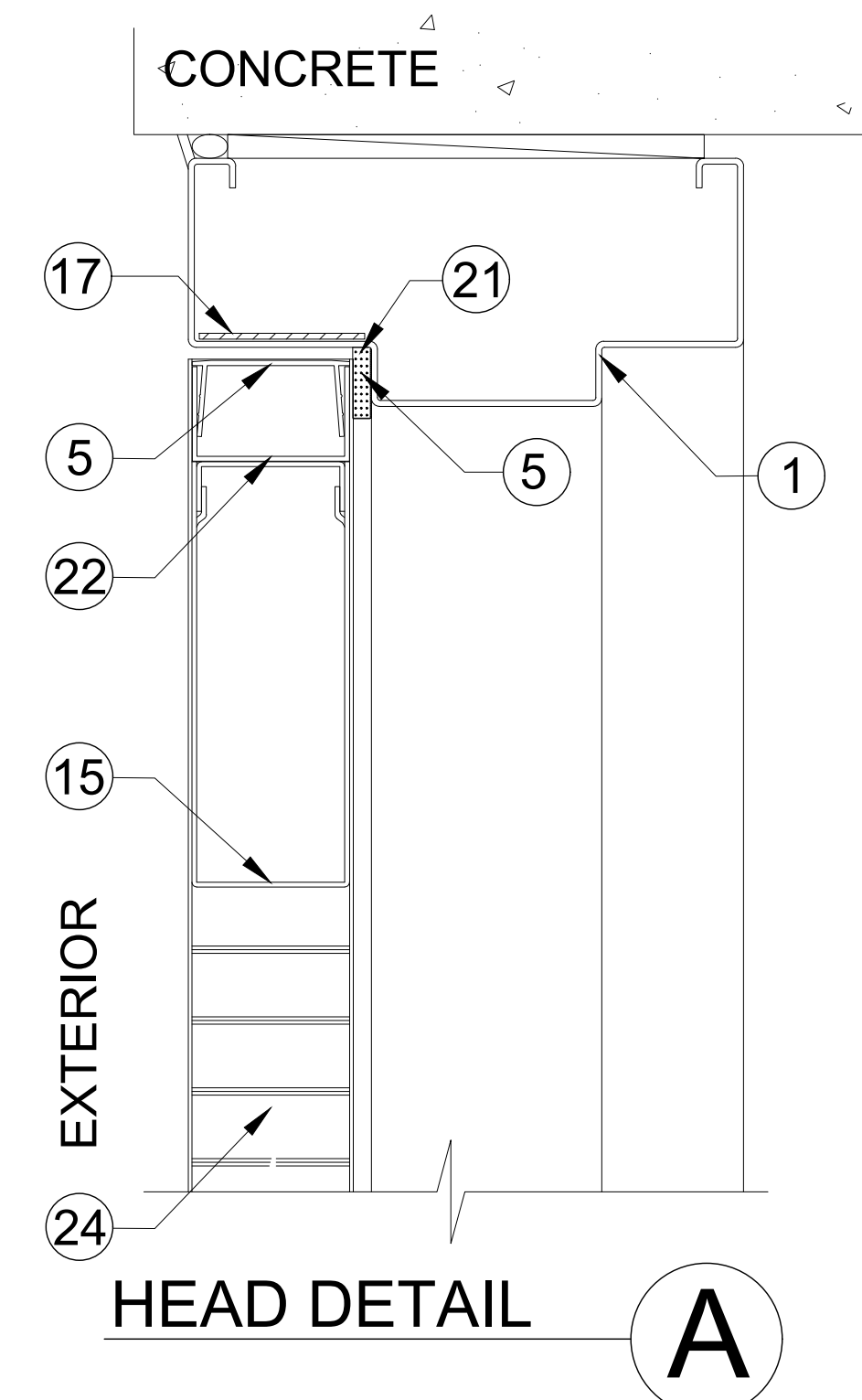
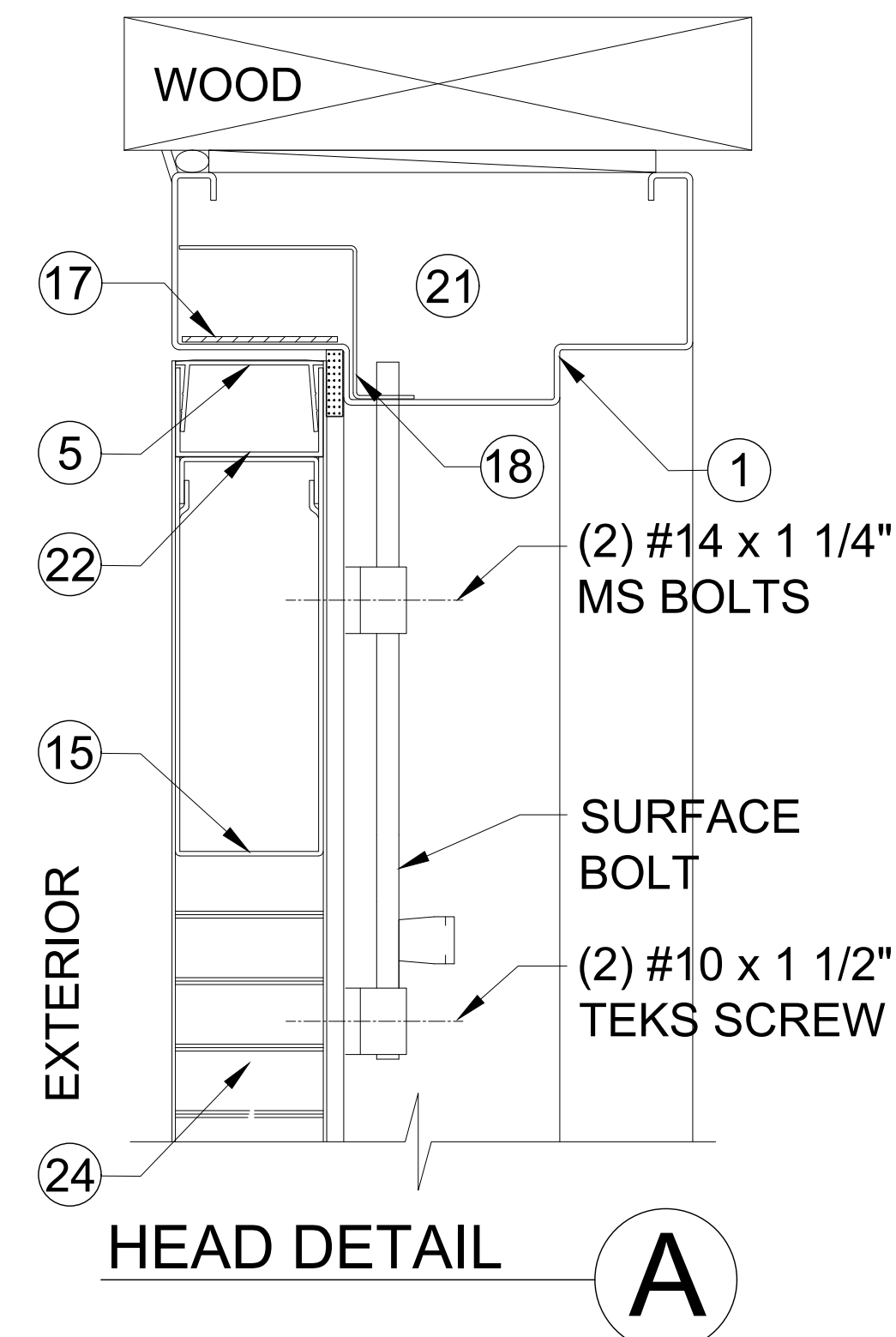
DRAWING NO.
AD10-02

SHEET 1 OF 7

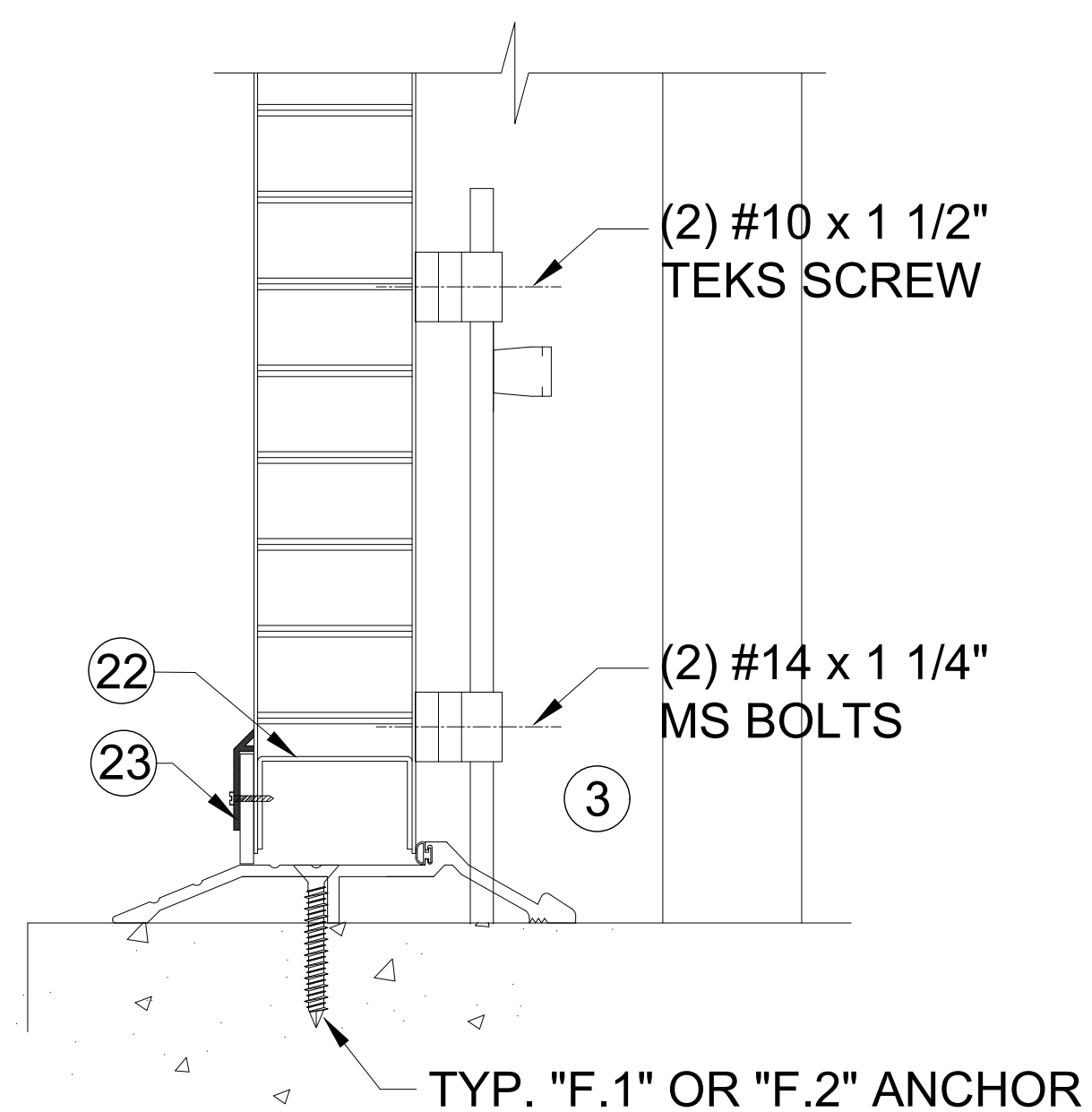
APPROVED
SEALANT/CAULKING
TO BE APPLIED
AS NEEDED



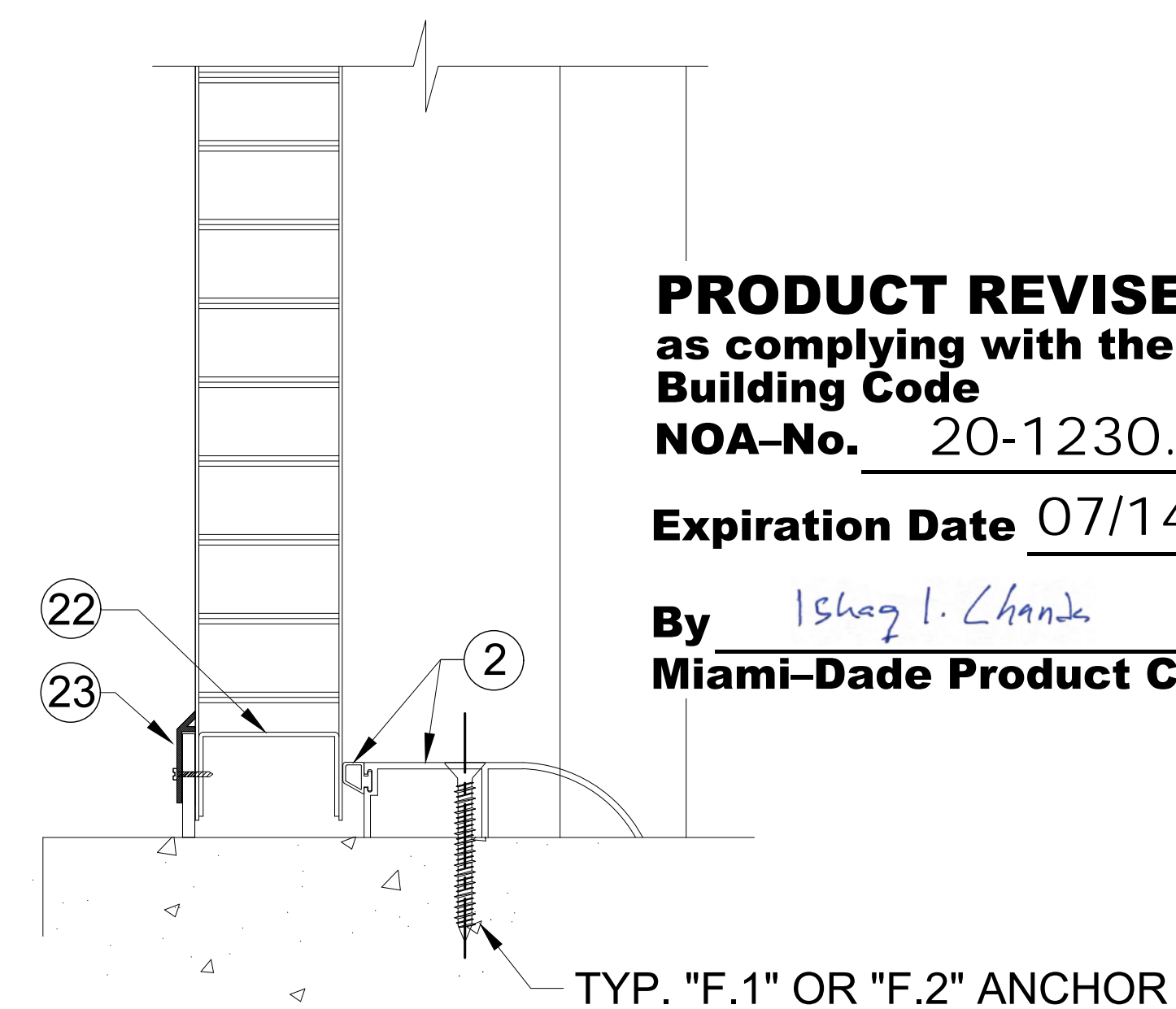
NOTE: HEADER TO BE 2000
PSI MIN. GROUT FILLED
WHEN WIRE ANCHORS ARE
USED AT JAMBS



OPTIONAL THRESHOLD (B)
APPR'D FOR WATER
RESISTANCE



TYPICAL THRESHOLD (B)
APPR'D FOR WATER
RESISTANCE



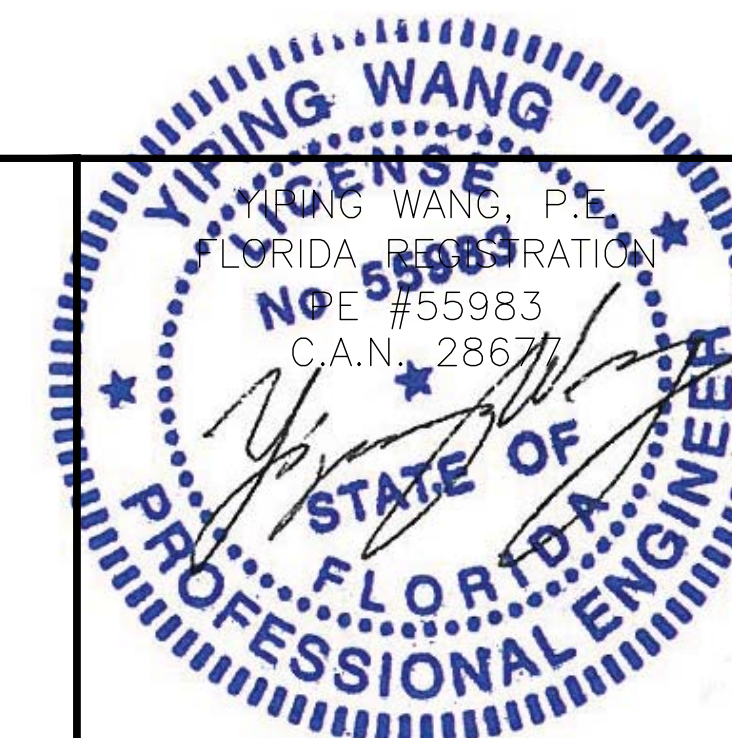
TYPICAL THRESHOLD (B)
APPR'D FOR WATER
RESISTANCE

PRODUCT REVISED
as complying with the Florida
Building Code
NOA-No. 20-1230.10
Expiration Date 07/14/2025
By *Ishag I. Chank*
Miami-Dade Product Control

- TYPICAL ANCHORS @ THRESHOLD:
- TYPE F.1** 1/4" DIA. ULTRACON+ BY 'DEWALT' Fy = 148 KSI Fu = 164 KSI
5/16" DIA. ULTRACONS BY 'DEWALT' Fy = 155 KSI Fu = 177 KSI
DIRECTLY INTO fc'=3000 PSI MIN. CONCRETE
1-1/2" MIN. EMBED
2-1/2" MIN. EDGE DISTANCE
 - TYPE F.2** 1/4" TAPCON BY ITW Fy = 90 KSI Fu = 120 KSI
DIRECTLY INTO fc'=3000 PSI MIN. CONCRETE
1-1/2" MIN. EMBED
2-1/2" MIN. EDGE DISTANCE

SEALANT:
ALL FRAME JOINTS AND CORNERS TO BE SEALED
WITH SILICONE AT PERIMETER
ALL SCREWS SEALED WITH GE SILICONE II

MIAMI DADE COUNTY



December 24th, 2020

NO.	DATE	DESCRIPTION
1	7/13/10	AS PER BCCO
2	3/04/20	TO FBC 2017
3	11/24/20	TO FBC 2020

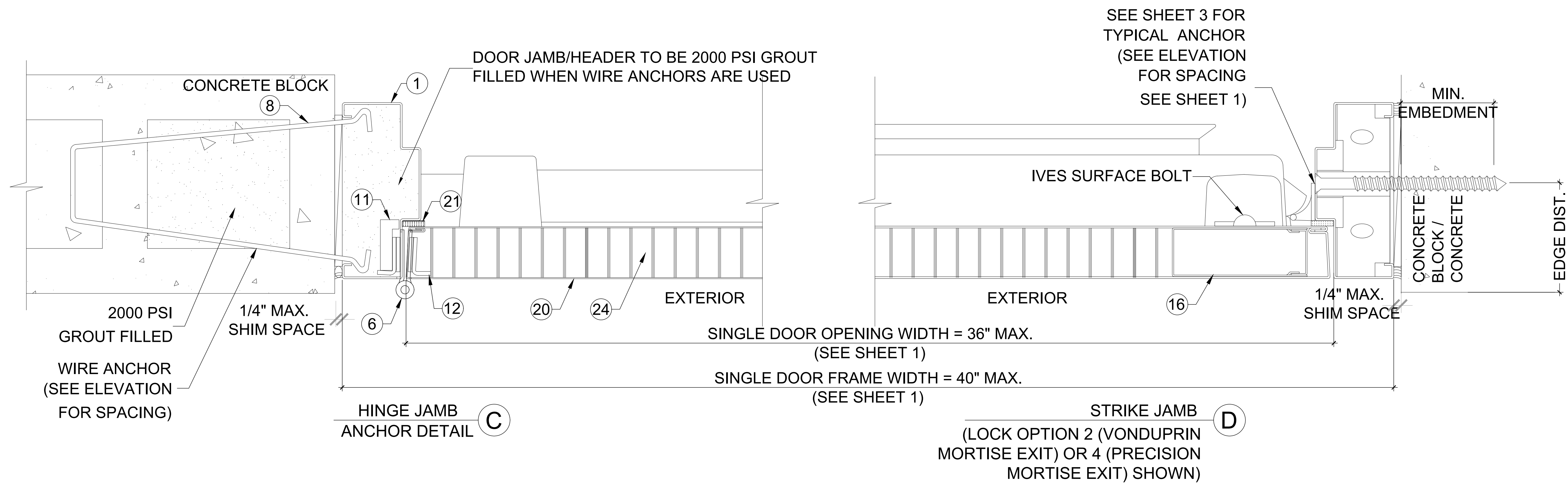
MCY ENGINEERING, INC.
GLAZING CONSULTANTS
12781 Miramar Parkway #301 P: (305)271-0117
Miramar, FL 33027
www.MCYEngineering.com mcy@mcyengineering.com

GENSTORM OUTSWING SINGLE DOOR SYSTEM - LMI
Gensteeldoors
www.gensteeldoors.com
4950 Hickmore, St. Laurent, Quebec, Canada, H4T1K6
Tel: (514) 733-3562 Fax: (514) 733-1932

DATE	11/24/2020
SCALE	NTS.
DRAWN	C.Y.
PROJECT	10-01

DRAWING NO.
AD10-02

SHEET 2 OF 7



TYPICAL ANCHORS THRU EMA (EXISTING MASONRY ANCHOR) @ JAMB:

- TYPE A.1** 5/16" DIA. ULTRACONS BY 'DEWALT' Fy=155 KSI Fu = 177 KSI DIRECTLY INTO 2BY WOOD BUCK
- TYPE A.2** 5/16" DIA. ULTRACONS BY 'DEWALT' Fy=155 KSI Fu = 177 KSI DIRECTLY INTO fc'=3000 PSI CONCRETE
- 1-1/2" MIN. EMBED
- 2-1/2" MIN. EDGE DISTANCE
- TYPE B.1** 3/8" DIA. HLC SLEEVE ANCHOR BY 'HILTI' DIRECTLY INTO fc'=3000 PSI CONCRETE, 3" MIN. EDGE DIST.
- TYPE B.2** 3/8" DIA. HLC SLEEVE ANCHOR BY 'HILTI' DIRECTLY INTO fm'=2000 PSI CONCRETE BLOCK, 3-1/2" MIN. EDGE DIST.
- 1-1/4" MIN. EMBED
- TYPE C.1** 3/8" DIA. SLEEVE ANCHOR BY 'WEJ-IT' DIRECTLY INTO fc'=4000 PSI CONCRETE, 2-3/8" MIN. EMBED
- TYPE C.2** 3/8" DIA. SLEEVE ANCHOR BY 'WEJ-IT' DIRECTLY INTO fm'=2000 PSI CONCRETE BLOCK, 1-1/4" MIN. EMBED
- 3-1/2" MIN. EDGE DISTANCE
- TYPE D.** 3/8" DIA. POWER BOLT BY 'POWERS' DIRECTLY INTO fc'=3000 PSI CONCRETE
- 2-1/2" MIN. EMBED
- 3" MIN. EDGE DISTANCE
- TYPE E.** 5/16" DIA. SMS OR MACHINE BOLTS (MIN. GRADE 2 CRS) OR ST/ST INTO METAL STRUCTURES (STEEL OR ALUMINUM 1/8" MIN. THICK.)
- 5/8" MIN. EDGE DISTANCE
- STEEL : Fy = 36 KSI MIN.
- ALUMINUM : 6063-T6 MIN.
- (STEEL IN CONTACT WITH ALUMINUM TO BE PLATED OR PAINTED)
- TYPE G.** WIRE ANCHOR (Fy =60 KSI) MIN. 10" LONG
- 0.173 DIA. STEEL WIRE ANCHORS EMBED INTO 2000 PSI CONCRETE BLOCK (HEADER/JAMB TO BE GROUTED WITH 2000 PSI CONCRETE)

PRODUCT REVISED
 as complying with the Florida Building Code
NOA-No. 20-1230.10
Expiration Date 07/14/2025
 By Ishag I. Chank
Miami-Dade Product Control

NO.	DATE	DESCRIPTION
1	7/13/10	AS PER BCCO
2	3/04/20	TO FBC 2017
3	11/24/20	TO FBC 2020

MCY ENGINEERING, INC.
 GLAZING CONSULTANTS
 12781 Miramar Parkway #301 P: (305)271-0117
 Miramar, FL 33027
 www.MCYEngineering.com mcy@mcyengineering.com

GENSTORM OUTSWING SINGLE DOOR SYSTEM - LMI
gensteeldoors
 www.gensteeldoors.com
 4950 Hickmore, St. Laurent, Quebec, Canada, H4T1K6
 Tel: (514) 733-3562 Fax: (514) 733-1932

MIAMI DADE COUNTY

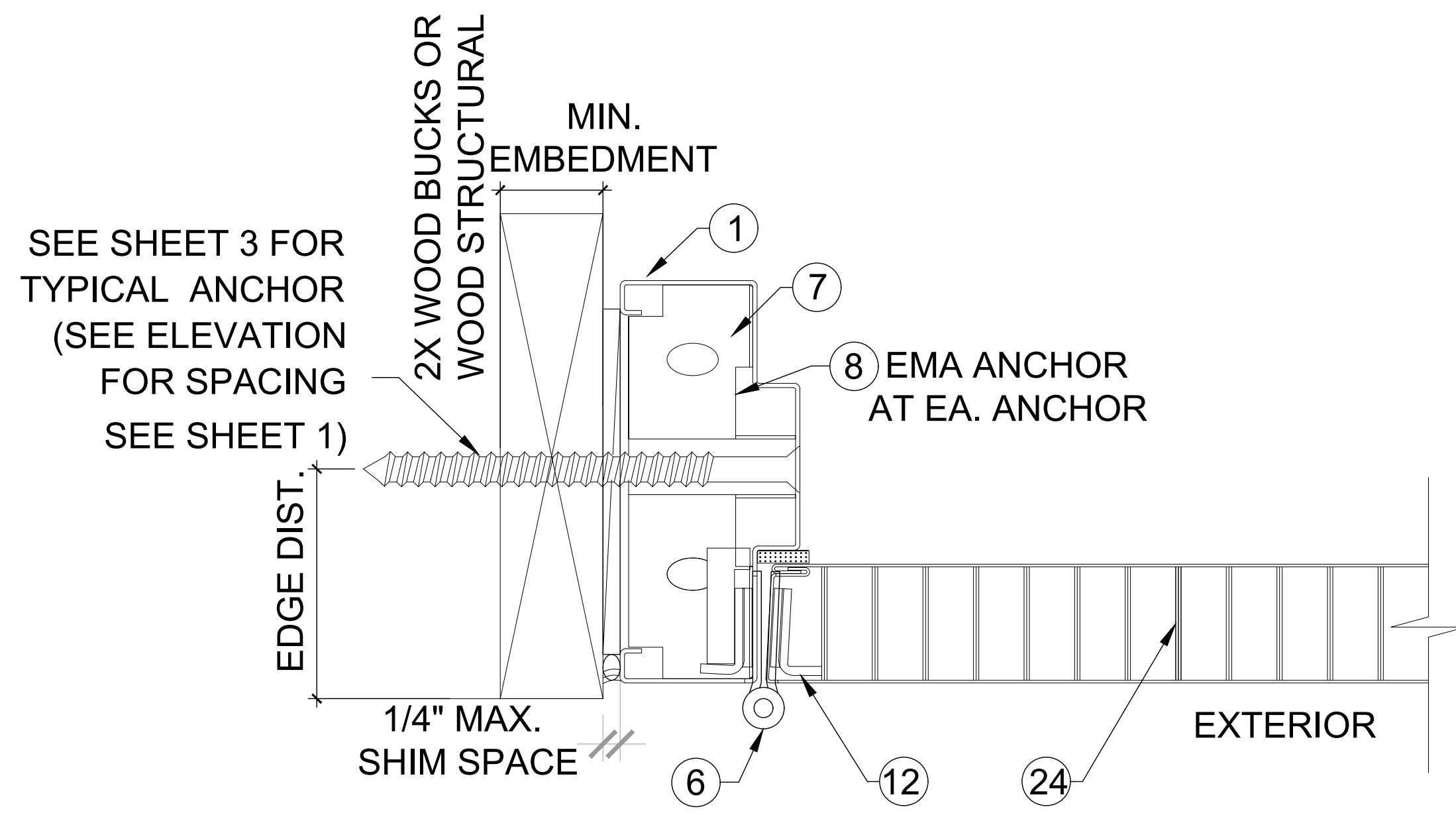
December 24th, 2020

YIPING WANG
 PROFESSIONAL ENGINEER
 FLORIDA
 No 55983
 C.A.N. 2867

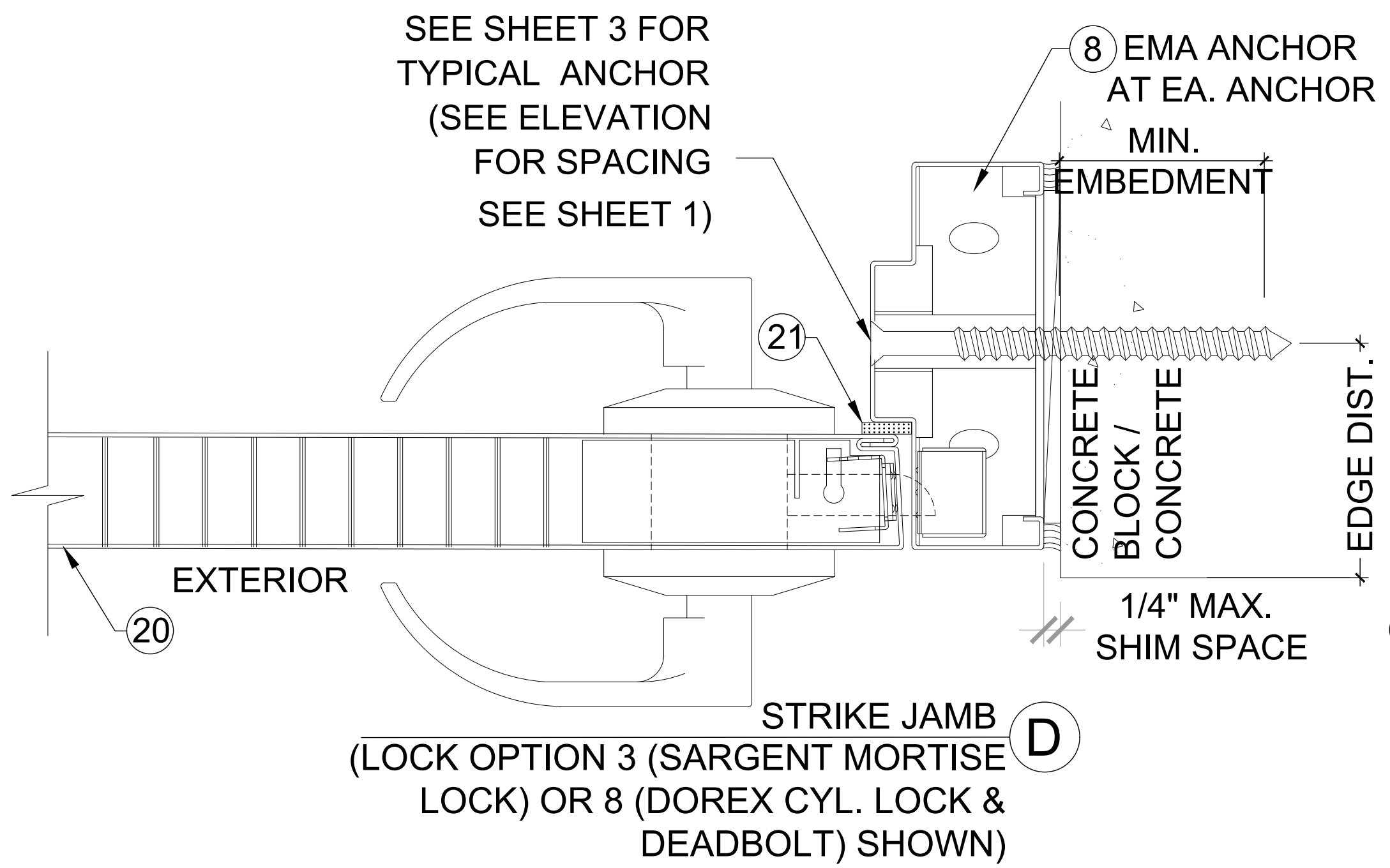
DATE	11/24/2020
SCALE	NTS.
DRAWN	C.Y.
PROJECT	10-01

DRAWING NO.
AD10-02

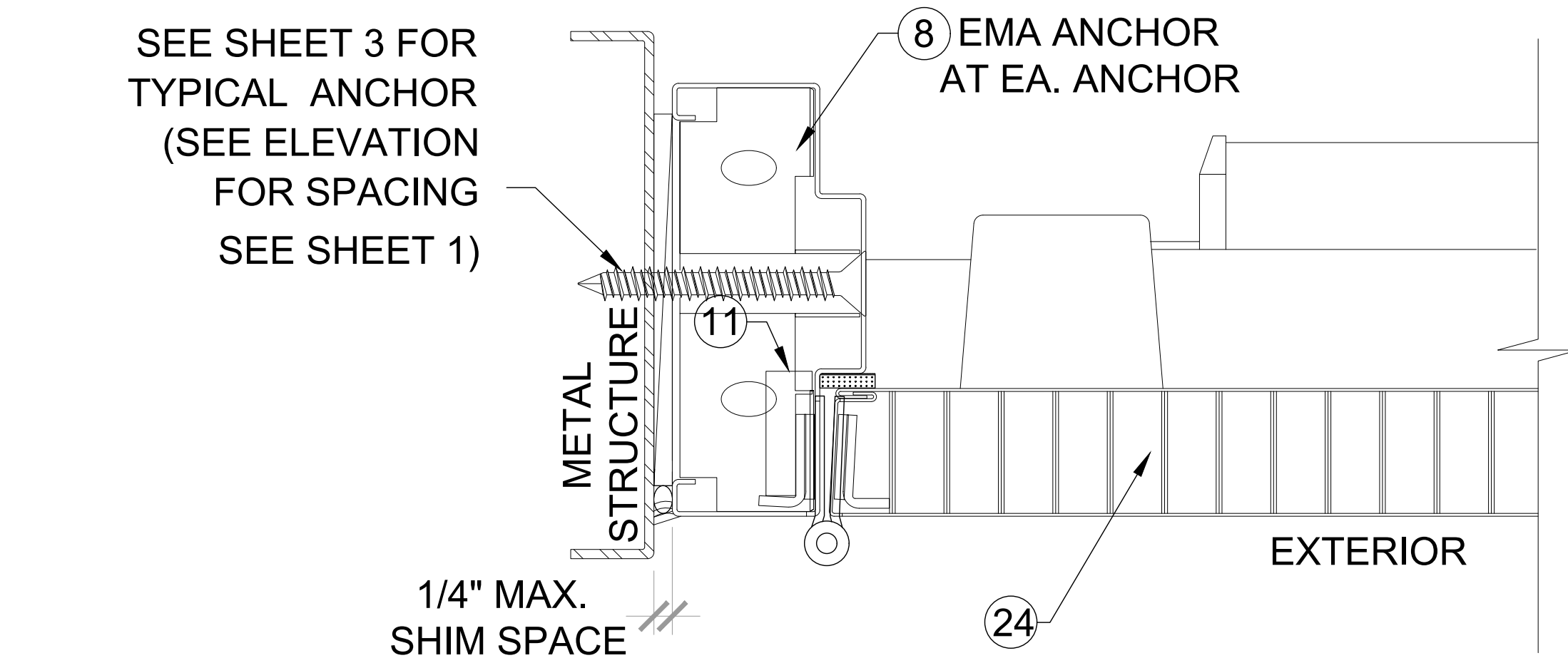
SHEET 3 OF 7



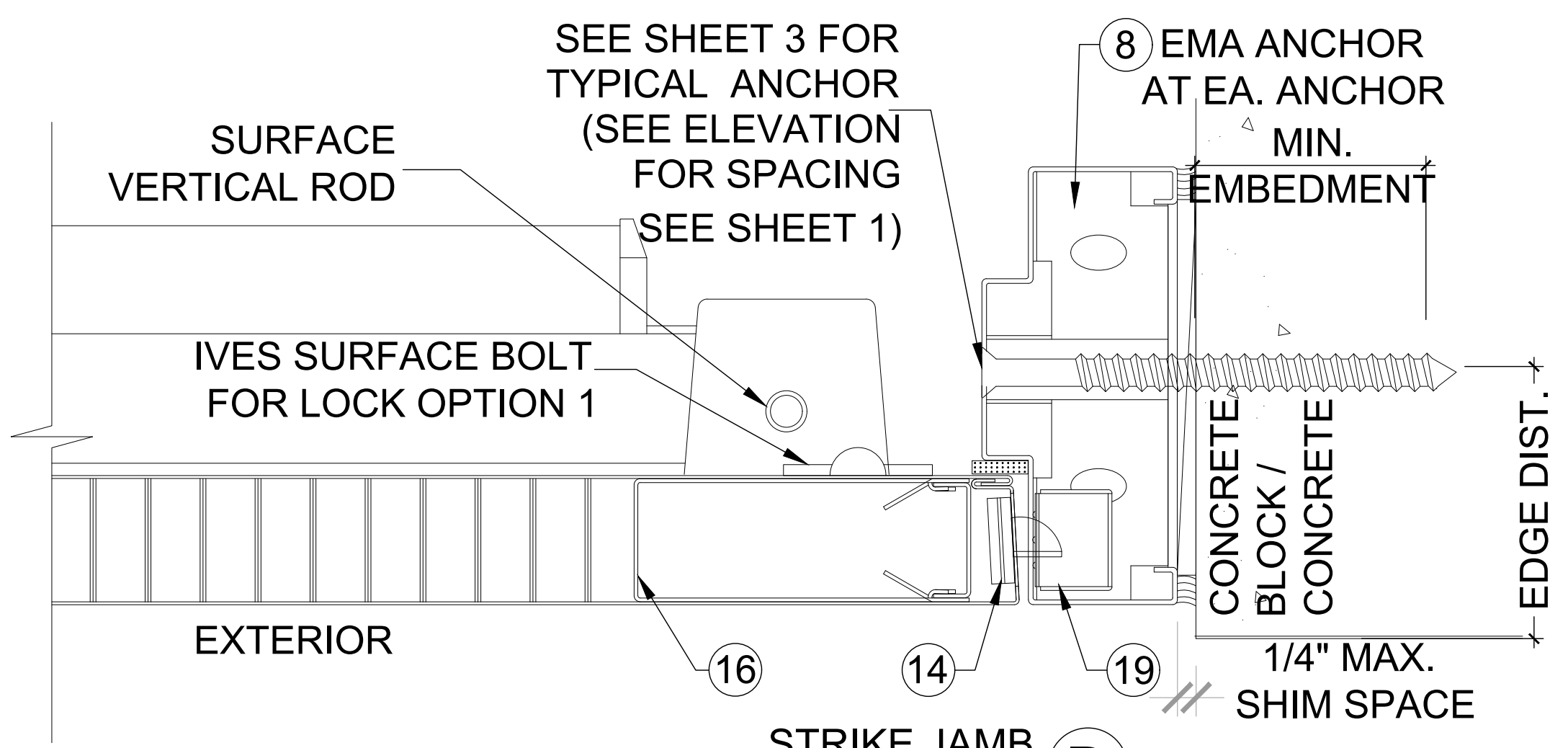
HINGE JAMB
DETAIL C



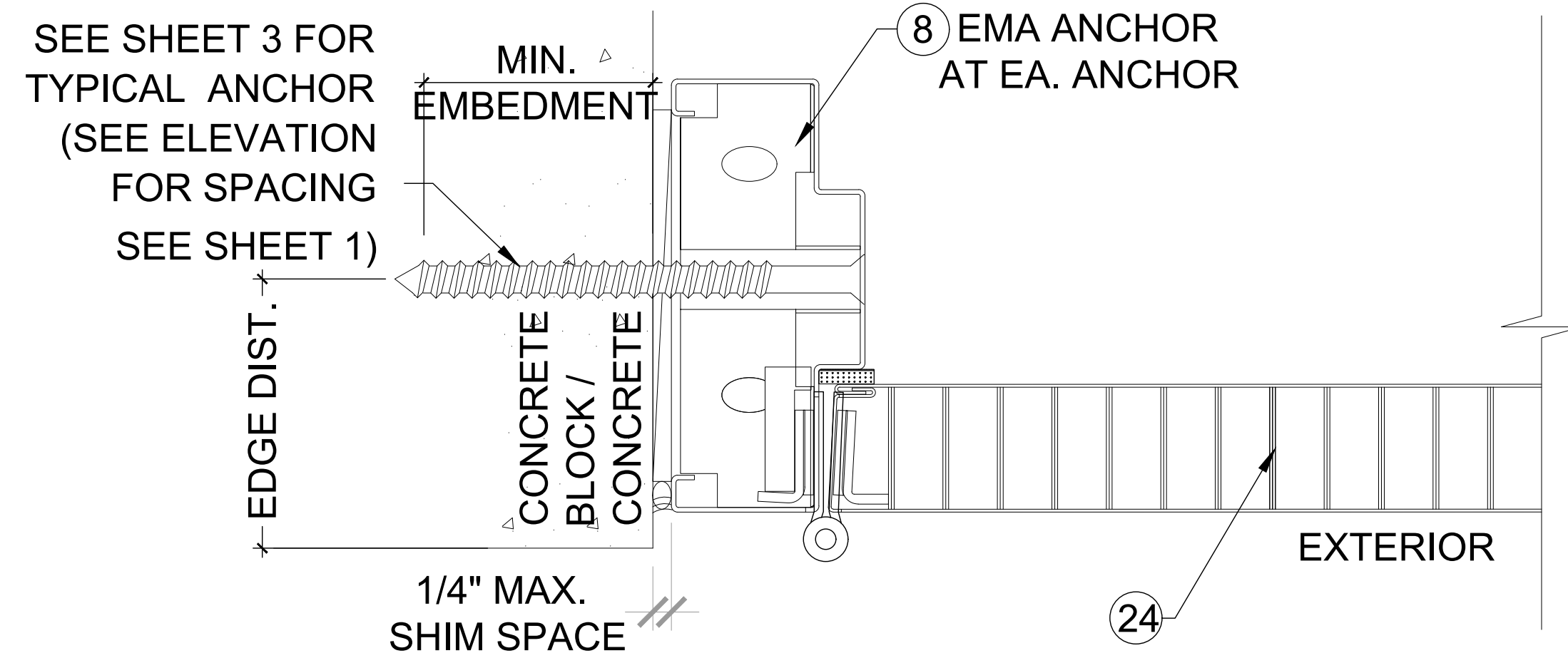
STRIKE JAMB
(LOCK OPTION 3 (SARGENT MORTISE
LOCK) OR 8 (DOREX CYL. LOCK &
DEADBOLT) SHOWN) D



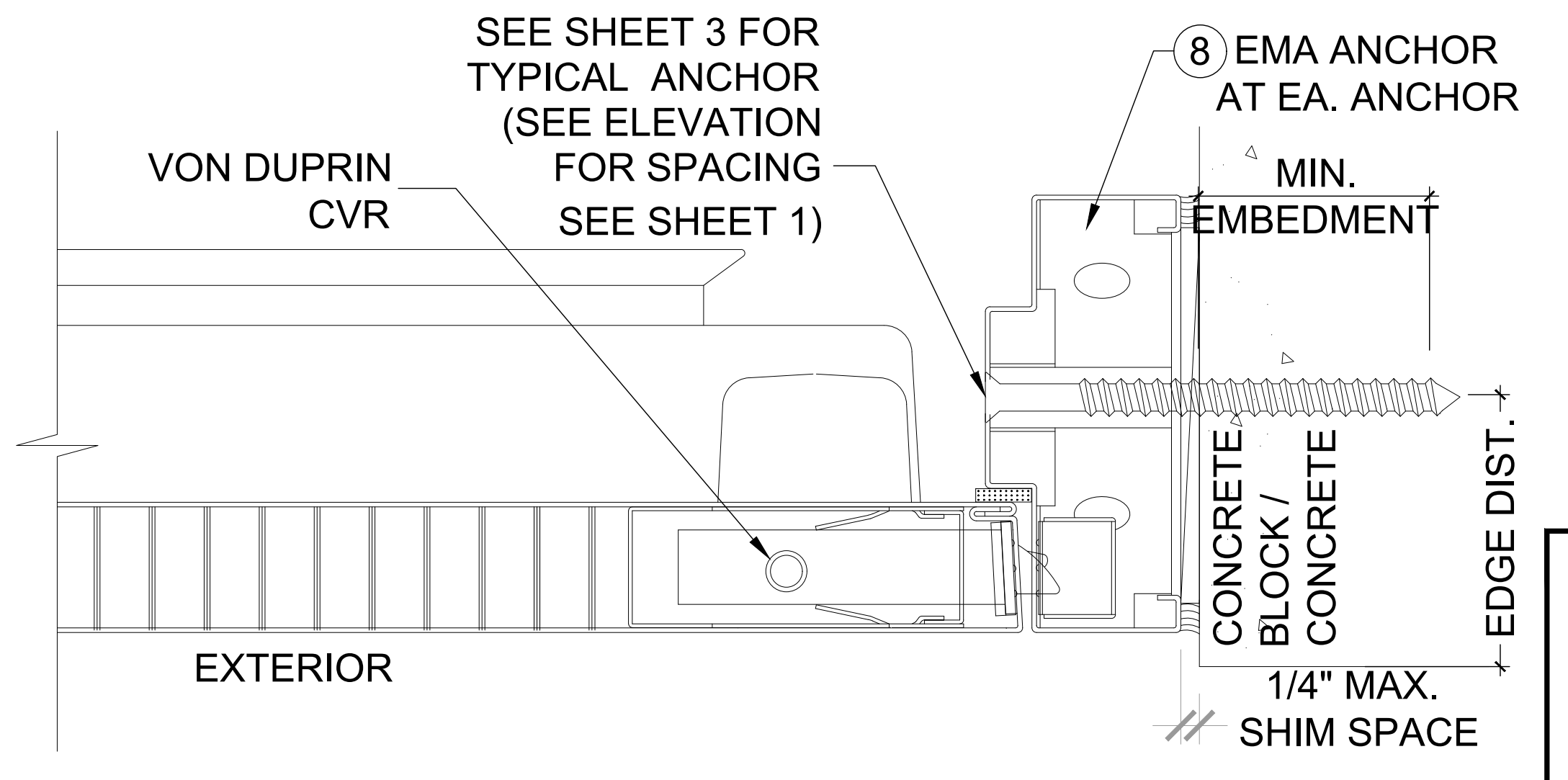
HINGE JAMB
DETAIL C



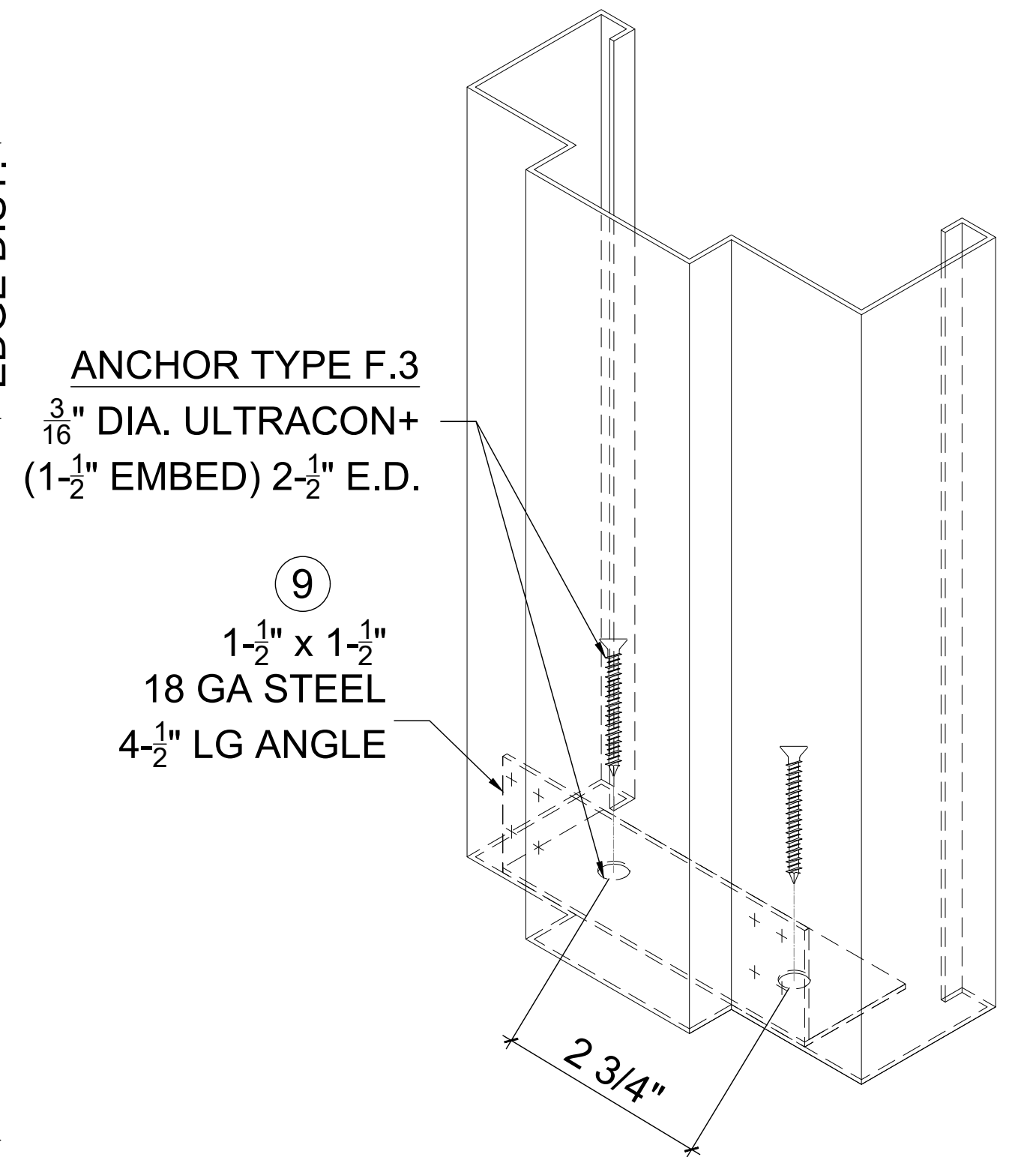
STRIKE JAMB
(LOCK OPTION 1 (VON DUPRIN SVR & IVES
SURFACE BOLT), 5 (PRECISION CVR) OR 6
(PRECISION SVR) SHOWN) D



HINGE JAMB
DETAIL C



STRIKE JAMB
(LOCK OPTION 7 SHOWN) D



PRODUCT REVISED
as complying with the Florida
Building Code
NOA-No. 20-1230.10
Expiration Date 07/14/2025
By Ishag I. Chank
Miami-Dade Product Control

SVR = SURFACE VERTICAL ROD
CVR = CONCEALED VERTICAL ROD

NO.	DATE	DESCRIPTION
1	7/13/10	AS PER BCCO
2	3/04/20	TO FBC 2017
3	11/24/20	TO FBC 2020

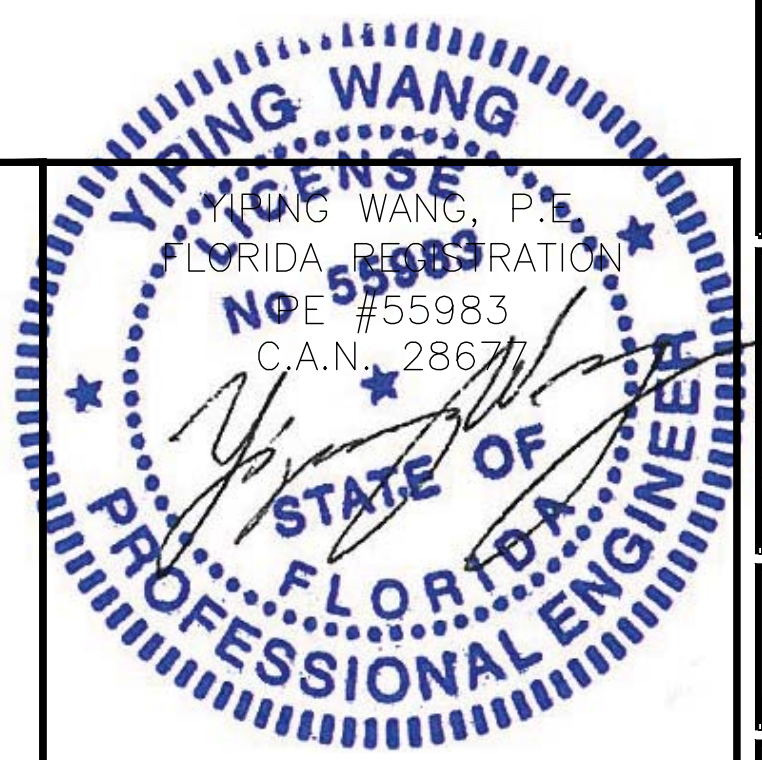
MCY ENGINEERING, INC.
GLAZING CONSULTANTS
12781 Miramar Parkway #301 P: (305)271-0117
Miramar, FL 33027
www.MCYEngineering.com mcy@mcyengineering.com

GENSTORM OUTSWING SINGLE DOOR SYSTEM - LMI
Gensteeldoors
www.gensteeldoors.com
4950 Hickmore, St. Laurent, Quebec, Canada, H4T1K6
Tel: (514) 733-3562 Fax: (514) 733-1932

DATE	11/24/2020
SCALE	NTS.
DRAWN	C.Y.
PROJECT	10-01

DRAWING NO.
AD10-02

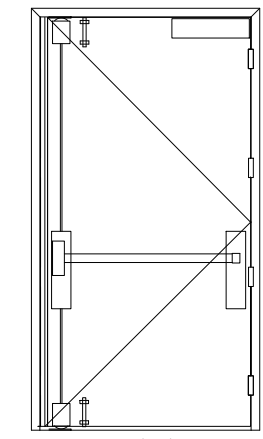
SHEET 4 OF 7



MIAMI DADE COUNTY

December 24th, 2020

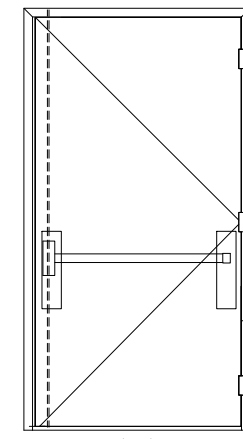
LOCK OPTIONS



OPTION 1

- VON DUPRIN 9847EO SURFACE VERTICAL ROD WITH #229 STRIKE USING SIX #9x25mm (1") MACHINE SCREWS AND TWO #14x25mm (1") MACHINE SCREWS SEALED WITH "GE SILICONE II"
 - "IVES" SB453 SURFACE MOUNT MANUALLY OPERATED FLUSH BOLT. TO BE FASTENED WITH (2) 10 x 1-1/2" TEKS SCREW + (2) 14x1 1-1/4" MS

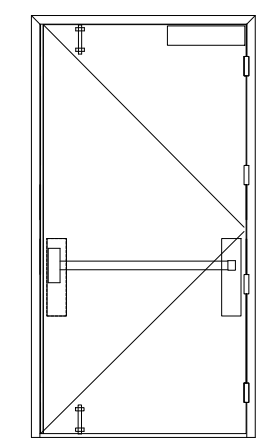
DESIGN LOAD
 +65.0 PSF
 -65.0 PSF



OPTION 5

"PRECISION" HC2800 CONCEALED VERTICAL ROD. SURFACE MOUNT TWO POINT LOCK SYSTEM WITH "PRECISION" PANIC DEVICE WITH (4) 10-24 x 1-1/4". LOCATED 39-1/2" FROM BOTTOM
 (2)-SURFACE MOUNT METALLIC STRIKE PLATE AT HEAD TO BE FASTENED WITH (2) 1/4-20 FH MS

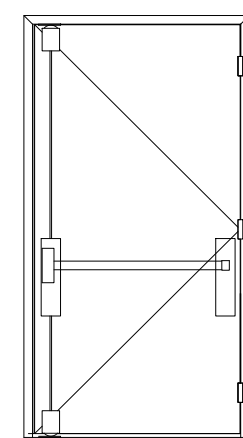
DESIGN LOAD
 +80.0 PSF
 -80.0 PSF



OPTION 2

- "VON DUPRIN" 9875EO MORTISE EXIT WITH (2) 8-32 x 3/8" FH MS. LOCATED 39-3/4" FROM BOTTOM
 - "IVES" SB453 SURFACE MOUNT MANUALLY OPERATED FLUSH BOLT. TO BE FASTENED WITH (2) 10 x 1-1/2" TEKS SCREW + (2) 14x1 1-1/4" MS

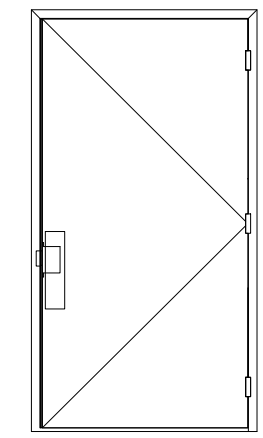
DESIGN LOAD
 +80.0 PSF
 -80.0 PSF



OPTION 6

"PRECISION" HC2200 SURFACE VERTICAL ROD. (4) 10-24 x 1-1/4" OH MS. LOCATED 39-3/4" FROM BOTTOM

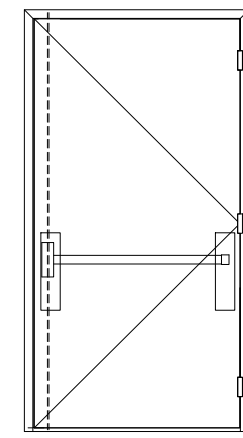
DESIGN LOAD
 +80.0 PSF
 -80.0 PSF



OPTION 3

"SARGENT" 8200 SURFACE MOUNT MORTISE LOCK WITH HANDLE. WITH SURFACE MOUNT METALLIC DEAD-BOLT. LOCATED 38" FROM BOTTOM WITH (2) 8-32 x 1/4" FH MS

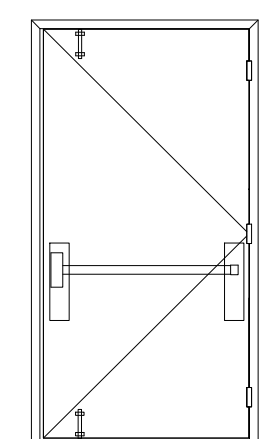
DESIGN LOAD
 +65.0 PSF
 -65.0 PSF



OPTION 7

"VON DUPRIN" 9847 CONCEALED VERTICAL ROD WITH PANIC DEVICE WITH (2) 8-32 x 3/8" FH MS. LOCATED 39-3/4" FROM BOTTOM

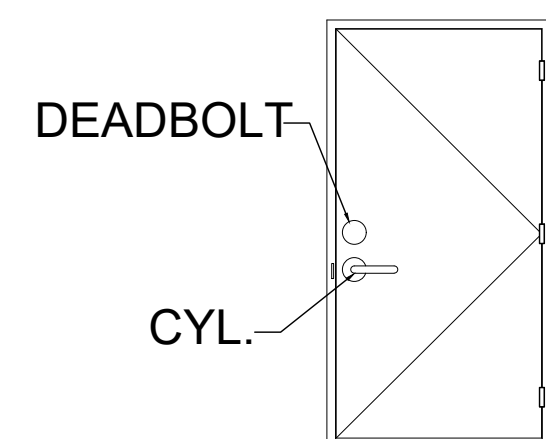
DESIGN LOAD
 +80.0 PSF
 -80.0 PSF



OPTION 4

"PRECISION" HC2300 MORTISE PANIC EXIT. SURFACE MOUNT MANUALLY OPERATED FLUSH BOLT AT TOP AND BOTTOM. WITH (4) 10 x 1-1/4" FH SMS

DESIGN LOAD
 +65.0 PSF
 -65.0 PSF



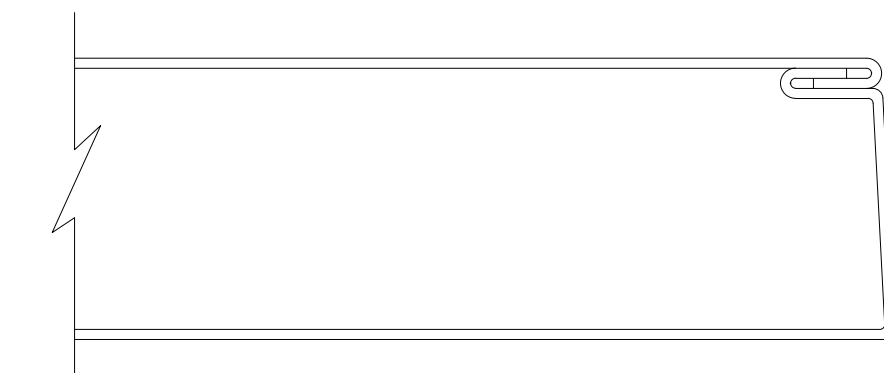
OPTION 8

"DOREX" FC 10 SERIES LEVER LOCK.
 "DOREX" HFA51 DEADBOLT

DESIGN LOAD
 +80.0 PSF
 -80.0 PSF

SINGLE DOOR

HINGES: STEEL MORTISE HINGES 3 PER LEAF. LOCATED AT 9-5/8" MAX. FROM TOP OF DOOR TO CENTER LINE OF HINGE. AND TO BE SPACED OUT 31-15/16" MAX. FROM CL TO CL OF HINGE. TO BE FASTENED BY #12-24 x 1/2" FLATHEAD MACHINE SCREWS.



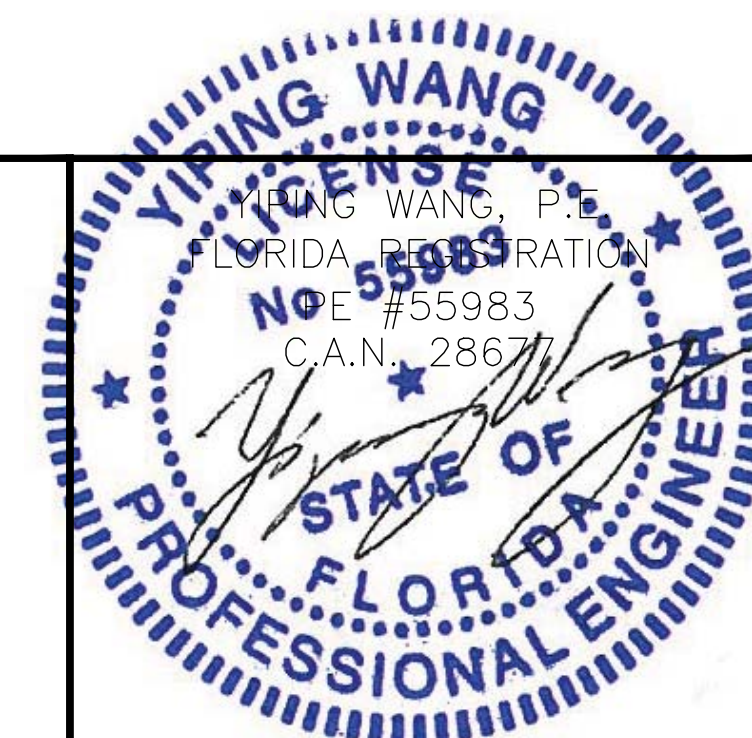
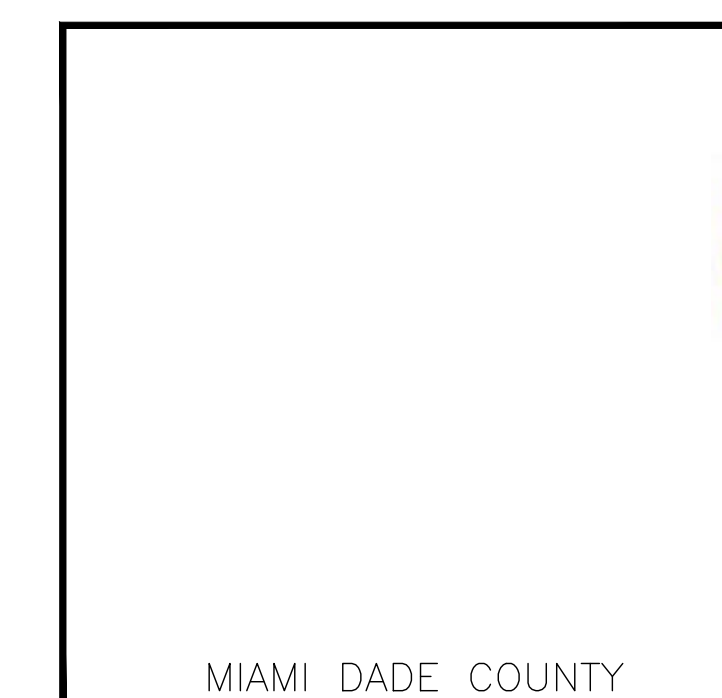
DOOR EDGE CONSTRUCTION

PRODUCT REVISED
 as complying with the Florida Building Code

NOA-No. 20-1230.10

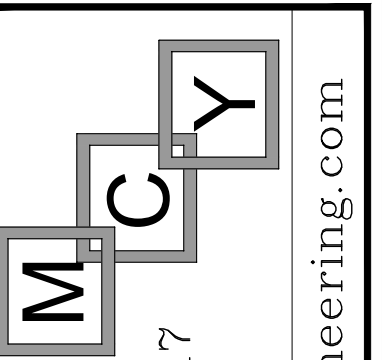
Expiration Date 07/14/2025

By Isaac I. Chando
 Miami-Dade Product Control



December 24th, 2020

NO.	DATE	DESCRIPTION
1	7/13/10	AS PER BCCO
2	3/04/20	TO FBC 2017
3	11/24/20	TO FBC 2020



MCY ENGINEERING, INC.
 GLAZING CONSULTANTS

12781 Miramar Parkway #301 P: (305)271-0117
 Miramar, FL 33027

www.MCYengineering.com mcy@mcyengineering.com

GENSTORM OUTSWING SINGLE DOOR SYSTEM - LMI

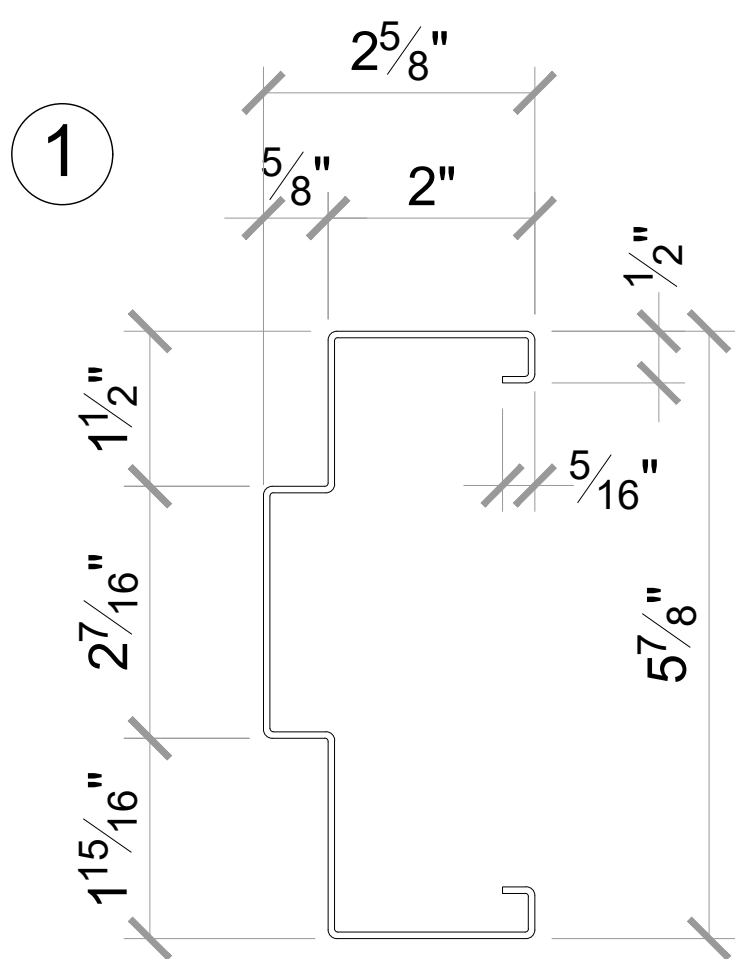
Gensteeldoors
 www.gensteeldoors.com

4950 Hickmore, St. Laurent, Quebec, Canada, H4T1K6
 Tel: (514) 733-3562 Fax: (514) 733-1932

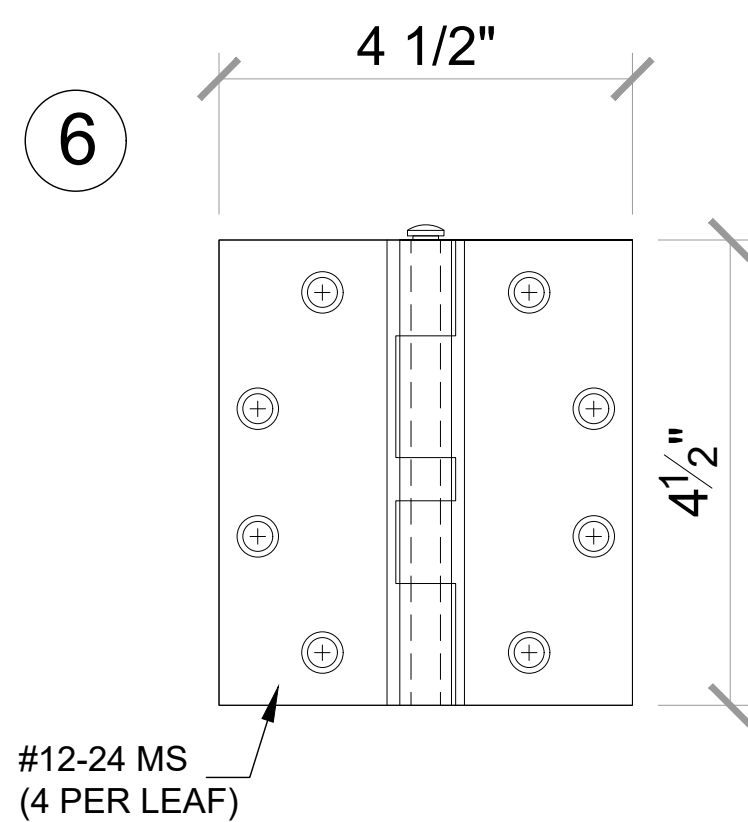
DATE	11/24/2020
SCALE	NTS.
DRAWN	C.Y.
PROJECT	10-01

DRAWING NO.
 AD10-02

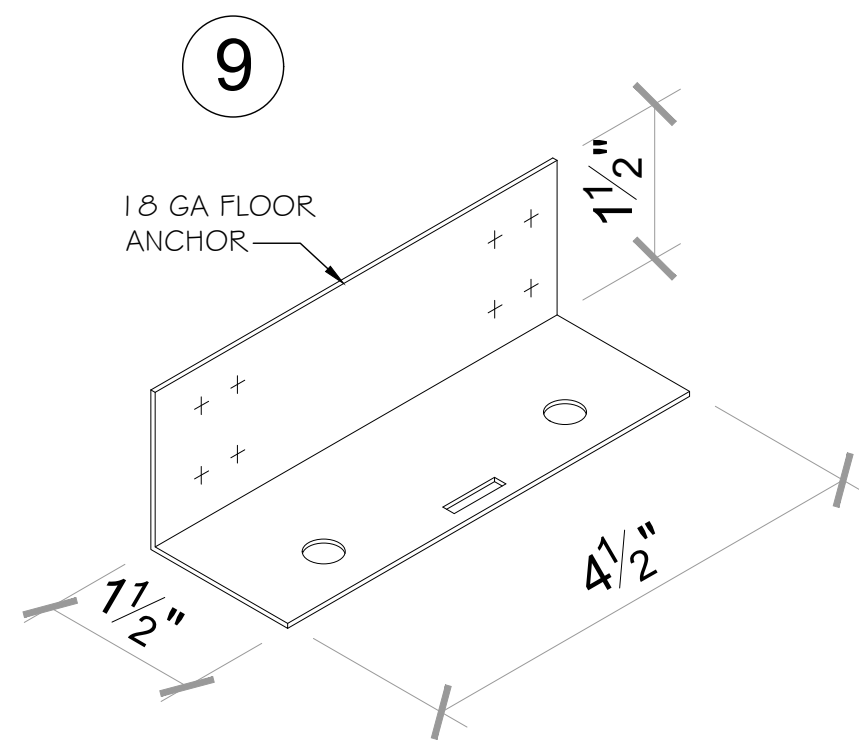
SHEET 5 OF 7



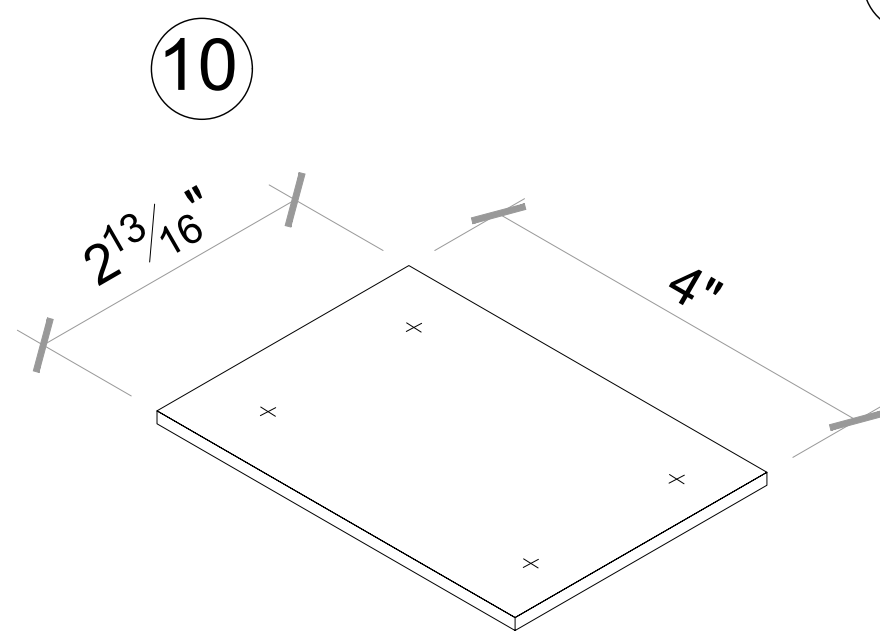
18 GA DOOR FRAME JAMB AND HEAD



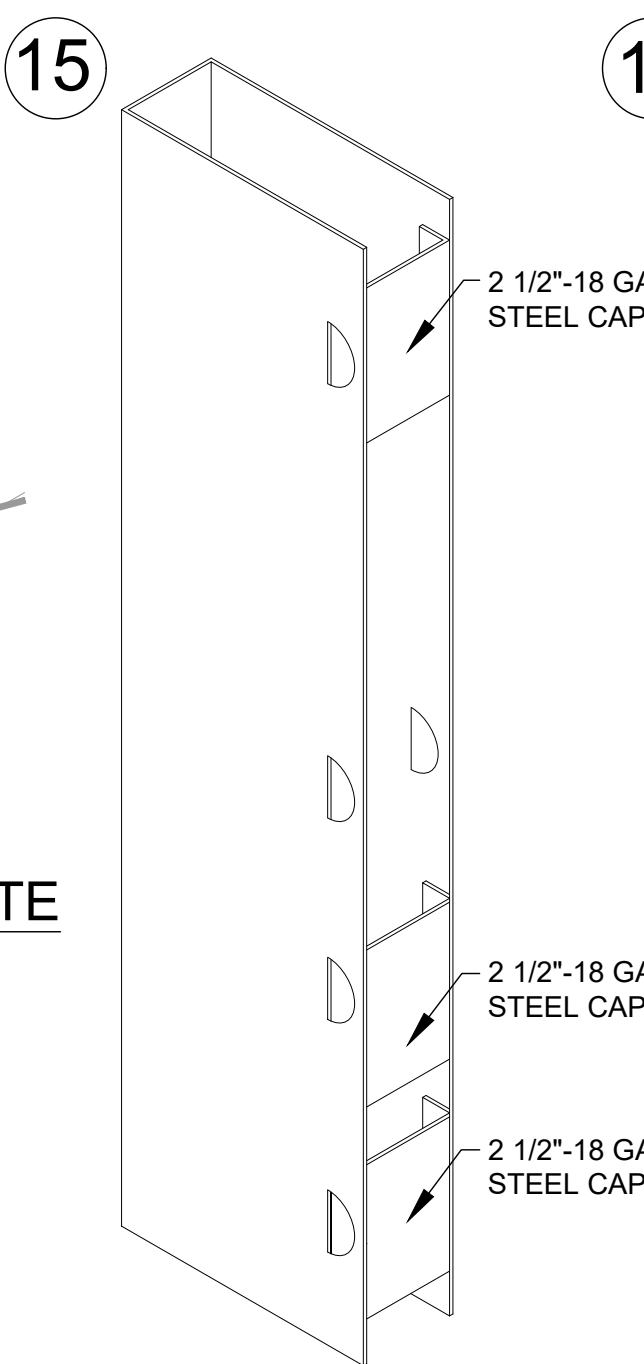
.134" THICK STEEL HINGE



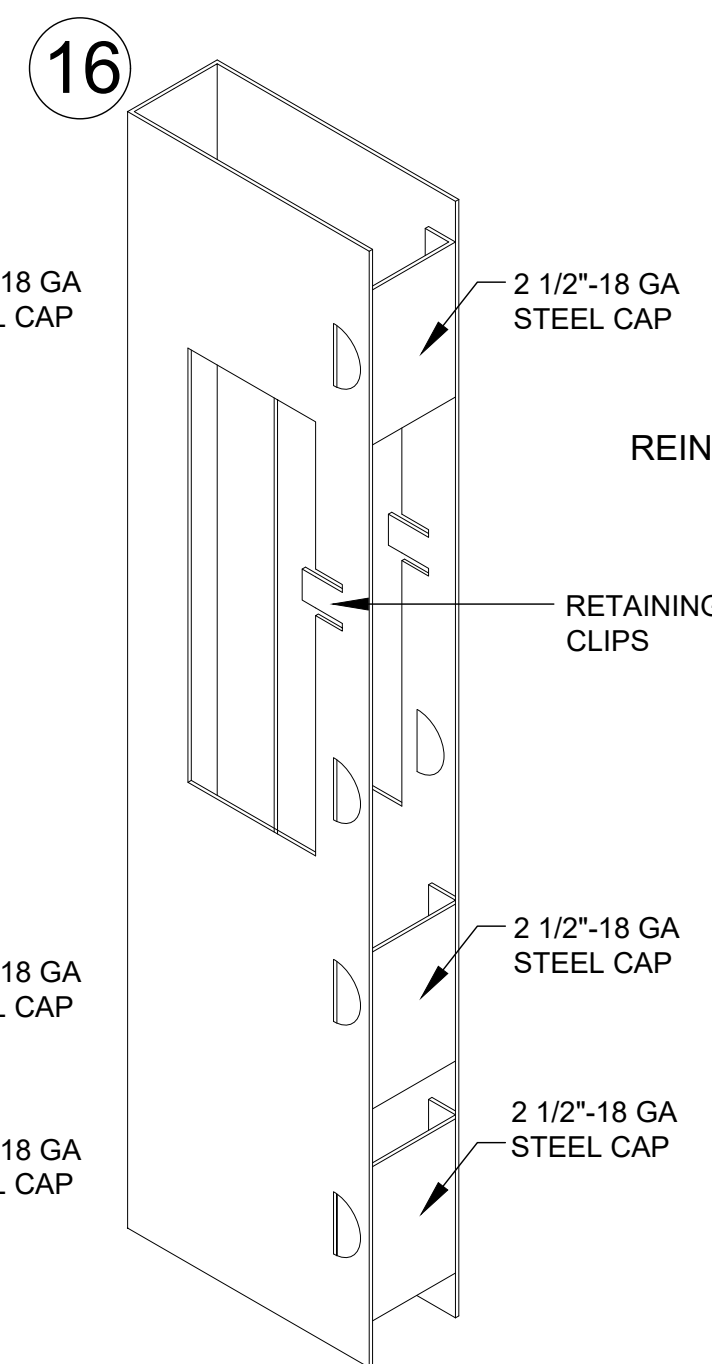
FA1040 FLOOR ANCHOR



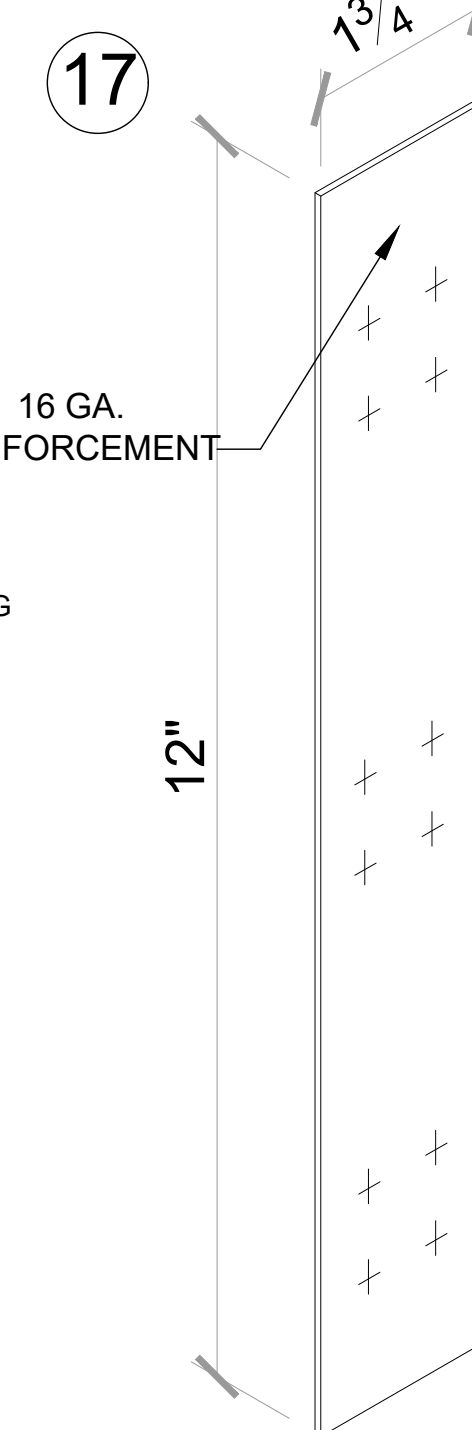
12 GA. REINFORCEMENT PLATE



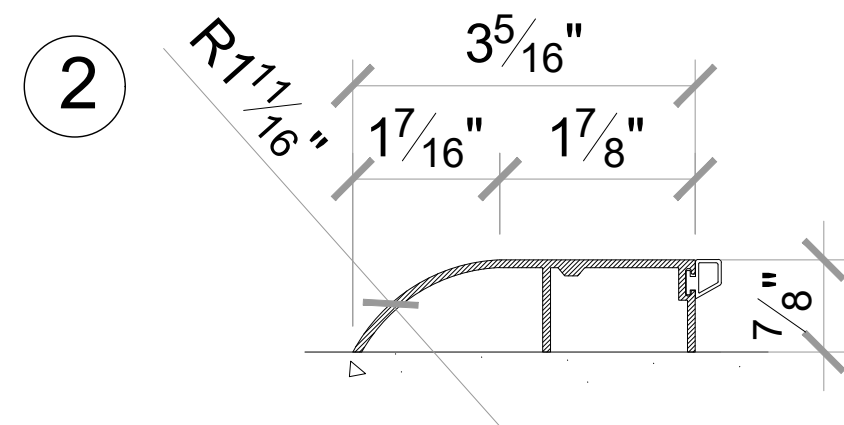
PART No. DC1000 & DR1000
18 GA CLOSER BOX REINFORCEMENT



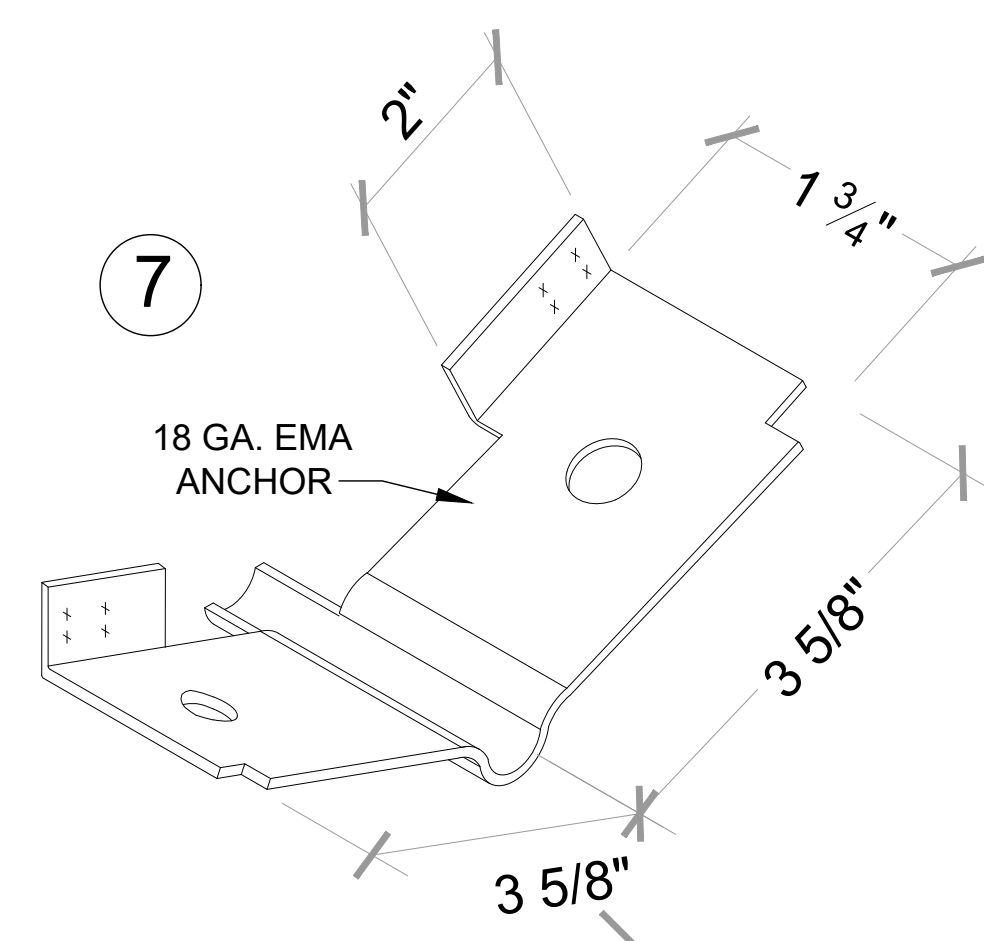
PART No. DR1010
18GA MORTISE BOX REINFORCEMENT



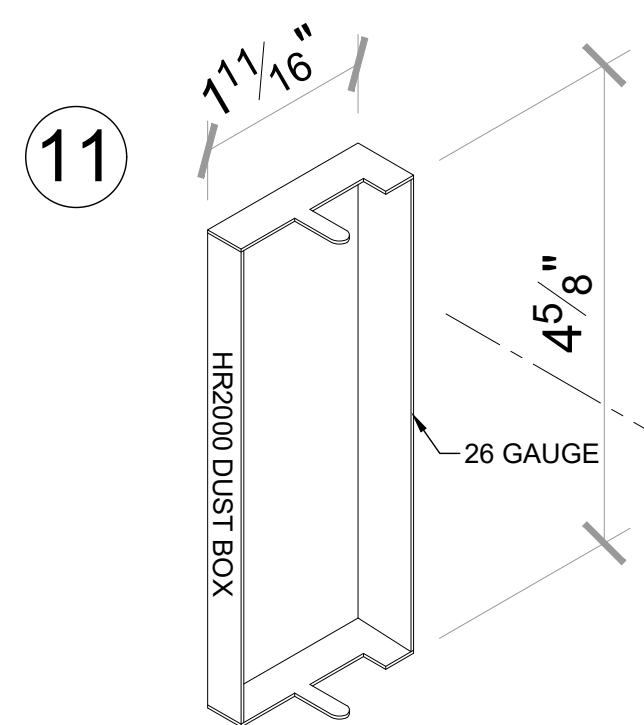
FR1200 FRAME REINFORCEMENT



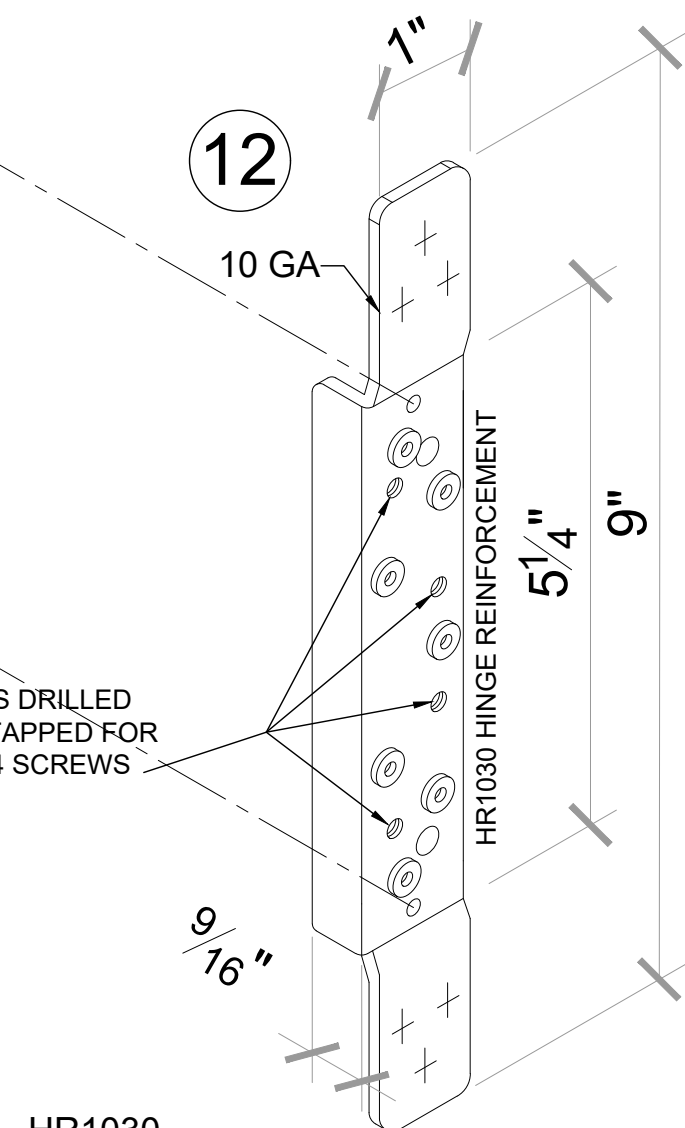
THRESHOLD



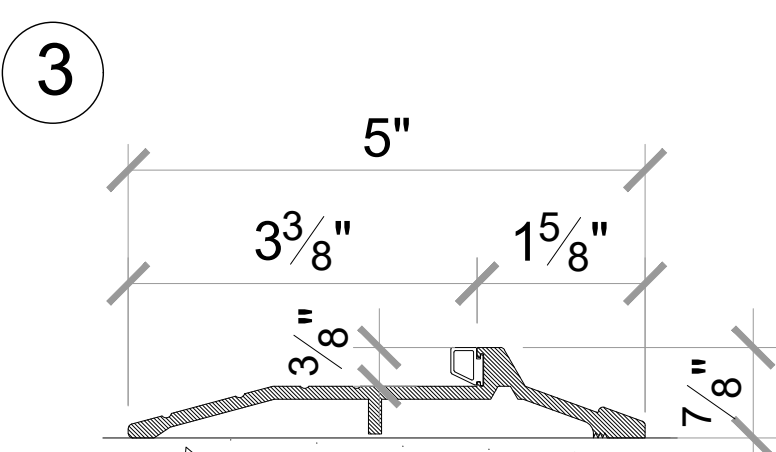
FA3010 EMA ANCHOR
Fy = 60 KSI



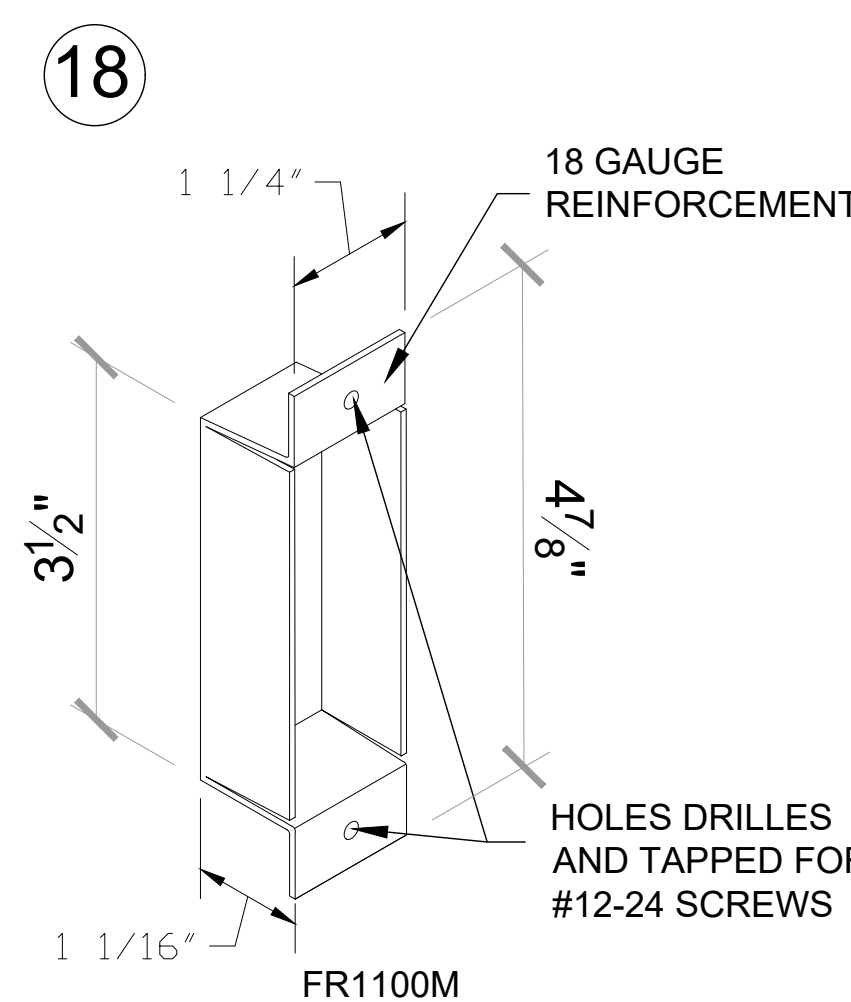
HR2000 DUST BOX



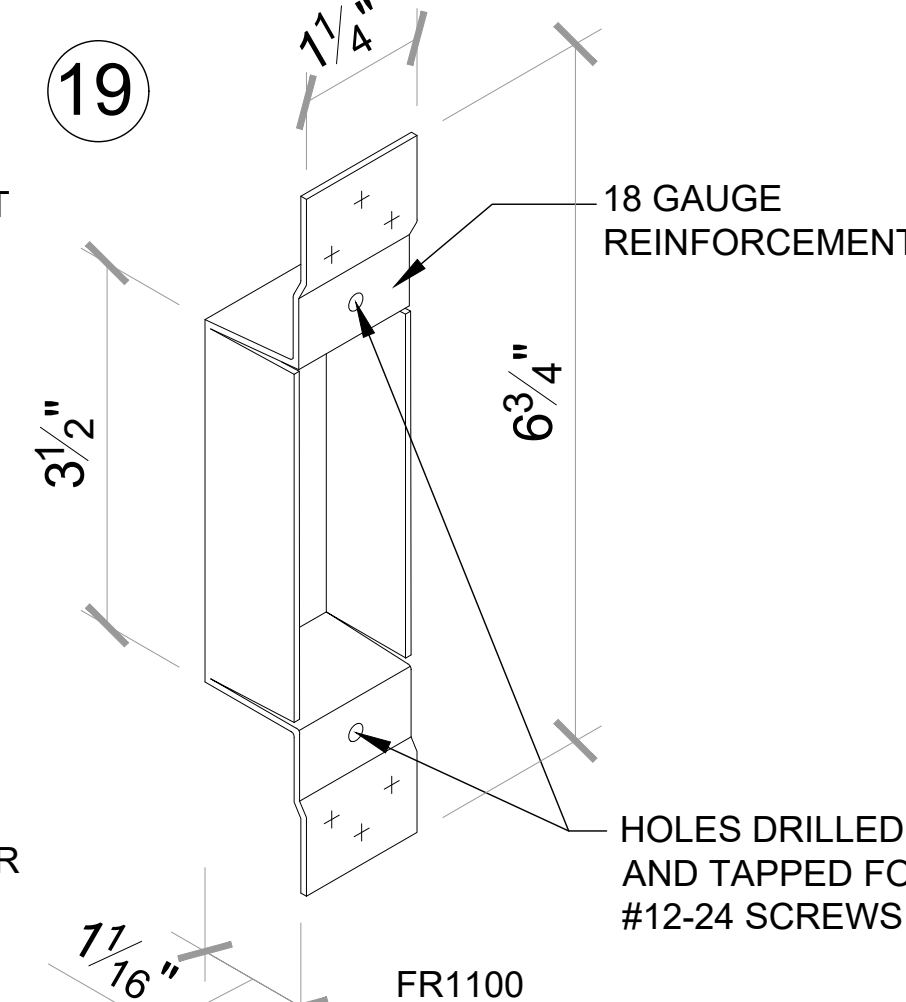
HR1030 10 GA HINGE REINFORCEMENT



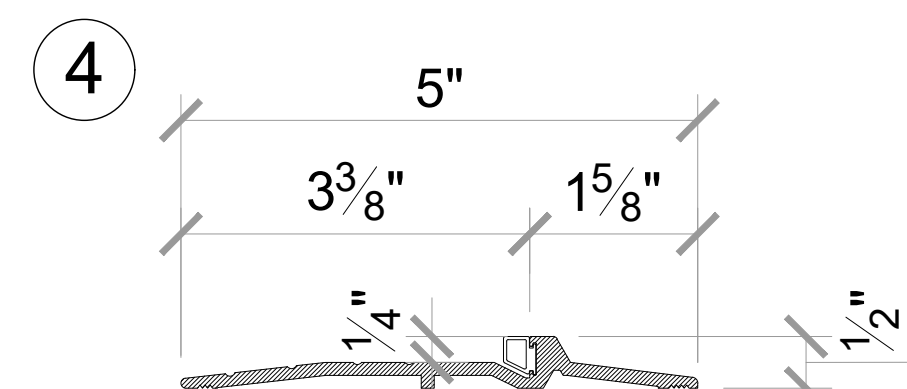
THRESHOLD



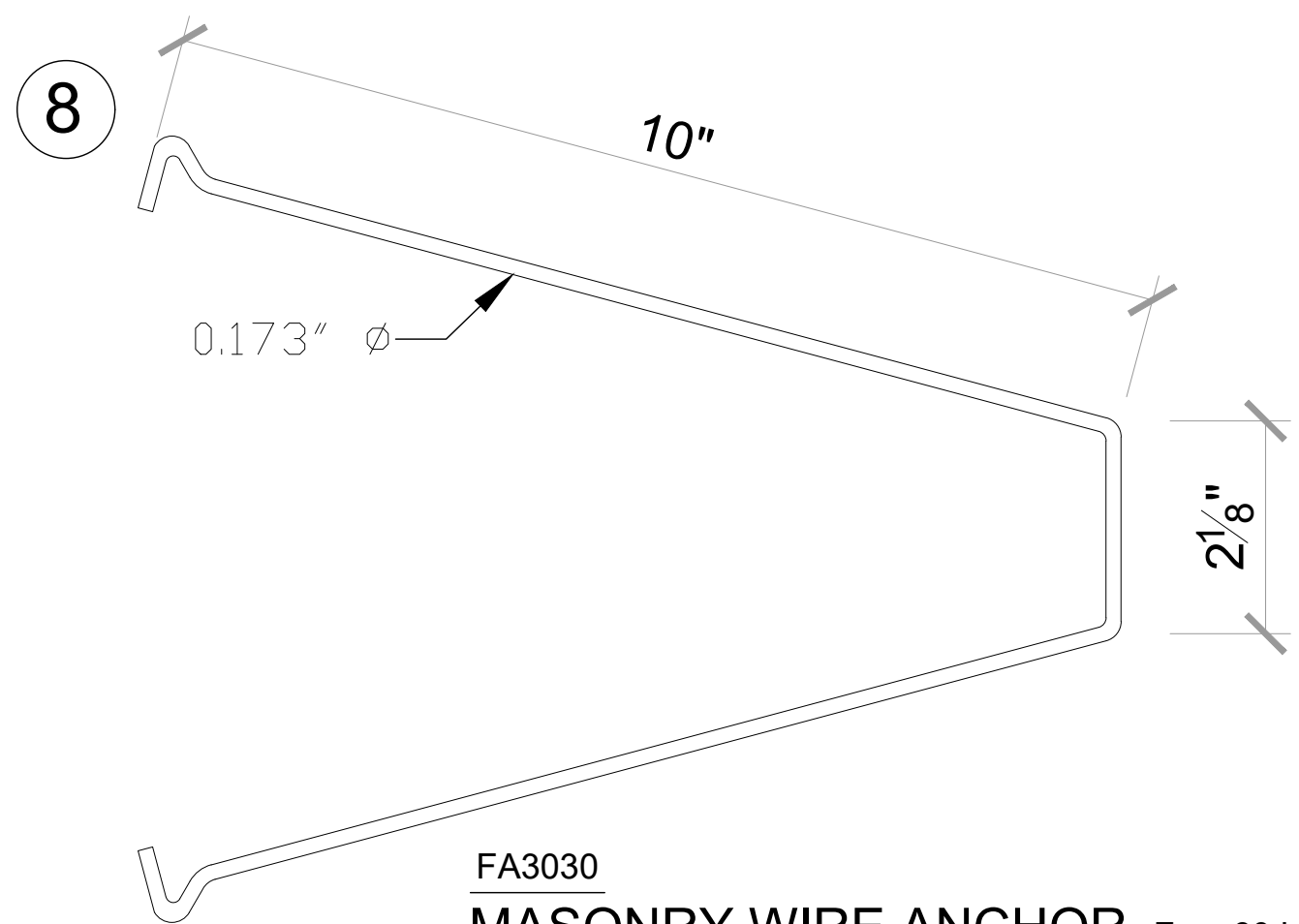
FR1100M STRIKE DUSK BOX



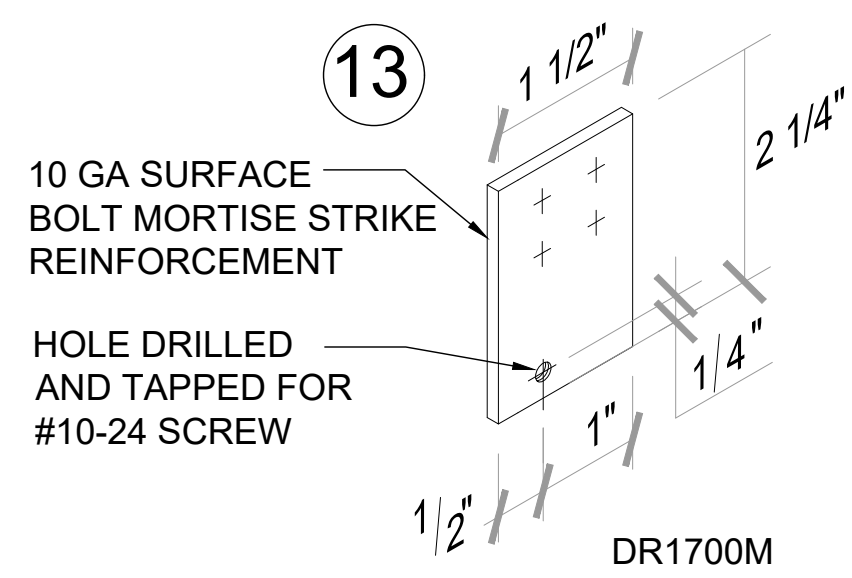
FR1100 ASA STRIKE BOX REINFORCEMENT



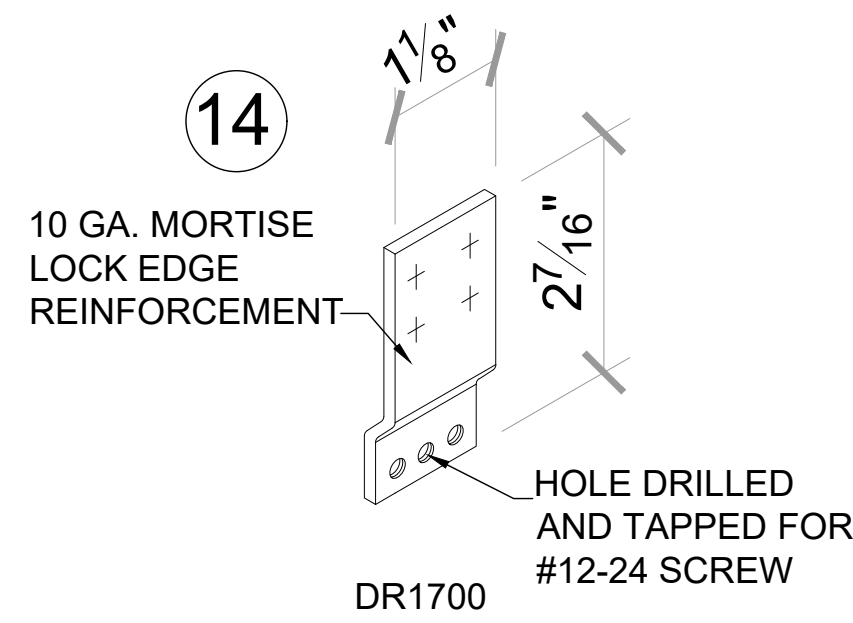
OPTIONAL THRESHOLD



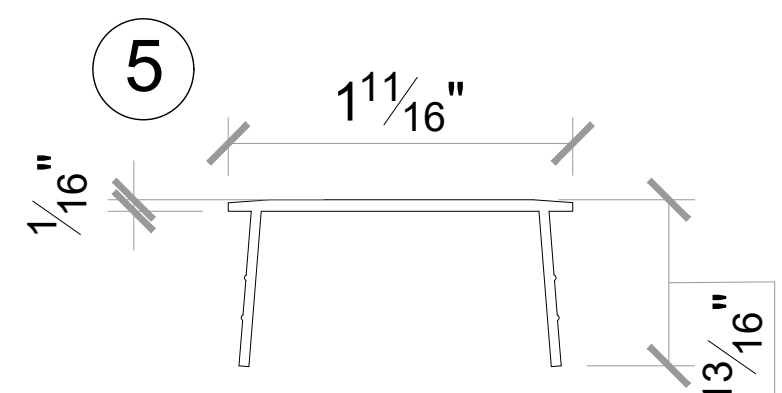
FA3030 MASONRY WIRE ANCHOR Fy = 60 ksi



DR1700M SURFACE BOLT STRIKE REINFORCEMENT



DR1700 MORTISE LOCK EDGE REINFORCEMENT

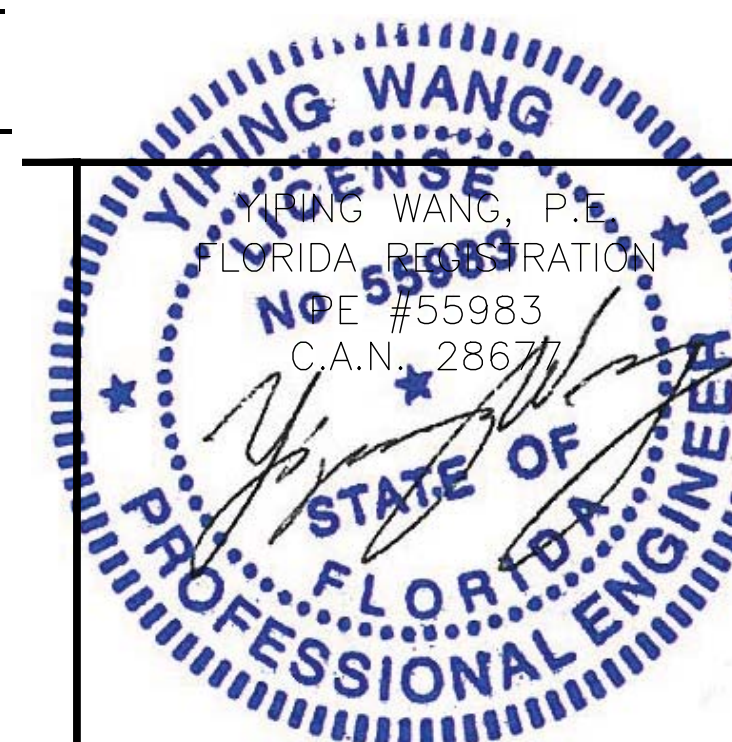


VINYL CAP

PRODUCT REVISED
as complying with the Florida Building Code
NOA-No. 20-1230.10

Expiration Date 07/14/2025

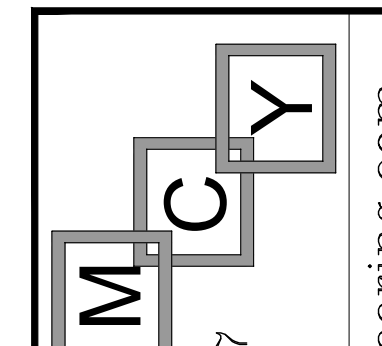
By *Ishag I. Chank*
Miami-Dade Product Control



MIAMI DADE COUNTY

December 24th, 2020

NO.	DATE	DESCRIPTION
1	7/13/10	AS PER BCCO
2	3/04/20	TO FBC 2017
3	11/24/20	TO FBC 2020



MCY ENGINEERING, INC.
GLAZING CONSULTANTS

12781 Miramar Parkway #301 P: (305)271-0117
Miramar, FL 33027
www.MCYEngineering.com mcy@mcyengineering.com

GENSTORM OUTSWING SINGLE DOOR SYSTEM - LMI
Gensteeldoors
www.gensteeldoors.com
4950 Hickmore, St. Laurent, Quebec, Canada, H4T1K6
Tel: (514) 733-3562 Fax: (514) 733-1932

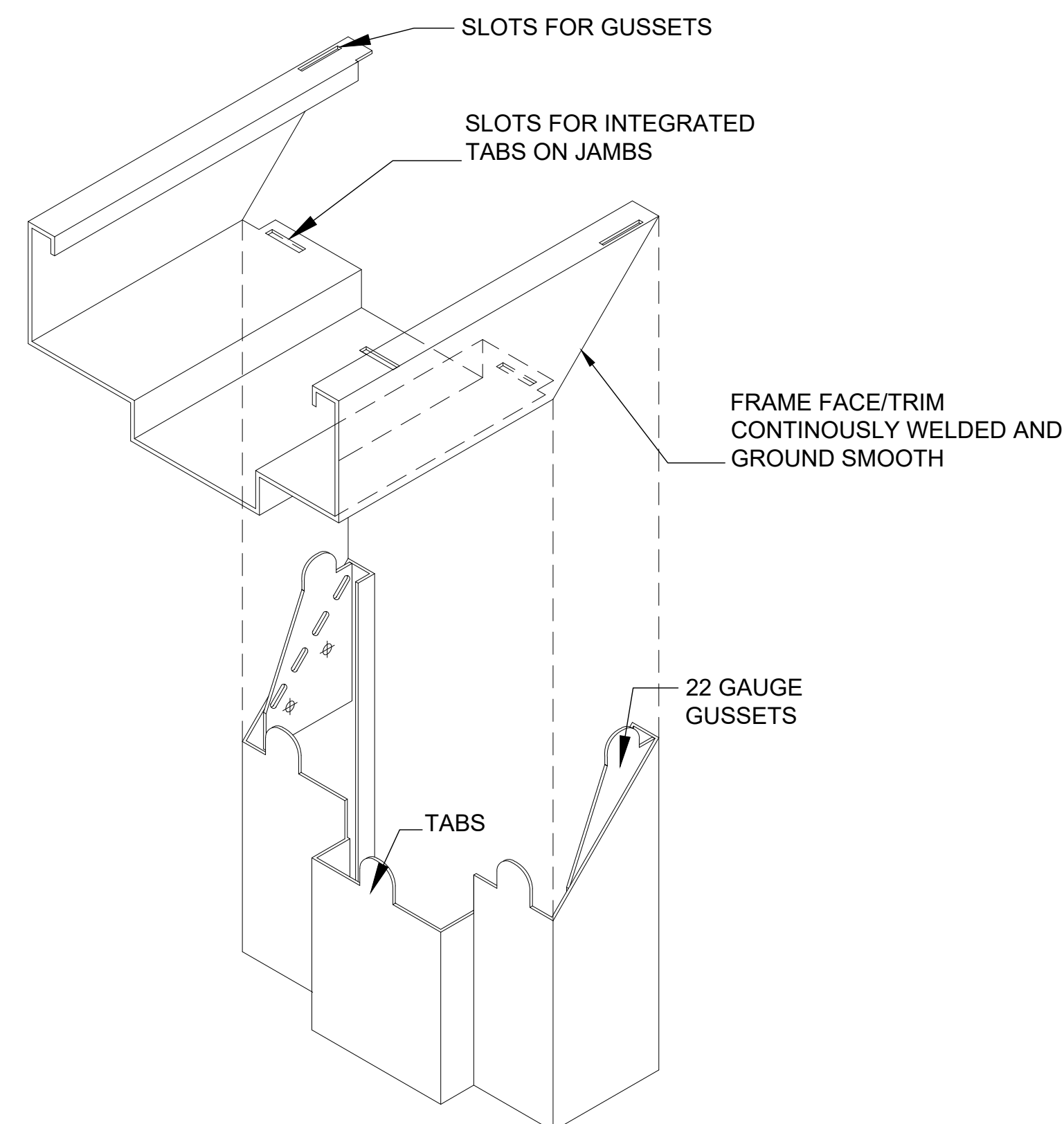
DATE	11/24/2020
SCALE	NTS.
DRAWN	C.Y.
PROJECT	10-01

DRAWING NO.
AD10-02

SHEET 6 OF 7

BILL OF MATERIALS

ITEM	PART No.	MATERIAL	QTY.	DESCRIPTION	MANUFACTURER/SUPPLIER/ REMARKS
1	-	STEEL OR ST/ST	AS REQD.	FRAME HEAD/JAMB (5- $\frac{7}{8}$ " x 2")	18 GA. (0.048MIN.) Fy=48KSI MIN., Fu=53KSI MIN.
2	PMK2051	ALUM.	1	THRESHOLD	PEMKO
3	PMK177A	ALUM.	1	THRESHOLD	PEMKO
4	PMK2005AT	ALUM.	1	THRESHOLD OPTION	PEMKO
5	-	VINYL.	1	VINYL CAP	-
6	HINGE	STEEL	3 PER LEAF	HAGER #179-454-15 HINGE	-
7	FA3010	STEEL	AS REQD.	EMA ANCHOR	GENSTEEL
8	FA3030	STEEL	AS REQD.	MASONRY WIRE ANCHOR	0.173 DIA. Fy= 60 KSI MIN.
9	FA1040	STEEL	2	FLOOR ANCHOR 18 GA. (1- $\frac{1}{2}$ " x 1- $\frac{1}{2}$ " x 4- $\frac{1}{2}$ " LG)	GENSTEEL
10	-	STEEL	AS REQD.	2- $\frac{3}{16}$ " x 4" 12 GA. STEEL REINFORCEMENT	GENSTEEL
11	HR2000	STEEL	3 PER LEAF	HINGE DUST BOX	GENSTEEL
12	HR1030	STEEL (10 GA.)	3 PER LEAF	HINGE REINFORCEMENT WELDED TO FRAME	GENSTEEL
13	DR1700M	STEEL	AS REQD.	SURFACE BOLT MORTISE STRIKE REINFORCEMENT	GENSTEEL
14	DR1700	STEEL	AS REQD.	MORTISE LOCK EDGE REINFORCEMENT WELDED	GENSTEEL
15	DC1000 & DR1000	STEEL	AS REQD.	CLOSER BOX REINFORCEMENT	GENSTEEL
16	DR1010	STEEL	AS REQD.	MORTISE BOX REINFORCEMENT	GENSTEEL
17	FR1200	STEEL	AS REQD.	1- $\frac{3}{4}$ " x 12" 16 GA. FRAME REINFORCEMENT	GENSTEEL
18	FR1100M	STEEL	AS REQD.	STRIKE DUST BOX	GENSTEEL
19	FR1100	STEEL	AS REQD.	ASA STRIKE BOX REINFORCEMENT	GENSTEEL
20	--	STEEL OR ST/ST	AS REQD.	DOOR PANEL	20GA. (0.039 MIN.) Fy=42KSI, Fu=53KSI
21	P 387	-	AS REQD.	PEMKO 387 CLOSED CELL SPONGE WEATHERSTRIP	PEMKO
22	CH3601	STEEL	2	DOOR END CHANNEL	GENSTEEL
23	2100	ALUM.	AS REQD.	DOOR SWEEP	UNIQUE
24	HONEYCOMB	STEEL	AS REQD.	INSIDE OF DOOR PANEL	GENSTEEL



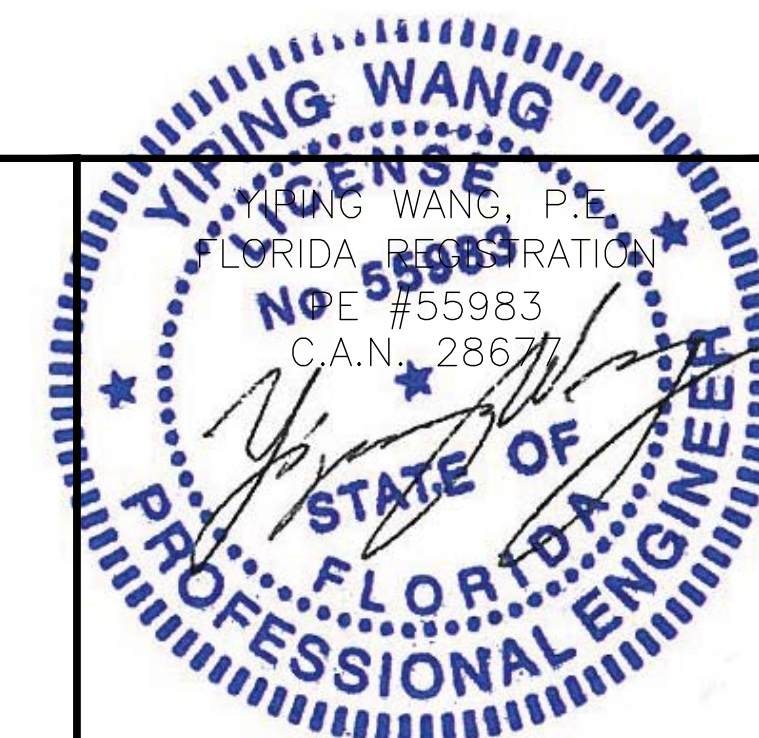
CORNER FRAME CONSTRUCTION

PRODUCT REVISED
as complying with the Florida Building Code

NOA-No. 20-1230.10

Expiration Date 07/14/2025

By Isaac I. Chank
Miami-Dade Product Control



MIAMI DADE COUNTY

December 24th, 2020

NO.	DATE	DESCRIPTION
1	7/13/10	AS PER BCCO
2	3/04/20	TO FBC 2017
3	11/24/20	TO FBC 2020

MCY

MCY ENGINEERING, INC.
GLAZING CONSULTANTS

12781 Miramar Parkway #301 P: (305)271-0117
Miramar, FL 33027
www.MCYEngineering.com mcy@mcyengineering.com

GENSTORM OUTSWING SINGLE DOOR SYSTEM - LMI

Gensteeldoors
www.gensteeldoors.com

4950 Hickmore, St. Laurent, Quebec, Canada, H4T1K6
Tel: (514) 733-3562 Fax: (514) 733-1932

DATE	11/24/2020
SCALE	NTS.
DRAWN	C.Y.
PROJECT	10-01

DRAWING NO.
AD10-02

SHEET 7 OF 7