



DEPARTMENT OF REGULATORY AND ECONOMIC RESOURCES (RER)  
 BOARD AND CODE ADMINISTRATION DIVISION  
**NOTICE OF ACCEPTANCE (NOA)**

**Gensteel Doors Inc.**  
**4950 Hickmore Street**  
**Ville St. Laurent, Quebec, Canada H4T1K6**

**SCOPE:**

This NOA is being issued under the applicable rules and regulations governing the use of construction materials. The documentation submitted has been reviewed and accepted by Miami-Dade County RER -Product Control Section to be used in Miami Dade County and other areas where allowed by the Authority Having Jurisdiction (AHJ). This NOA shall not be valid after the expiration date stated below. The Miami-Dade County Product Control Section (In Miami Dade County) and/or the AHJ (in areas other than Miami Dade County) reserve the right to have this product or material tested for quality assurance purposes. If this product or material fails to perform in the accepted manner, the manufacturer will incur the expense of such testing and the AHJ may immediately revoke, modify, or suspend the use of such product or material within their jurisdiction. RER reserves the right to revoke this acceptance, if it is determined by Miami-Dade County Product Control Section that this product or material fails to meet the requirements of the applicable building code. This product is approved as described herein, and has been designed to comply with the Florida Building Code, including the High Velocity Hurricane Zone.

**DESCRIPTION: Series "GenStorm" Inswing Opaque Steel Doors**

**APPROVAL DOCUMENT:** Drawing No. **AD11-04**, titled "Genstorm Opaque Inswing Door - LMI", sheet 1 through 8 of 8, dated 02-02-12 and last revised on JAN 02, 2018, prepared by MCY Engineering, Inc, signed and sealed by Yiping Wang, P.E., bearing the Miami-Dade County Product Control Revision stamp with the Notice of Acceptance number and expiration date by the Miami-Dade County Product Control Section.

**MISSILE IMPACT RATING: Large Missile Impact Resistant**

**Limitations:**

1. See Design Pressures & corresponding Hardware in sheets 1 & 6. Max. Exterior (positive) DP= +33 (double), +65 (Single) w/ PEMKO-177 AT threshold, where water infiltration requirement is needed.
2. Options #1, 2 & #3 require total two (2) flush bolts (top/bottom) on in-active panel.

**LABELING:** Each unit shall bear one of the following permanent labels:

Gensteel Doors Inc.	Gensteel Doors Inc.	North American Doors Corp.
4950 Hickmore Street	2335 Industrial Park Drive	1471 Military Turnpike
Ville St. Laurent, Quebec, Canada H4T1K6	Cornwall, Ontario, Canada K6H7M4	Plattsburgh, NY 12901-1911

Along w/ series or model number and the statement: "Miami-Dade County Product Control Approved".

**RENEWAL** of this NOA shall be considered after a renewal application has been filed and there has been no change in the applicable building code negatively affecting the performance of this product.

**TERMINATION** of this NOA will occur after the expiration date or if there has been a revision or change in the materials, use, and/or manufacture of the product or process. Misuse of this NOA as an endorsement of any product, for sales, advertising or any other purposes shall automatically terminate this NOA. Failure to comply with any section of this NOA shall be cause for termination and removal of NOA.

**ADVERTISEMENT:** The NOA number preceded by the words Miami-Dade County, Florida, and followed by the expiration date may be displayed in advertising literature. If any portion of the NOA is displayed, then it shall be done in its entirety.

**INSPECTION:** A copy of this entire NOA shall be provided to the user by the manufacturer or its distributors and shall be available for inspection at the job site at the request of the Building Official. This NOA revises NOA #17-0130.02 and consists of this page 1 and evidence pages E-1 & E-2, as well as approval document mentioned above. The submitted documentation was reviewed by **Ishaq I. Chanda, P.E.**



2/28/18

**Gensteel Doors Inc.**

**NOTICE OF ACCEPTANCE: EVIDENCE SUBMITTED**

**A. DRAWINGS**

1. Manufacturer's die drawings and sections (submitted under file listed below)
2. Drawing No. **AD11-04**, titled "Genstorm Opaque Inswing Door - LMI", sheet 1 through 8 of 8, dated DEC 20, 2016, prepared by MCY Engineering, Inc., signed and sealed by Yiping Wang, P.E.

**B. TESTS (submitted under file #11-0907.01)**

1. Test reports on
  - 1) Air Infiltration Test, per FBC, TAS 202-94
  - 2) Uniform Static Air Pressure Test, Loading per FBC, TAS 202-94
  - 3) Water Resistance Test, per FBC, TAS 202-94 (w/ PEMO 177 AT)
  - 4) Large Missile Impact Test per FBC, TAS 201-94
  - 5) Cyclic Wind Pressure Loading per FBC, TAS 203-94
  - 6) Forced Entry Test, per FBC 2411 3.2.1 and TAS 202-94
  - 7) Tensile Test, per ASTM A370-05

Along with marked-up drawings and installation diagram of Genstorm Opaque Double & Single Swinging Doors, prepared by Fenestration Testing Laboratory, Inc., Test Reports No(s). **6491**, dated 05/31/11, signed and sealed by Martin D. Brinson, P.E.

Note: This test report has addendum letter dated Nov 11, 2011 issued by Fenestration Testing lab, signed and sealed by Martin D. Brinson, P.E.

**C. CALCULATIONS**

1. Anchor verification calculations and structural analysis, complying with FBC-2014 (**5<sup>th</sup> Edition**), prepared by MCY Engineering, Inc., dated 12/20/16, signed and sealed by Yiping Wang, P.E.

**D. QUALITY ASSURANCE**

1. Miami Dade Department of Regulatory and Economic Resources (RER).

**E. MATERIAL CERTIFICATIONS (submitted under file #11-0907.01)**

1. Tensile Test, per ASTM A370-05 item B (1) (7)
2. Tensile test report N0. FTL 6745 per ASTM A370-05 dated 12/01/11, issued by Fenestration Testing Lab, signed and sealed by Martin D. Brinson, P.E.

**F. STATEMENTS**

1. Statement letter of conformance to FBC 2014 (**5<sup>th</sup> Edition**) and "No financial interest", dated 12/15/16, prepared by MCY Engineering, Inc, signed and sealed by Yiping Wang, P.E.
2. Statement letter of Lab. Compliance, as a part of above test reports.

**G. OTHER**

1. This NOA **revises & renews NOA #11-0907.01**, expiring on 02/23/22.
2. Test proposals # **10-0769R** dated 11/27/11 and e-mail 11/01/10 approved by PERA.
3. Distribution agreement between GenSteel Door, Canada & North American Door Corp, N.Y. dated 10/22/10, signed by Bruno Gervasi and Antonio Gervasi, respectively.

*Ishaq I. Chanda*

**Ishaq I. Chanda, P.E.**

**Product Control Examiner**

**NOA No. 18-0116.20**

**Expiration Date: February 23, 2022**

**Approval Date: March 08, 2018**

**NOTICE OF ACCEPTANCE: EVIDENCE SUBMITTED**

**2. New Evidence submitted**

**A. DRAWINGS**

1. Drawing No. **AD11-04**, titled "Genstorm Opaque Inswing Door - LMI", sheet 1 through 8 of 8, dated 02-02-12 and last revised on JAN 02, 2018, prepared by MCY Engineering, Inc, signed and sealed by Yiping Wang, P.E.

**B. Test**

1. None.

**C. CALCULATIONS**

1. None.

**D. QUALITY ASSURANCE**

1. Miami Dade Department of Regulatory and Economic Resources (RER).

**E. MATERIAL CERTIFICATIONS**

1. None.

**F. STATEMENTS**

1. Statement letter of conformance to FBC 2017 (6<sup>th</sup> Edition), dated 01/02/18 , prepared by MCY Engineering, Inc., signed and sealed by Yiping Wang, P.E.
2. E-mail statement letter dated 02/27/18 clarifying DWG changes, issued by MCY Engineering, Inc., signed by Yanet Pablos.

**G. OTHER**

1. This NOA **revises # 17-0130.02**, expiring 02/23/22



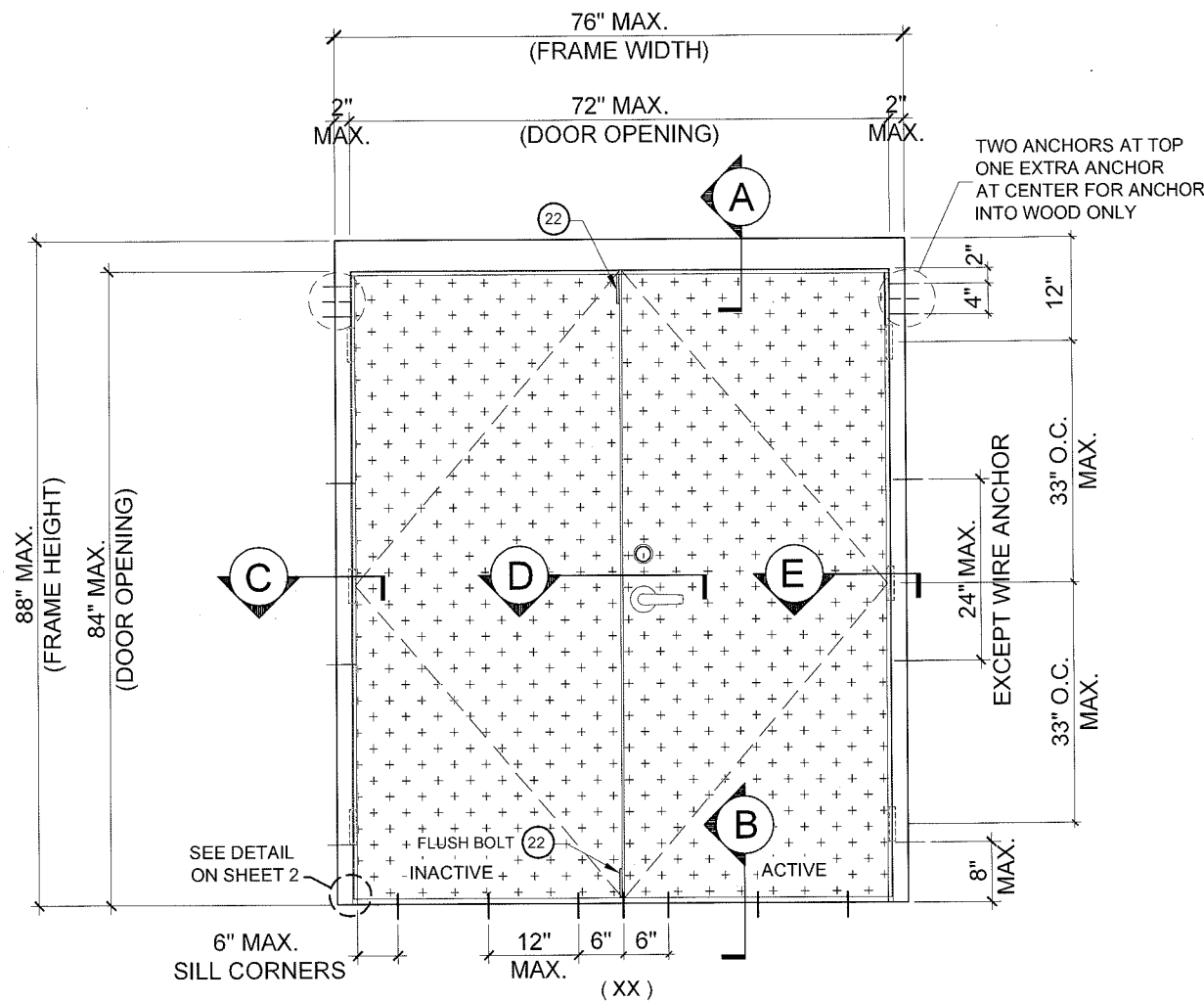
Ishaq I. Chanda, P.E.

Product Control Examiner

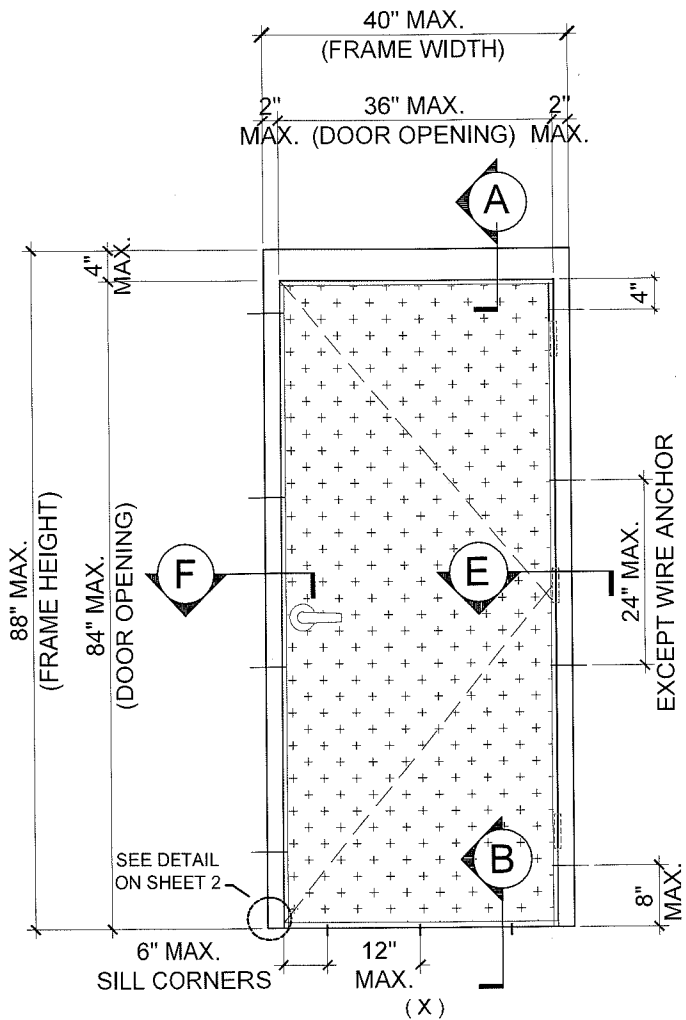
NOA No. 18-0116.20

Expiration Date: February 23, 2022

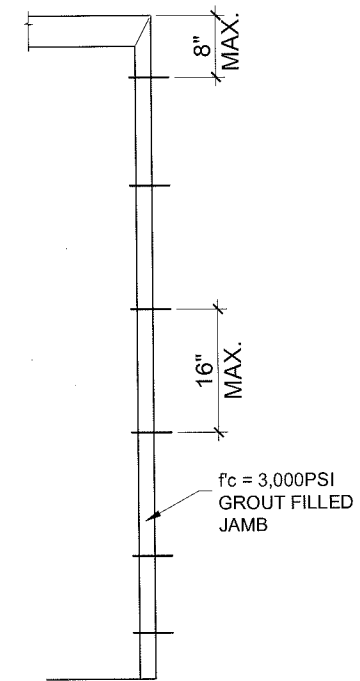
Approval Date: March 08, 2018



TYPICAL EXTERIOR ELEVATION  
(DOUBLE PANEL INSWING DOOR)



TYPICAL EXTERIOR ELEVATION  
(SINGLE PANEL INSWING DOOR)



WIRE ANCHOR LAYOUT

SERIES GENSTORM OPAQUE INSWING STEEL DOOR (LMI)

- THIS PRODUCT HAS BEEN DESIGNED AND TESTED TO COMPLY WITH THE REQUIREMENTS OF THE 6TH EDITION FLORIDA BUILDING CODE (2017) INCLUDING HIGH VELOCITY HURRICANE ZONE (HVHZ).
- DOORS RATED FOR LARGE MISSILE IMPACT AND DO NOT REQUIRE SHUTTERS.
- SEE DOOR DESIGN LOAD CHART FOR APPLICABLE WATER RATING WITH SILL PEMKO 177-AT OR PEMKO 2005 AT
- ANCHORS SHALL BE AS LISTED, SPACED AS SHOWN ON DETAILS. ANCHORS EMBEDMENT TO BASE MATERIAL SHALL BE BEYOND WALL DRESSING OR STUCCO.
- ANCHORING OR LOADING CONDITIONS NOT SHOWN IN THESE DETAILS ARE NOT PART OF THIS APPROVAL.
- MATERIALS INCLUDING BUT NOT LIMITED TO STEEL/METAL SCREWS THAT COME INTO CONTACT WITH OTHER DISSIMILAR MATERIALS SHALL MEET THE REQUIREMENTS OF THE 6TH EDITION FLORIDA BUILDING CODE (2017) AS APPLICABLE.
- METAL STRUCTURES NOT BY GENSTEEL DOOR CO. MUST SUPPORT LOADS IMPOSED BY DOOR SYSTEM AND TRANSFER THEM TO THE BUILDING STRUCTURE.

- WOOD BUCKS BY OTHERS MUST BE ANCHORED PROPERLY TO TRANSFER LOADS TO THE STRUCTURE.
- A LOAD DURATION FACTOR IN ALLOWABLE STRESS IS USED IN DESIGN OF ANCHORS INTO WOOD ONLY.
- DOOR PANEL: MIN. 20 GA. STEEL MIN.  $F_y = 47.3$  KSI MIN. DOOR FRAME: MIN. 18 GA. STEEL MIN.  $F_y = 47.3$  KSI MIN
- DOOR PANEL STAINLESS OPTION: 20 GA STAINLESS STEEL DOOR PANEL MEETING MIN.  $F_y = 47.3$  ksi OR BETTER MAY QUALIFY HAVING "MIL-CERTIFICATE" AS A VERIFICATION OF THE AVAILABLE MIN. YIELD STRENGTH.
- DOOR FRAME STAINLESS OPTION: 18 GA STAINLESS STEEL DOOR FRAME MEETING MIN.  $F_y = 47.3$  ksi OR BETTER MAY QUALIFY HAVING "MIL-CERTIFICATE" AS A VERIFICATION OF THE AVAILABLE MIN. YIELD STRENGTH.

NOTES:  
EGRESS REQUIREMENTS TO BE REVIEWED BY BUILDING OFFICIAL.

FOR SIZES SHOWN ABOVE OR SMALLER AS PERMITTED BY FBC	DOUBLE DOOR		SINGLE DOOR	
	WITH SILL PMK 177-AT	WITH SILL PMK 2005AT	WITH SILL PMK 177-AT	WITH SILL PMK 2005AT
NOT APPROVED FOR WATER INFILTRATION	+65.0 PSF	+65.0 PSF	+65.0 PSF	+65.0 PSF
	-65.0PSF	-65.0PSF	-65.0PSF	-65.0PSF
APPROVED FOR WATER INFILTRATION	+33.0 PSF	+33.0 PSF	+65.0 PSF	+33.0 PSF
	-65.0PSF	-65.0PSF	-65.0PSF	-65.0PSF

PRODUCT REVISED  
as complying with the Florida  
Building Code  
Acceptance No 18-0116-20  
Expiration Date FEB 23, 2022  
By: [Signature]  
Miami Dade Product Council

MIAMI DADE COUNTY

YIPING WANG, P.E.  
FLORIDA REGISTRATION  
PE #55983  
C. No. 55983

PROFESSIONAL ENGINEER  
STATE OF FLORIDA

JAN 02 2018

NO.	DATE	DESCRIPTION
1	12/16/16	2014 FBC UPDATE

MCY ENGINEERING, INC.  
GLAZING CONSULTANTS

8501 SW 124 AVE, STE 205A P: 305.271.0117  
MIAMI, FL 33183 F: 786.573.5063

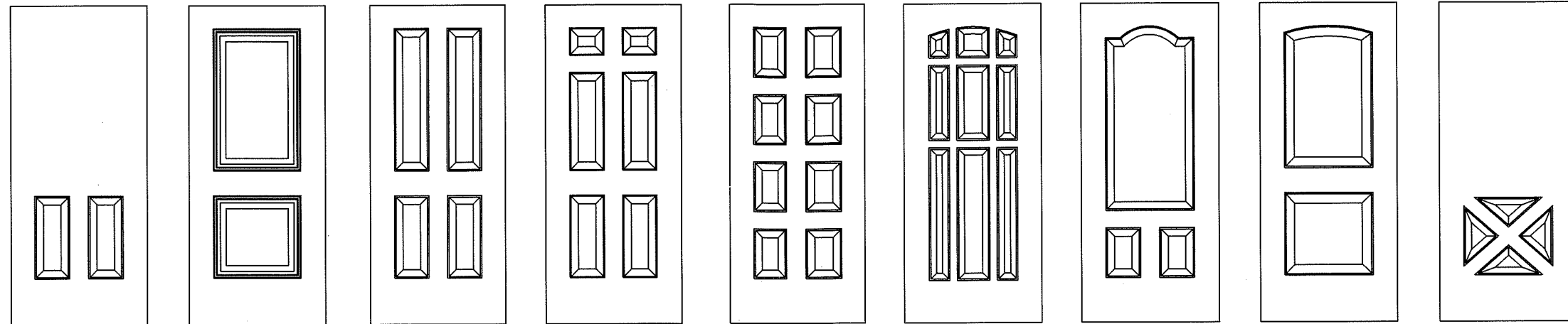
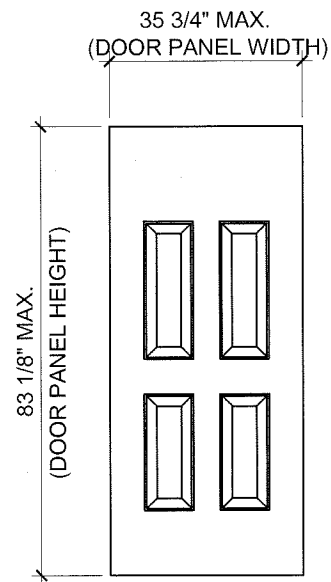
www.MCYEngineering.com MCY.Engineering@Att.net

GENSTORM OPAQUE INSWING STEEL DOOR (LMI)

gensteeldoors  
www.gensteeldoors.com

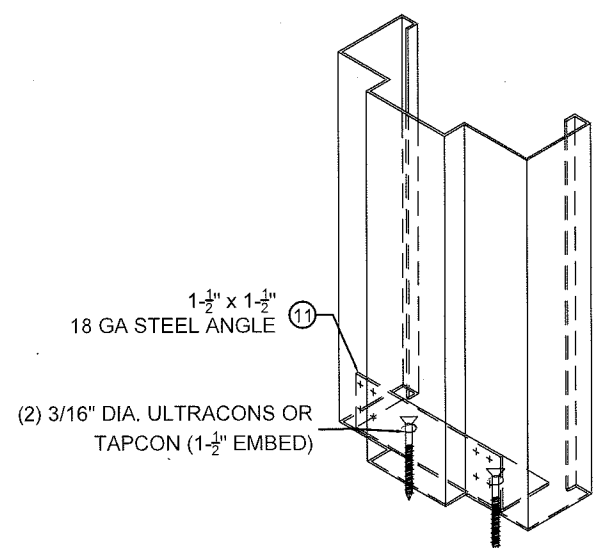
4950 Hickmore, St. Laurent, Quebec, Canada, H4T1K6  
Tel: (514) 733-3562 Fax: (514) 733-1932

DATE	02-02-12
SCALE	NTS.
DRAWN	S.L.
PROJECT	11-007
DRAWING NO.	AD11-04
SHEET 1 OF 8	

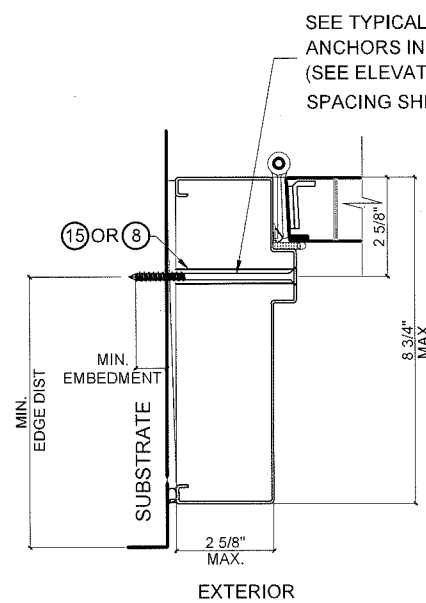


**OPTIONAL EMBOSSED DOOR LEAF PATTERNS (MIN Fy = 47.3 KSI)**

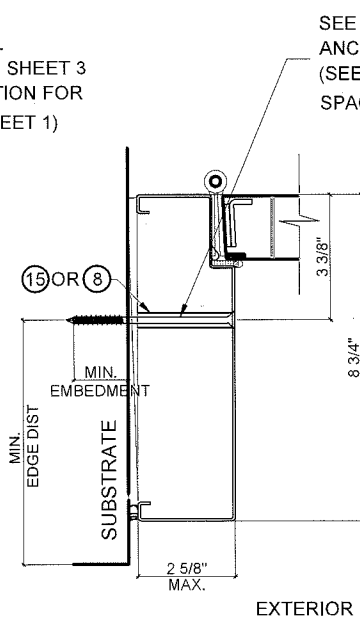
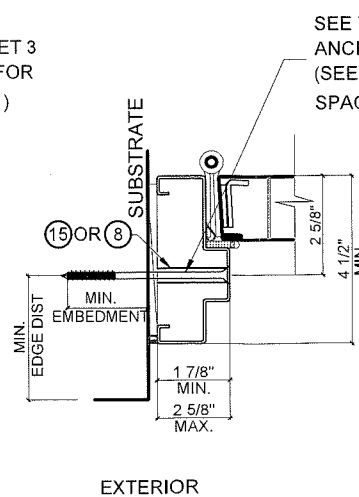
**PRODUCT REVISED**  
 as complying with the Florida  
 Building Code  
 Acceptance No 18-0116.20  
 Expiration Date 2/23/22  
*A. J. Chant*  
 Miami Steel Product Control



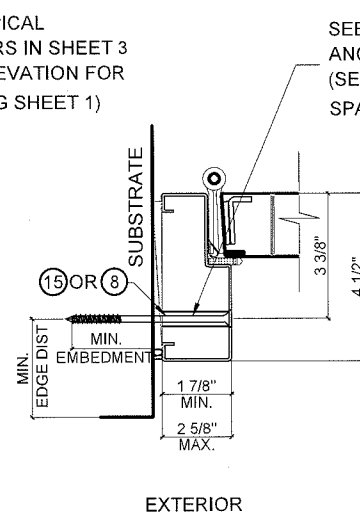
**BOTTOM CORNER ANCHOR DETAIL (OPTIONAL)**



**DOUBLE RABBET ANCHOR LOCATION**

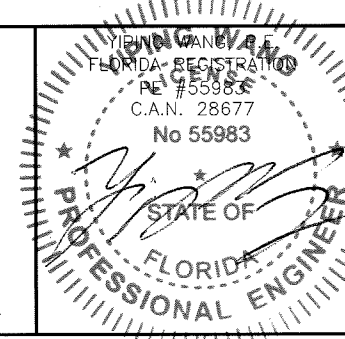


**SINGLE RABBET ANCHOR LOCATION**



**EXTERIOR**

JAN 03 2018



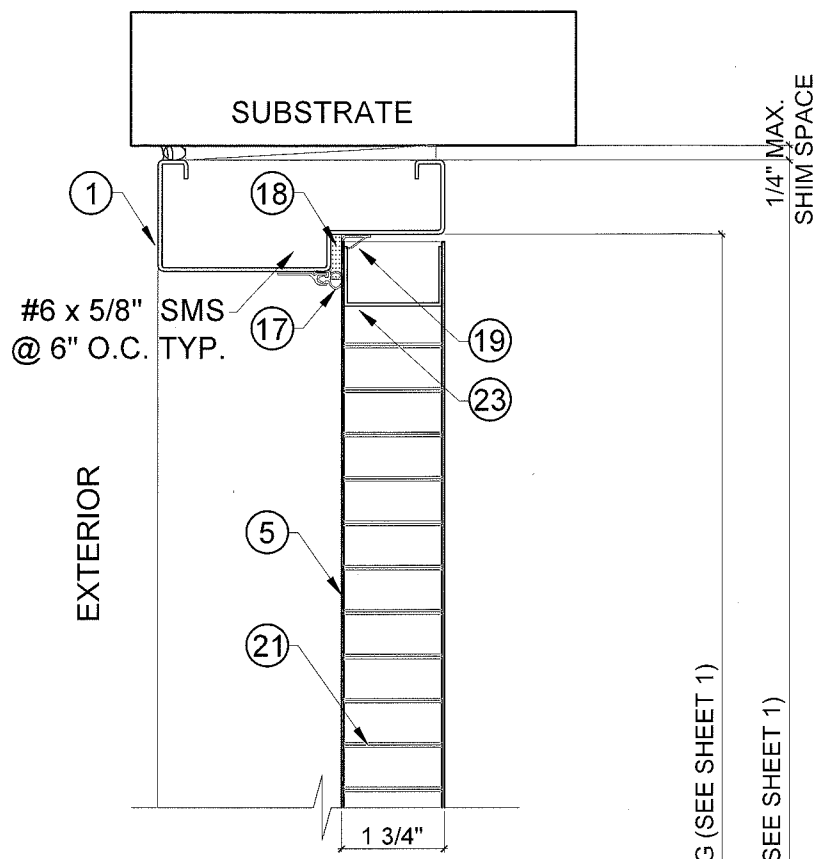
MIAMI DADE COUNTY

NO.	DATE	DESCRIPTION
1	12/16/16	2014 FBC UPDATE

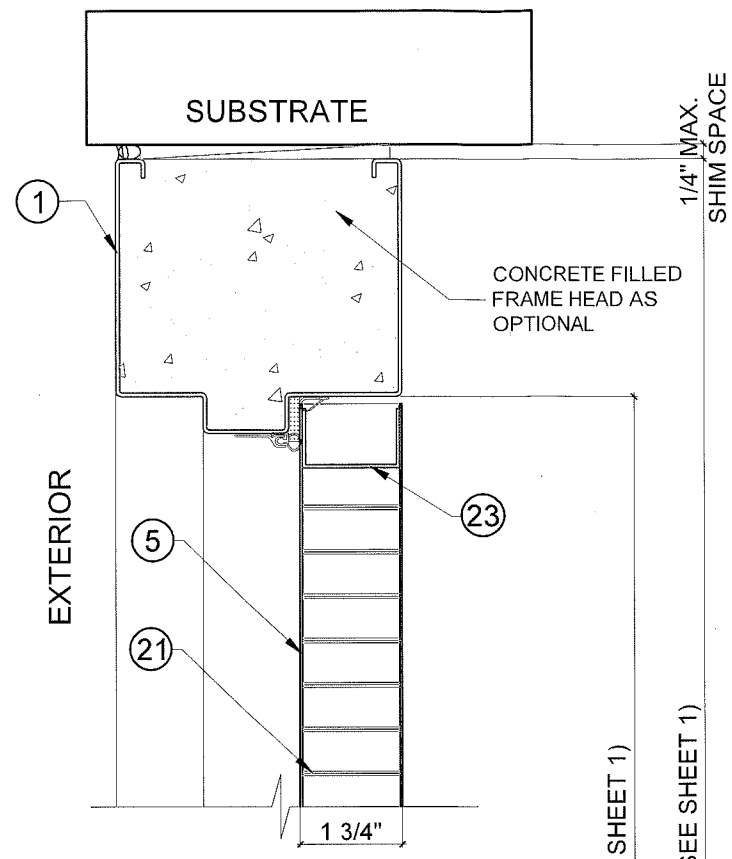
**MCY ENGINEERING, INC.**  
 GLAZING CONSULTANTS  
 8501 SW 124 AVE. STE 205A P: 305.271.0117  
 MIAMI, FL. 33183 F: 786.573.5063  
 www.MCYEngineering.com MCY.Engineering@Att.net

GENSTORM OPAQUE INSWING STEEL DOOR (LMI)  
**gensteeldoors**  
 www.gensteeldoors.com  
 4950 Hickmore, St. Laurent, Quebec, Canada, H4T1K6  
 Tel: (514) 733-3562 Fax: (514) 733-1932

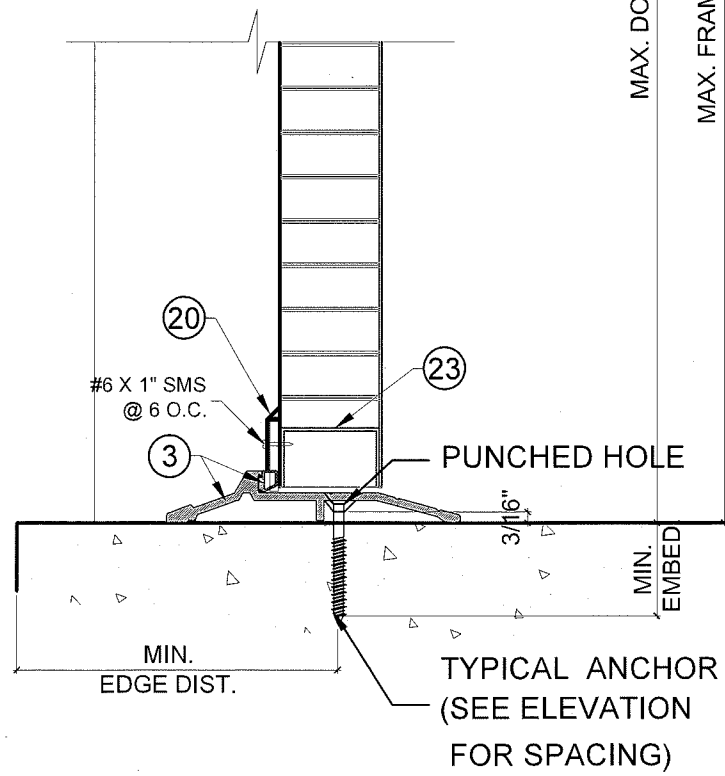
DATE	02-02-12
SCALE	NTS.
DRAWN	S.L.
PROJECT	11-007
DRAWING NO.	AD11-04
SHEET	2 OF 8



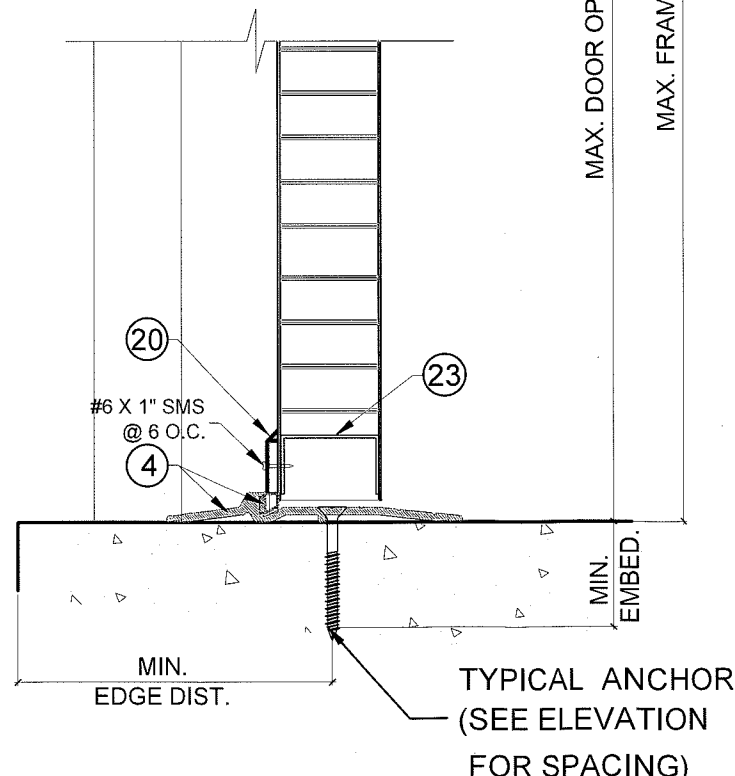
**HEAD DETAIL**  
(SINGLE RABBET FRAME) **A**



**HEAD DETAIL**  
(DOUBLE RABBET FRAME) **A**



**TYPICAL PMK 177-AT THRESHOLD**  
WATER RATED THRESHOLD  
(SEE Dp TABLE ON SHEET 1) **B**



**TYPICAL PMK 2005AT THRESHOLD**  
NON-WATER RATED THRESHOLD  
(SEE Dp TABLE ON SHEET 1) **B**

TYPICAL ANCHORS @ JAMB: (REFER TO ELEVATION FOR SPACING)

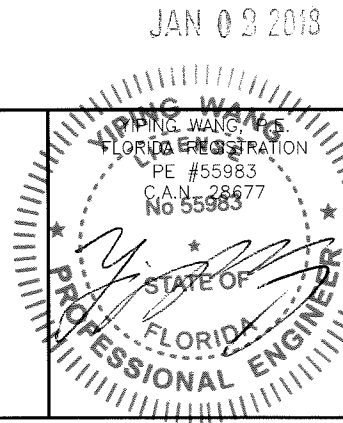
- TYPE A.** 5/16" DIA. ULTRACON BY 'ELCO' Fy=155 KSI Fu = 177 KSI  
DIRECTLY INTO 2BY WOOD BUCK OR WOOD MEMBERS SG=0.55  
1-1/2" MIN. EMBED,  
1 1/2" MIN. EDGE DISTANCE
- DIRECTLY INTO GROUT FILLED CONCRETE BLOCK fc'=2000 PSI  
DIRECTLY INTO fc'=3000 PSI CONCRETE  
1-3/4" MIN. EMBED  
2-1/2" MIN. EDGE DISTANCE
- TYPE B.** 3/8" DIA. HLC SLEEVE ANCHOR BY 'HILTI'  
DIRECTLY INTO fc'=3000 PSI CONCRETE, 3" MIN. EDGE DISTANCE  
DIRECTLY INTO fc'=2000 PSI CONCRETE BLOCK, 3-1/2" MIN. EDGE DISTANCE
- 1-1/4" MIN. EMBED & 3-3/4" MIN. SPACING
- TYPE C.** 3/8" DIA. SLEEVE ANCHOR BY 'WEJ-IT'  
DIRECTLY INTO fc'=4000 PSI CONCRETE, 2-3/8" MIN. EMBED  
DIRECTLY INTO fc'=2000 PSI CONCRETE BLOCK, 1-1/4" MIN. EMBED
- 2-3/8" MIN. EDGE DISTANCE & 4" MIN. O.C. SPACING
- TYPE D.** 3/8" DIA. POWER BOLTS BY 'POWERS'  
DIRECTLY INTO fc'=3000 PSI CONCRETE, 2-1/2" MIN. EMBED  
DIRECTLY INTO fc'=1500 PSI CONCRETE BLOCK, 2" MIN. EMBED
- 3" MIN. EDGE DISTANCE & 4" MIN. SPACING
- TYPE E.** 5/16" DIA. SMS OR MACHINE BOLTS (MIN. GRADE 2 CRS) OR ST/ST  
INTO METAL STRUCTURES (STEEL OR ALUMINUM 1/8" MIN. THICK.)  
STEEL : Fy = 36 KSI MIN.  
ALUMINUM : 6063-T5 MIN.  
(STEEL IN CONTACT WITH ALUMINUM TO BE PLATED OR PAINTED)
- TYPE J.** 3/8" POWER WEDGE BOLTS BY 'POWERS'  
DIRECTLY INTO fc'=3000 PSI CONCRETE  
1-1/2" MIN. EMBED & 4" MIN. SPACING  
3-1/4" MIN. EDGE DISTANCE
- TYPE G.** WIRE ANCHOR (FA3030) (Fy = 60 ksi.), 10" LG.  
0.173 DIA. STEEL WIRE ANCHORS EMBED INTO CONCRETE BLOCK

TYPICAL ANCHORS @ THRESHOLD:

- TYPE F.** 1/4" DIA. OR 5/16" DIA. ULTRACON BY 'ELCO' Fy = 155 KSI Fu = 177 KSI  
DIRECTLY INTO fc'=3000 PSI MIN. CONCRETE  
1-1/2" MIN. EMBED & 3" MIN. SPACING  
2-1/2" MIN. EDGE DISTANCE
- 1/4" DIA. TAPCON BY 'ITW' Fy = 90 KSI Fu = 120 KSI  
DIRECTLY INTO fc'=3000 PSI MIN. CONCRETE  
1-1/2" MIN. EMBED. & 4" MIN. SPACING  
2-1/2" MIN. EDGE DISTANCE

**SEALANT:**  
ALL FRAME JOINTS AND CORNERS TO BE SEALED  
WITH SILICONE AT PERIMETER

**PRODUCT REVISED**  
as complying with the Florida  
Building Code  
Acceptance No. 18-016-20  
Expiration Date 2/23/22  
By: [Signature]  
Product Control



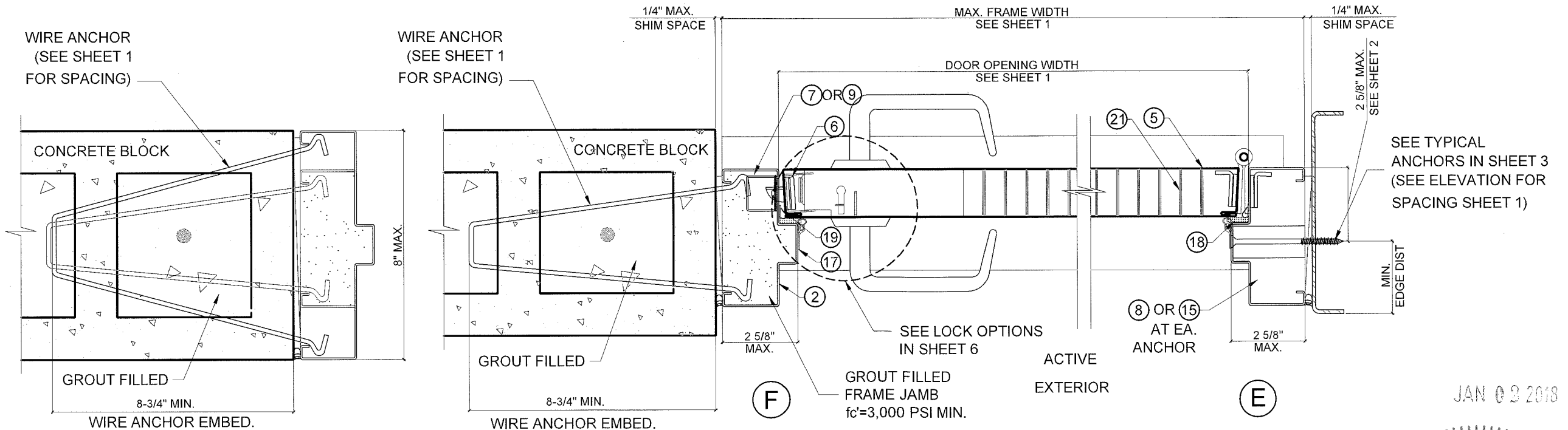
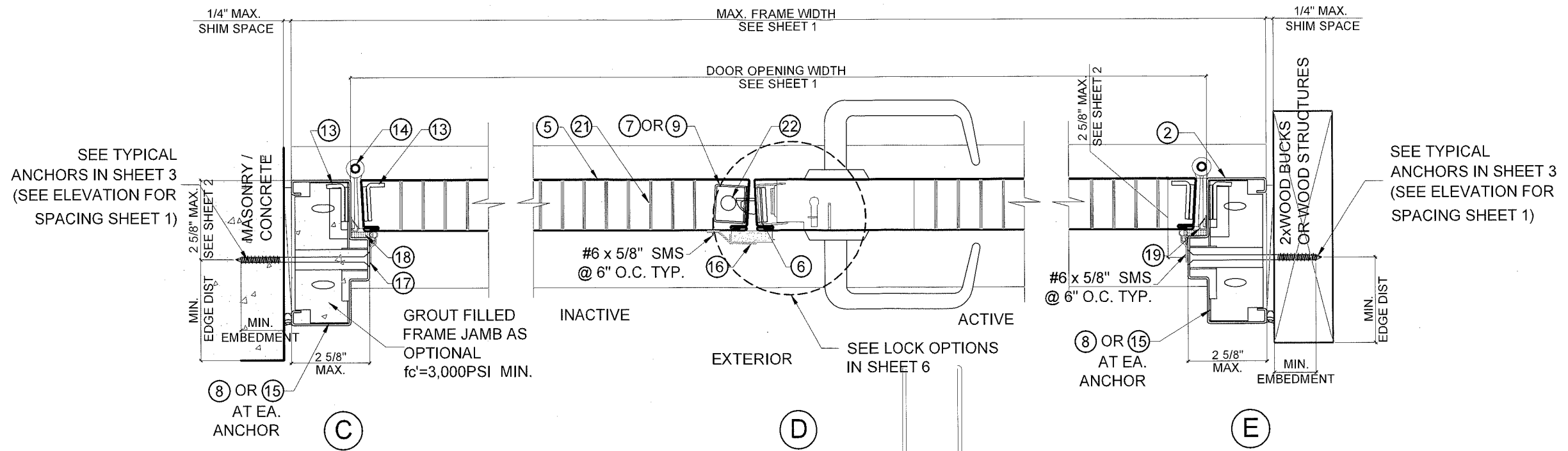
MIAMI DADE COUNTY

NO.	DATE	DESCRIPTION
1	12/16/16	2014 FBC UPDATE

**MCY ENGINEERING, INC.**  
GLAZING CONSULTANTS  
8501 SW 124 AVE. STE 205A P: 305.271.0117  
MIAMI, FL. 33183 F: 786.573.5063  
www.MCYEngineering.com MCY.Engineering@Att.net

GENSTORM OPAQUE INSWING STEEL DOOR (LMI)  
**gensteeldoors**  
www.gensteeldoors.com  
4950 Hickmore, St. Laurent, Quebec, Canada, H4T1K6  
Tel: (514) 733-3562 Fax: (514) 733-1932

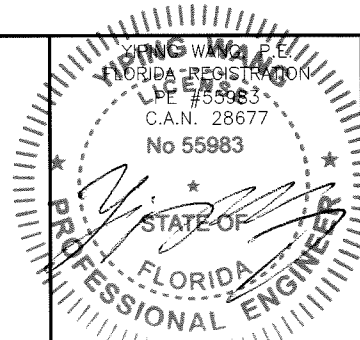
DATE	02-02-12
SCALE	NTS.
DRAWN	S.L.
PROJECT	11-007
DRAWING NO.	AD11-04
SHEET	3 OF 8



**NOTE: JAMB MUST FULL BEARING ON SUBSTRATE.**

**DOOR SECTION DETAILS FOR DOUBLE RABBET DOOR FRAMES**

**PRODUCED & REVISED**  
 as complying with the Florida  
 Building Code  
 Acceptance No 18-0116.20  
 Expiration Date 2/27/22  
 (Signature)  
 Senior Design/Product Control



NO.	DATE	DESCRIPTION
1	12/16/16	2014 FBC UPDATE

**MCY ENGINEERING, INC.**  
 GLAZING CONSULTANTS  
 8501 SW 124 AVE. STE 205A P: 305.271.0117  
 MIAMI, FL 33183 F: 786.573.5063  
 www.MCYEngineering.com MCY.Engineering@Att.net

**GENSTORM OPAQUE INSWING STEEL DOOR (LMI)**  
**gensteeldoors**  
 www.gensteeldoors.com  
 4950 Hickmore, St. Laurent, Quebec, Canada, H4T1K6  
 Tel: (514) 733-3562 Fax: (514) 733-1932

DATE	02-02-12
SCALE	N.T.S.
DRAWN	S.L.
PROJECT	11-007
DRAWING NO.	AD11-04
SHEET	4 OF 8

MIAMI DADE COUNTY

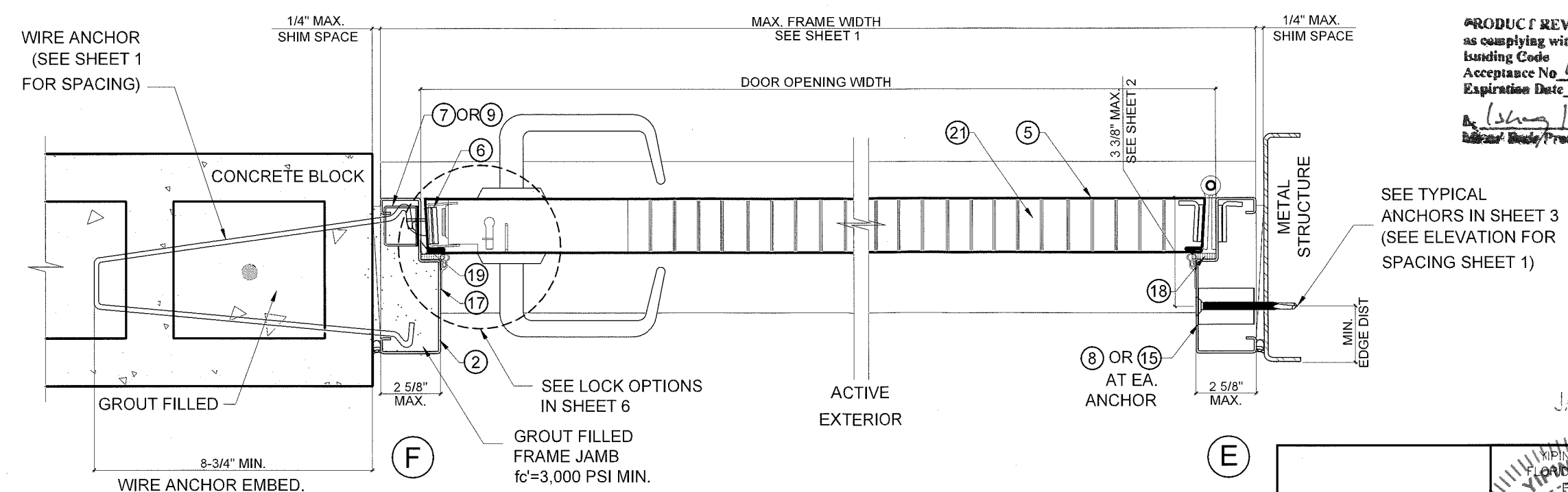
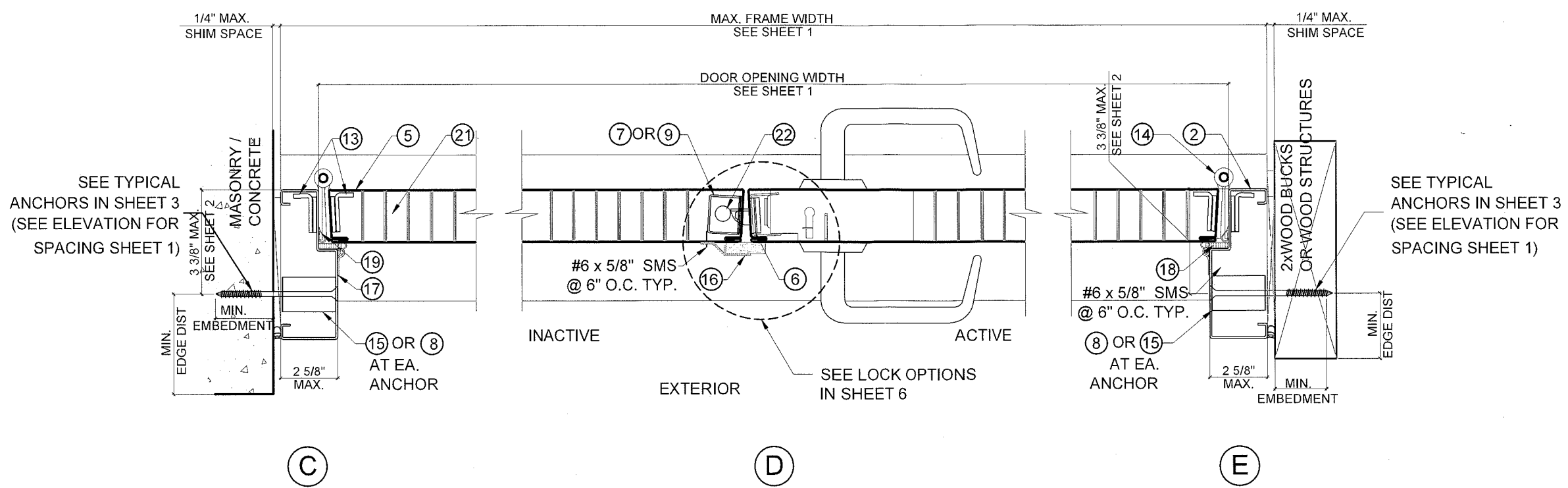
JAN 02 2018

NO.	DATE	DESCRIPTION
1	12/16/16	2014, FBC UPDATE

**MCY**  
**MCY ENGINEERING, INC.**  
 GLAZING CONSULTANTS  
 8501 SW 124 AVE. STE 205A P: 305.271.0117  
 MIAMI, FL 33183 F: 786.573.5063  
 www.MCYEngineering.com MCY.Engineering@Att.net

GENSTORM OPAQUE INSWING STEEL DOOR (LMI)  
**gensteeldoors**  
 www.gensteeldoors.com  
 4950 Hickmore, St. Laurent, Quebec, Canada, H4T1K6  
 Tel: (514) 733-3562 Fax: (514) 733-1932

DATE	02-02-12
SCALE	NTS.
DRAWN	S.L.
PROJECT	11-007
DRAWING NO.	AD11-04
SHEET	5 OF 8

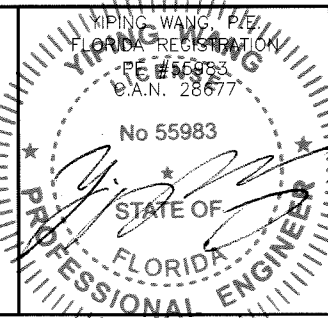


**PRODUCT REVISED**  
 as complying with the Florida Building Code  
 Acceptance No. 18-0116-20  
 Expiration Date 2/23/22  
*By: [Signature]*  
 Material/Build/Product Control

**NOTE: JAMB MUST FULL BEARING ON SUBSTRATE.**

**DOOR SECTION DETAILS FOR SINGLE RABBET DOOR FRAMES**

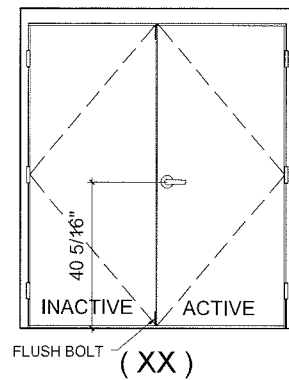
MIAMI DADE COUNTY





# LOCK OPTIONS

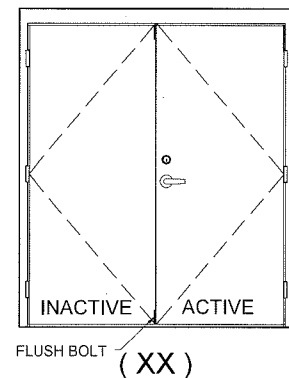
LOCK OPTIONS FOR DOUBLE DOORS ACTIVE PANEL  
CAN APPLY TO SINGLE DOORS  
(EXTERIOR ELEVATIONS - INSWING DOORS)



## OPTION 1

**ACTIVE LEAF:**  
DOREX 12 SERIES LOCK SET  
40 5/16" FROM BOTTOM

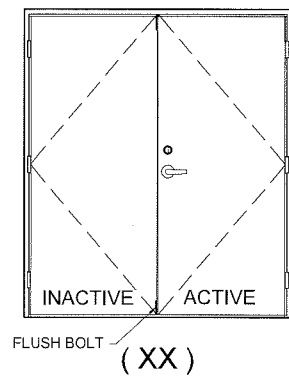
**INACTIVE LEAF:**  
STRIKE FOR LOCKSET.  
IVES FB 458 MANUAL FLUSH BOLT  
(TOP & BOTTOM)



## OPTION 2

**ACTIVE LEAF:**  
SCHLAGE AL SERIES LOCK SET,  
40 5/16" FROM BOTTOM.  
& SCHLAGE B SERIES DEADLOCK,  
46 5/16" FROM BOTTOM.

**INACTIVE LEAF:**  
STRIKE FOR LOCKSET.  
STRIKES FOR DEADLOCK.  
IVES FB 458 MANUAL FLUSH BOLT  
TOP & BOTTOM



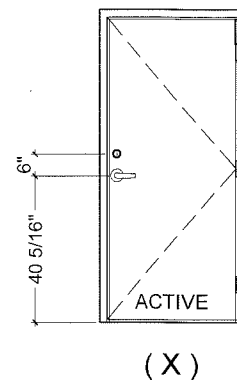
## OPTION 3

**ACTIVE LEAF:**  
DOREX FH SERIES LOCKSET,  
40 5/16" FROM BOTTOM.  
DOREX TLA SERIES DEADLOCK,  
46 5/16" FROM BOTTOM.

**INACTIVE LEAF:**  
STRIKE FOR LOCKSET.  
STRIKES FOR DEADLOCK.  
IVES FB 458 MANUAL FLUSH BOLT  
TOP & BOTTOM

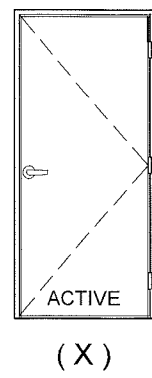
**HINGES:** STEEL BUTT HINGES 3 PER LEAF. LOCATED AT 12" MAX. FROM TOP OF THE DOOR TO CENTER LINE OF 1ST HINGE AND TO BE SPACED OUT NOT TO EXCEED 33" FROM CL TO CL OF HINGE. TO BE FASTENED BY (4) #12-24 x 1/2" FLATHEAD MACHINE SCREWS.

**HARDWARE LOCATIONS:** ALL THESE DOORS WERE MANUFACTURED WITH THE CYLINDRICAL, LEVER, OR KNOBS AT 40-5/16" C.L. FROM THE BOTTOM OF THE FRAME. ALL THE DEADLOCKS WERE POSITIONED 46-5/16" FROM THE BOTTOM OF THE FRAME.



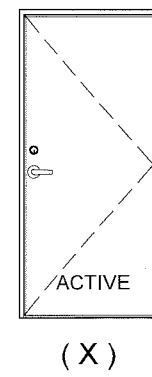
## OPTION 4

**ACTIVE LEAF:**  
SCHLAGE AL SERIES LOCK SET,  
40 5/16" FROM BOTTOM.  
& SCHLAGE B SERIES DEADLOCK,  
46 5/16" FROM BOTTOM



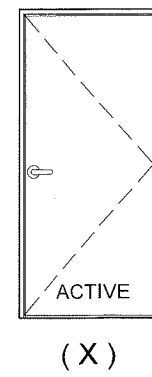
## OPTION 5

**ACTIVE LEAF:**  
DOREX FHA SERIES LOCKSET,  
40 5/16" FROM BOTTOM.



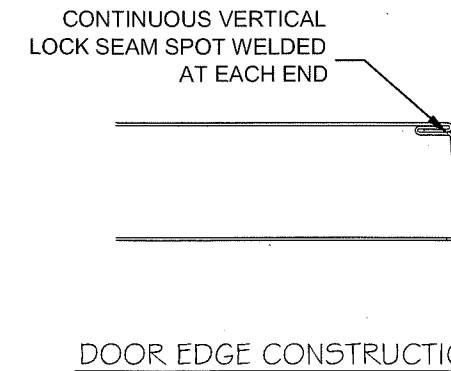
## OPTION 6

**ACTIVE LEAF:**  
DOREX FH SERIES LOCKSET,  
40 5/16" FROM BOTTOM.  
DOREX TLA SERIES DEADLOCK,  
46 5/16" FROM BOTTOM.



## OPTION 7

**ACTIVE LEAF:**  
SCHLAGE AL SERIES LOCKSET,  
40 5/16" FROM BOTTOM.

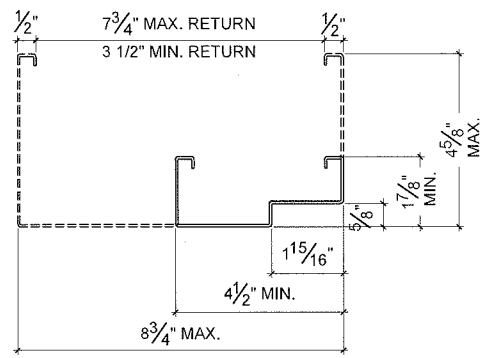


**PRODUCT REVISED**  
as complying with the Florida  
Building Code  
Acceptance No 18-0116-20  
Expiration Date 7/23/22  
E. Ishag, Professional Engineer  
Miami, Florida

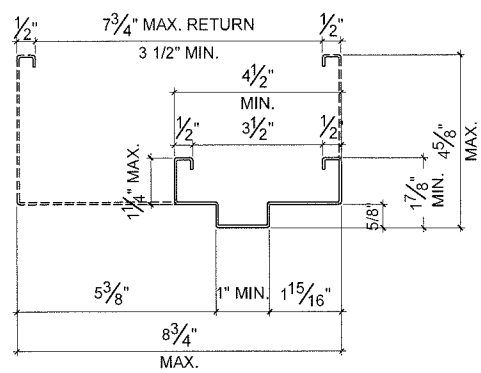
JAN 03 2013

MIAMI DADE COUNTY

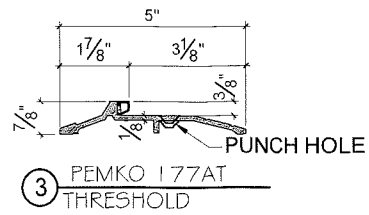
REVISIONS	
NO. DATE DESCRIPTION	12/16/16 2014 FBC UPDATE
<b>MCY ENGINEERING, INC.</b> GLAZING CONSULTANTS 8501 SW 124 AVE. STE 205A P: 305.271.0117 MIAMI, FL 33183 F: 786.573.5063 www.MCYEngineering.com MCY.Engineering@Att.net	
<b>GENSTORM OPAQUE INSWING STEEL DOOR (LMI)</b> 	
www.gensteeldoors.com 4950 Hickmore, St. Laurent, Quebec, Canada, H4T1K6 Tel: (514) 733-3562 Fax: (514) 733-1932	
DATE	02-02-12
SCALE	NTS.
DRAWN	S.L.
PROJECT	11-007
DRAWING NO.	
AD11-04	
SHEET 6 OF 8	



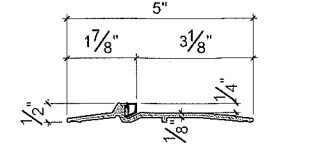
① FRAME HEAD 18 GA (0.048") STEEL (SINGLE RABBET)



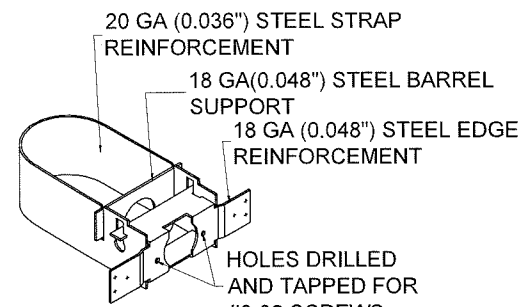
① FRAME HEAD OPTION 18 GA (0.048") STEEL (DOUBLE RABBET)



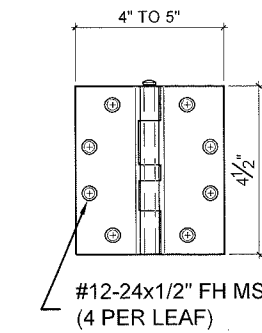
③ PEMKO 177AT THRESHOLD



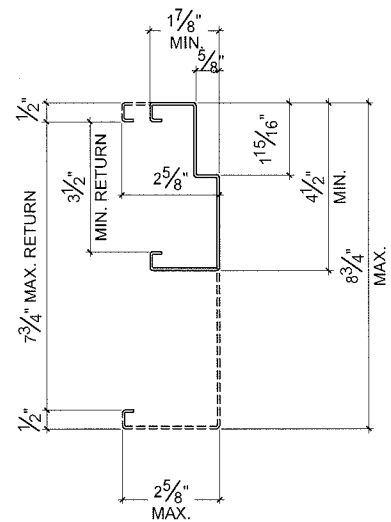
④ PEMKO 2005AT THRESHOLD OPTION



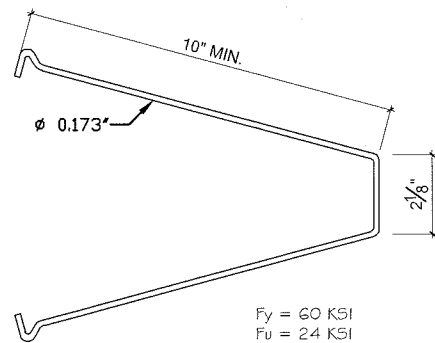
⑥ DR 1600 (CYLINDRICAL LOCK REINFORCEMENT ASSEMBLY ALSO FOR DEAD BOLT)



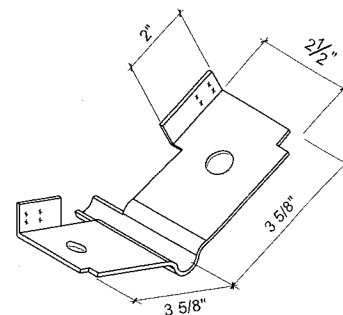
⑭ 0.134\"/>



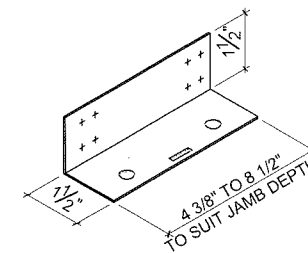
② FRAME JAMB 18 GA (0.048") STEEL (SINGLE RABBET)



⑩ FA3030 STEEL MASONRY WIRE ANCHOR



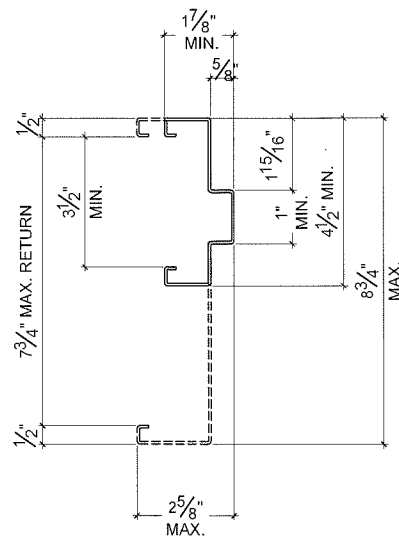
⑧ FA3010 18 GA (0.048") STEEL EMA BUTTERFLY MASONRY ANCHOR



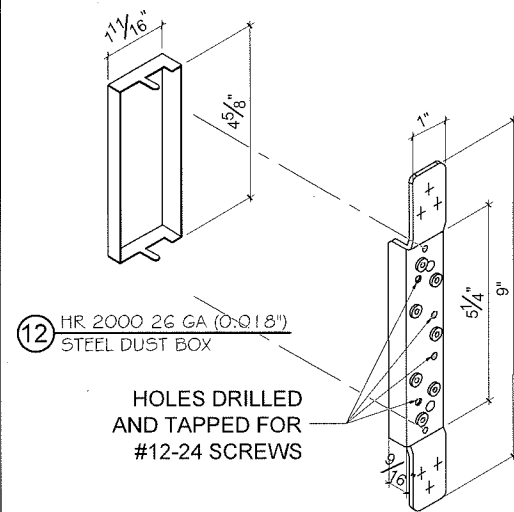
⑪ FA 1040 18 GA (0.048") STEEL FLOOR ANCHOR AS OPTION

⑫ IVES FB 458 FLUSH BOLT

PRODUCT REVISED  
 as complying with the Florida  
 Building Code  
 Acceptance No 18-016-20  
 Expiration Date 2/23/22  
 Ishing I. Ummah  
 Master Bolt Product Control



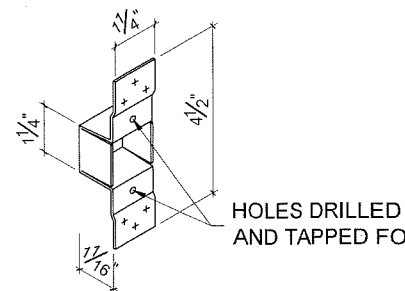
② FRAME JAMB OPTION 18 GA (0.048") STEEL (DOUBLE RABBET)



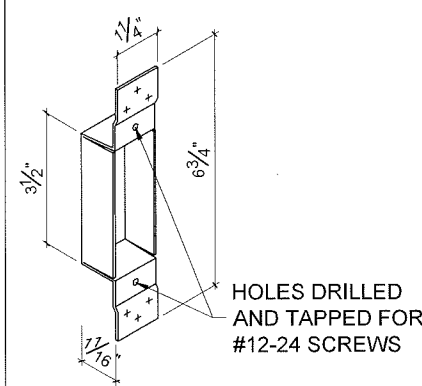
⑫ HR 2000 26 GA (0.018") STEEL DUST BOX

HOLES DRILLED AND TAPPED FOR #12-24 SCREWS

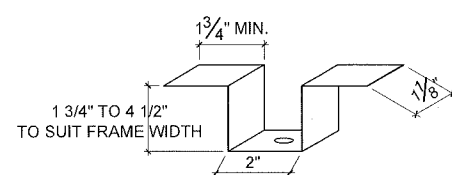
⑬ HR 1030 10 GA (0.1345") STEEL HINGE REINFORCEMENT



⑦ FR 1000 18 GA (0.048") STEEL DEAD BOLT STRIKE REINFORCEMENT

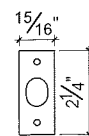


⑨ FR 1100 18 GA (0.048") STEEL ASA STRIKE BOX REINFORCEMENT

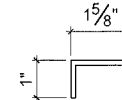


⑮ FA3012 18 GA ANCHOR CLIP OPTION

OPTIONAL

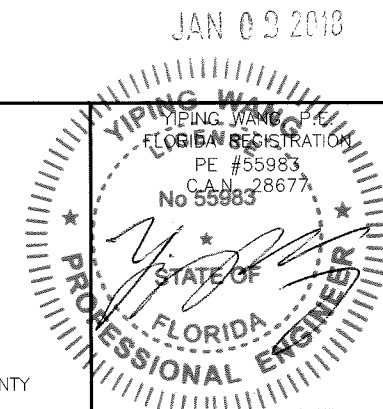


⑫ IVES FB 458 TOP & BOTTOM BOLT (STRIKE)



⑮ 18 GA CHANNEL (FULL LENGTH OF PANEL WIDTH)

MIAMI DADE COUNTY



REVISIONS	
NO.	DATE / DESCRIPTION
1	12/16/16 2014. FBC UPDATE

**MCY ENGINEERING, INC.**  
 GLAZING CONSULTANTS

**gensteeldoors**  
 www.gensteeldoors.com

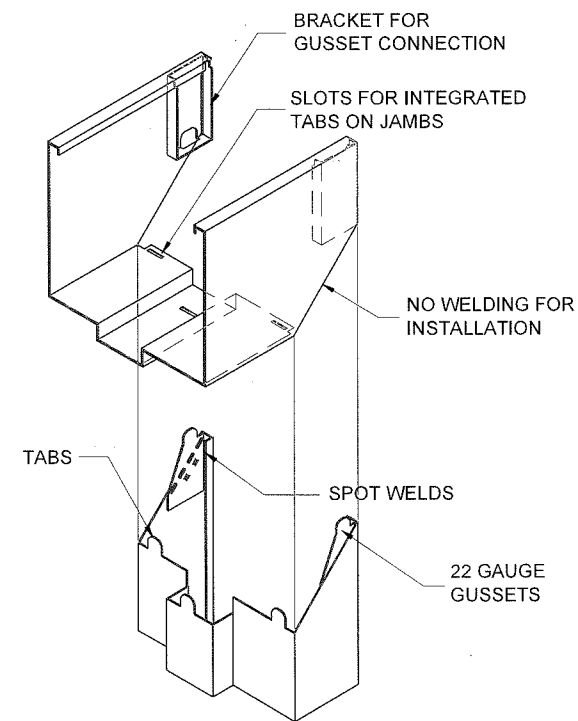
4950 Hickmore, St. Laurent, Quebec, Canada, H4T1K6  
 Tel: (514) 733-3562 Fax: (514) 733-1932

DATE	02-02-12
SCALE	NTS.
DRAWN	S.L.
PROJECT	11-007

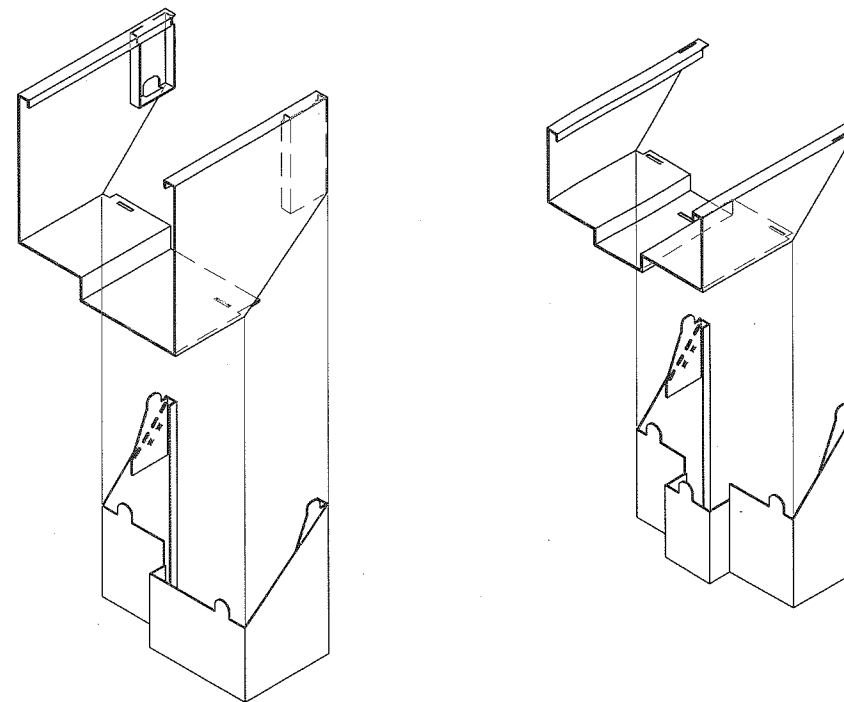
DRAWING NO. AD11-04  
 SHEET 7 OF 8

# BILL OF MATERIALS

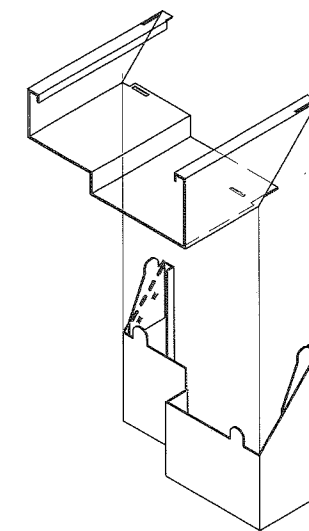
ITEM	PART No.	MATERIAL	QTY.	DESCRIPTION	MANUFACTURER/SUPPLIER/ REMARKS
1	-	STEEL DR ST/ST	AS REQD.	FRAME HEAD	18 GA. (0.048MIN.) Fy= 47.3 KSI MIN.
2	-	STEEL DR ST/ST	AS REQD.	FRAME JAMB	18 GA. (0.048MIN.) Fy= 47.3 KSI MIN.
3	PMK177-AT	ALUM.	1	THRESHOLD WITH THERMO SEAL INSERT	PEMKO 177AT
4	PMK 2005AT	ALUMINUM	1	OPTIONAL THRESHOLD WITH THERMO SEAL INSERT	PEMKO 2005AT
5	-	STEEL DR ST/ST	AS REQD.	DOOR PANEL 1 3/4" THK.	20 GA. (0.036MIN.) Fy= 47.3 KSI MIN.
6	DR1600	STEEL	AS REQD.	CYLINDRICAL LOCK REINFORCEMENT	GENSTEEL PROGRESSION WELDED TO THE PANEL
7	FR1000	STEEL	AS REQD.	DEAD BOLT STRIKE REINFORCEMENT	GENSTEEL PROGRESSION WELDED TO THE PANEL
8	FA3010	STEEL	AS REQD.	BUTTERFLY MASONRY ANCHOR	GENSTEEL
9	FR1100	STEEL	AS REQD.	ASA STRIKE BOX	GENSTEEL PROGRESSION WELDED TO THE FRAME AND/OR THE DOOR
10	FA3030	STEEL	AS REQD.	MASONRY WIRE ANCHOR 0.173 DIA.	GENSTEEL Fy=60 KSI Fv=24 KSI MIN.
11	FA1040	STEEL	2	FLOOR ANCHOR 18 GA. (1-1/2" x 1-1/2") (OPTION)	GENSTEEL
12	HR2000	STEEL	3 PER LEAF	HINGE DUSTBOX	GENSTEEL
13	HR1030	STEEL	3 PER LEAF	HINGE REINFORCEMENT WELDED TO FRAME & DOOR	GENSTEEL PROGRESSION WELDED TO THE FRAME AND/OR THE DOOR
14	HINGE	STEEL	3 PER LEAF	4 1/2" LONG HINGE	HAGER USA OR EQUAL
15	FA3012	STEEL	AS REQD.	ANCHOR CLIP (OPTION)	GENSTEEL PROGRESSION WELDED TO THE FRAME
16	PEMKO P375R	-	AS REQD.	PEMKO 375R ASTRAGAL WITH SPONGE NEOPRENE	PEMKO (WITH #6x5/8" ST/ST SMS @ 6" O.C.)
17	PEMKO 303_S	STEEL	AS REQD.	PERIMETER GASKETING WEATHERSTRIP ADAPTER	PEMKO (WITH #6x5/8" ST/ST SMS @ 6" O.C.)
18	PEMKO 387	-	AS REQD.	ADHESIVE CLOSED CELL SPONGE WEATHERSTRIP	PEMKO
19	PEMKO 88	SILICONSEAL TM	AS REQD.	ADHESIVE GASKETING WEATHERSTRIP	PEMKO
20	PEMKO 315_N	-	1 PER LEAF.	DOOR SWEEP WEATHERSTRIP AT BOTTOM OF PANEL	PEMKO (WITH #6x1" ST/ST SMS @ 6" O.C.)
21	HONEYCOMB CORE	-	AS REQD.	INSIDE OF DOOR PANEL	GENSTEEL
22	IVES FB 458	STEEL	AS REQD.	IVES TOP & BOTTOM FLUSH BOLTS	IVES
23	CH3601	STEEL	AS REQD.	1' X 1-5/8" X 1' X 18GA DOOR END CHANNEL	GENSTEEL



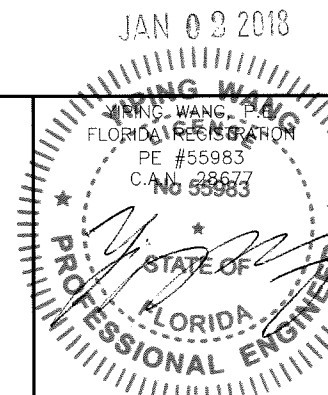
**CORNER FRAME CONSTRUCTION**



**THE JAMB AND HEAD MEETING CORNERS ARE NOT REQUIRED TO BE WELDED TO EACH OTHER. ALL THE FRAMES WERE TESTED AS "KNOCK-DOWN" UNITS.**



**PRODUCT REVISED**  
to comply with the Florida Building Code  
Acceptance No. 18-0116-20  
Expiration Date FEB 23, 2022  
*Sheng L. Chan*  
Product Control



MIAMI DADE COUNTY

REVISIONS

NO.	DATE	DESCRIPTION
1	12/16/16	2014 FBC UPDATE

**MCY**

**MCY ENGINEERING, INC.**  
GLAZING CONSULTANTS

8501 SW 124 AVE. STE 205A P: 305.271.0117  
MIAMI, FL 33183 F: 786.573.5063  
www.MCYEngineering.com MCY.Engineering@Att.net

GENSTORM OPAQUE INSWING STEEL DOOR (LMI)

gensteeldoors

www.gensteeldoors.com  
4950 Hickmore, St. Laurent, Quebec, Canada, H4T1K6  
Tel: (514) 733-3562 Fax: (514) 733-1932

DATE	02-02-12
SCALE	N.T.S.
DRAWN	S.L.
PROJECT	11-007
DRAWING NO. AD11-04	
SHEET 8 OF 8	