



DEPARTMENT OF REGULATORY AND ECONOMIC RESOURCES (RER)
 BOARD AND CODE ADMINISTRATION DIVISION
NOTICE OF ACCEPTANCE (NOA)

Gensteel Doors Inc.
4950 Hickmore Street
Ville St. Laurent, Quebec, Canada H4T1K6

SCOPE:

This NOA is being issued under the applicable rules and regulations governing the use of construction materials. The documentation submitted has been reviewed and accepted by Miami-Dade County RER -Product Control Section to be used in Miami Dade County and other areas where allowed by the Authority Having Jurisdiction (AHJ).

This NOA shall not be valid after the expiration date stated below. The Miami-Dade County Product Control Section (In Miami Dade County) and/or the AHJ (in areas other than Miami Dade County) reserve the right to have this product or material tested for quality assurance purposes. If this product or material fails to perform in the accepted manner, the manufacturer will incur the expense of such testing and the AHJ may immediately revoke, modify, or suspend the use of such product or material within their jurisdiction. RER reserves the right to revoke this acceptance, if it is determined by Miami-Dade County Product Control Section that this product or material fails to meet the requirements of the applicable building code.

This product is approved as described herein, and has been designed to comply with the Florida Building Code, including the High Velocity Hurricane Zone.

DESCRIPTION: Series Genstorm Louver Outswing Steel Doors

APPROVAL DOCUMENT: Drawing No. **AD10-09-002**, titled "Genstorm Louver Outswing Steel Door (LMI)", sheet 1 through 8 of 8, dated 02-05-2009 and last revised on JAN 02, 2018, prepared by MCY Engineering, Inc., signed and sealed by Yiping Wang, P.E., bearing the Miami-Dade County Product Control Revision stamp with the Notice of Acceptance number and expiration date by the Miami-Dade County Product Control Section.

MISSILE IMPACT RATING: Large Missile Impact Resistant

Limitations:

1. See Design Pressures & corresponding Hardware in sheets **1** & **6**. Doors are **not** rated for Air & water infiltration requirement is needed.
2. Lock Options # **1, 3 & 5** in **sheet 6**, require total two (2) flush bolts (top/bottom) on the corresponding panel.

LABELING: Each unit shall bear one of the following permanent labels:

Gensteel Doors Inc.	Gensteel Doors Inc.	North American Doors Corp.
4950 Hickmore Street	2335 Industrial Park Drive	1471 Military Turnpike
Ville St. Laurent, Quebec, Canada H4T1K6	Cornwall, Ontario, Canada K6H7M4	Plattsburgh, NY 12901-1911

and series and the statement: "Miami-Dade County Product Control Approved".

RENEWAL of this NOA shall be considered after a renewal application has been filed and there has been no change in the applicable building code negatively affecting the performance of this product.

TERMINATION of this NOA will occur after the expiration date or if there has been a revision or change in the materials, use, and/or manufacture of the product or process. Misuse of this NOA as an endorsement of any product, for sales, advertising or any other purposes shall automatically terminate this NOA. Failure to comply with any section of this NOA shall be cause for termination and removal of NOA.

ADVERTISEMENT: The NOA number preceded by the words Miami-Dade County, Florida, and followed by the expiration date may be displayed in advertising literature. If any portion of the NOA is displayed, then it shall be done in its entirety.

INSPECTION: A copy of this entire NOA shall be provided to the user by the manufacturer or its distributors and shall be available for inspection at the job site at the request of the Building Official.

This NOA **revises NOA #16-0407.09** and consists of this page 1 and evidence pages E-1 & E-2, as well as approval document mentioned above.

The submitted documentation was reviewed by **Ishaq I. Chanda, P.E.**



2/26/18

NOTICE OF ACCEPTANCE: EVIDENCE SUBMITTED

1. Evidence submitted under previous files.

A. DRAWINGS

1. Manufacturer's die drawings and sections (submitted under file listed below)
2. Drawing No. **AD10-09-002**, titled "Genstorm Louver Outswing Steel Door (LMI)", sheet 1 through 8 of 8, dated 02-05-2009 and last revised on AUG 03, 2015, prepared by MCY Engineering, Inc., signed and sealed by Yiping Wang, P.E.

B. TESTS (submitted under files #15-0526.03/#12-0223.31 /#10-0125.03)

1. Test reports on
 - 1) Air Infiltration Test, per FBC, TAS 202-94 (Not Performed)
 - 2) Uniform Static Air Pressure Test, Loading per FBC, TAS 202-94
 - 3) Water Resistance Test, per FBC, TAS 202-94 (Not performed)
 - 4) Large Missile Impact Test per FBC, TAS 201-94
 - 5) Cyclic Wind Pressure Loading per FBC, TAS 203-94
 - 6) Forced Entry Test, per FBC 2411 3.2.1 and TAS 202-94
 - 7) Tensile Test, per ASTM A370-05

Along with marked-up drawings and installation diagram of Genstorm Opaque, Glazed and Louvered Single and Double Swinging Doors, prepared by Fenestration Testing Laboratory, Inc., Test Report No. **5877**, dated 10/13/09, signed and sealed by Julio E. Gonzalez, P.E.

C. CALCULATIONS (submitted under files #15-0526.03)

1. Anchor verification calculations and structural analysis, complying with FBC-2014 (**5th Edition**), prepared by MCY Engineering, Inc., dated 05/15/15 and last revised on 08/03/15, signed and sealed by Yiping Wang, P.E.

D. QUALITY ASSURANCE

1. Miami Dade Department of Regulatory and Economic Resources (RER).

E. MATERIAL CERTIFICATIONS

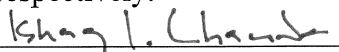
1. Tensile Test, per ASTM A370-05 item B (1) (7)
2. Tensile test report N0. FTL 6745 per ASTM A370-05 dated 12/01/11, issued by Fenestration Testing Lab, signed and sealed by Martin D. Brinson, P.E. (submitted under file # **10-0125.03**)

F. STATEMENTS

1. Statement letter of conformance to FBC 2014 (**5th Edition**), dated 08/03/15, prepared by MCY Engineering, Inc, signed and sealed by Yiping Wang, P.E.(submitted under files #**15-0526.03**)
2. Statement letter of Lab. Compliance, as a part of above test reports.

G. OTHER

1. This NOA **renews # 15-0526.03**, expiring on 07/14/21.
2. Test proposal No. **08-1489**, issued to Gensteel Door Inc, approved on 11/14/08.
3. Distribution agreement between GenSteel Door, Canada & North American Door Corp, N.Y. dated 10/22/10, signed by Bruno Gervasi and Antonio Gervasi, respectively.


Ishaq I. Chanda, P.E.
Product Control Examiner
NOA No. 18-0116.14
Expiration Date: July 14, 2021
Approval Date: March 06, 2018

NOTICE OF ACCEPTANCE: EVIDENCE SUBMITTED

2. New Evidence submitted

A. DRAWINGS

1. Drawing No. **AD10-09-002**, titled "Genstorm Louver Outswing Steel Door (LMI)", sheet 1 through 8 of 8, dated 02-05-2009 and last revised on JAN 02, 2018, prepared by MCY Engineering, Inc., signed and sealed by Yiping Wang, P.E.

B. Test

1. None.

C. CALCULATIONS

1. None.

D. QUALITY ASSURANCE

1. Miami Dade Department of Regulatory and Economic Resources (RER).

E. MATERIAL CERTIFICATIONS

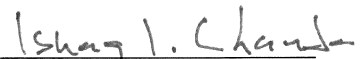
1. None.

F. STATEMENTS

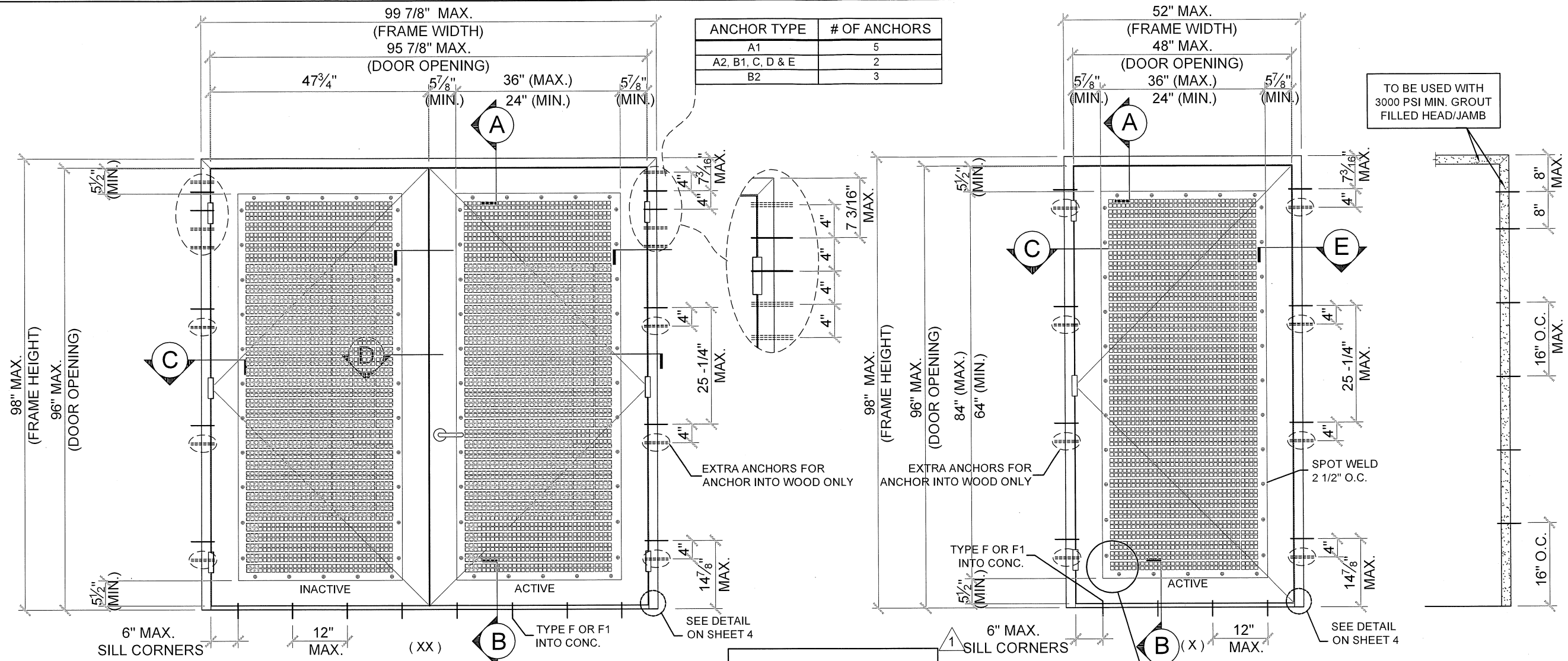
1. Statement letter of conformance to FBC 2017 (6th Edition), dated 01/02/18 , prepared by MCY Engineering, Inc., signed and sealed by Yiping Wang, P.E.

G. OTHER

1. This NOA **revises # 16-0407.09**, expiring 07/14/21.



Ishaq I. Chanda, P.E.
Product Control Examiner
NOA No. 18-0116.14
Expiration Date: July 14, 2021
Approval Date: March 06, 2018



ANCHOR TYPE	# OF ANCHORS
A1	5
A2, B1, C, D & E	2
B2	3

DOUBLE DOOR TYP. EXT. ELEVATION

SINGLE DOOR TYP. EXT. ELEVATION

**WIRE ANCHOR LAYOUT
TYPE G**

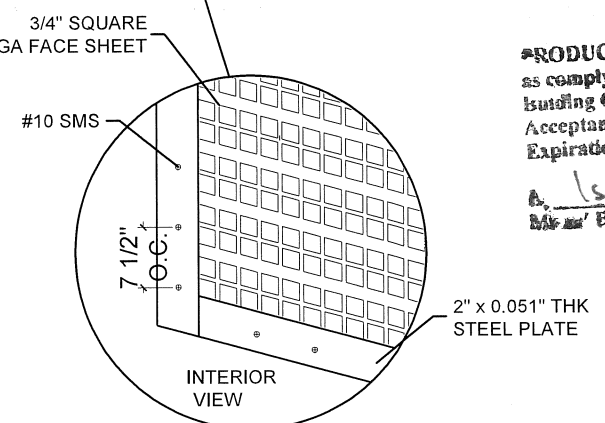
DESIGN LOAD
SEE DESIGN LOADS
AT SHEET 6 OF 8

SERIES GENSTORM LOUVER OUTSWING STEEL DOOR (LMI)

- THIS PRODUCT HAS BEEN DESIGNED AND TESTED TO COMPLY WITH THE REQUIREMENTS OF THE 6TH EDITION FLORIDA BUILDING CODE (2017) INCLUDING HIGH VELOCITY HURRICANE ZONE (HVHZ).
- DOORS RATED FOR LARGE MISSILE IMPACT AND DO NOT REQUIRE SHUTTERS.
- DOORS APPROVED FOR INSTALLATIONS WHERE WATER INFILTRATION RESISTANCE IS **NOT** REQUIRED.
- ANCHORS SHALL BE AS LISTED, SPACED AS SHOWN ON DETAILS. ANCHORS EMBEDMENT TO BASE MATERIAL SHALL BE BEYOND WALL DRESSING OR STUCCO.
- ANCHORING OR LOADING CONDITIONS NOT SHOWN IN THESE DETAILS ARE NOT PART OF THIS APPROVAL.
- MATERIALS INCLUDING BUT NOT LIMITED TO STEEL/METAL SCREWS THAT COME INTO CONTACT WITH OTHER DISSIMILAR MATERIALS SHALL MEET THE REQUIREMENTS OF THE 6TH EDITION FLORIDA BUILDING CODE (2017) SECTION AS APPLICABLE.
- METAL STRUCTURES NOT BY GENSTEEL DOOR CO. MUST SUPPORT LOADS IMPOSED BY DOOR SYSTEM AND TRANSFER THEM TO THE BUILDING STRUCTURE.

- 2xWOOD BUCKS BY OTHERS MUST BE ANCHORED PROPERLY TO TRANSFER LOADS TO THE STRUCTURE.
- A LOAD DURATION FACTOR IN ALLOWABLE STRESS IS USED IN DESIGN OF ANCHORS INTO WOOD ONLY.
- DOOR PANEL: MIN. 20 GA. (0.039") STEEL MIN. Fy = 42 KSI, Fu = 53 KSI MIN. DOOR FRAME: MIN. 18 GA. (0.048") STEEL MIN. Fy = 42 KSI, Fu = 53 KSI MIN.
- DOOR PANEL STAINLESS OPTION: 20 GA. (0.039") STAINLESS STEEL DOOR PANEL MEETING MIN. Fy = 42 KSI, Fu = 53 KSI MIN. OR BETTER MAY QUALIFY HAVING "MIL-CERTIFICATION" AS A VERIFICATION OF THE AVAILABLE MIN. YIELD STRENGTH.
- DOOR FRAME STAINLESS OPTION: 18 GA. (0.048") STAINLESS STEEL DOOR FRAME MEETING MIN Fy = 42 KSI, Fu = 53 KSI MIN. OR BETTER MAY QUALIFY HAVING "MIL-CERTIFICATE" AS A VERIFICATION OF THE AVAILABLE MIN. YIELD STRENGTH.

NOTES:
EGRESS REQUIREMENTS TO BE REVIEWED BY BUILDING OFFICIAL.



PRODUCT REVISED
as complying with the Florida Building Code
Acceptance No. 18-0116-14
Expiration Date July 14, 2021
A. Ishugl. Chaudhary
Miami Door Product Control

JAN 02 2018

YOUNG WANG, P.E.
FLORIDA REGISTRATION
PE #59983
C.A.N. 28677
No 55983

STATE OF FLORIDA
PROFESSIONAL ENGINEER

MIAMI DADE COUNTY

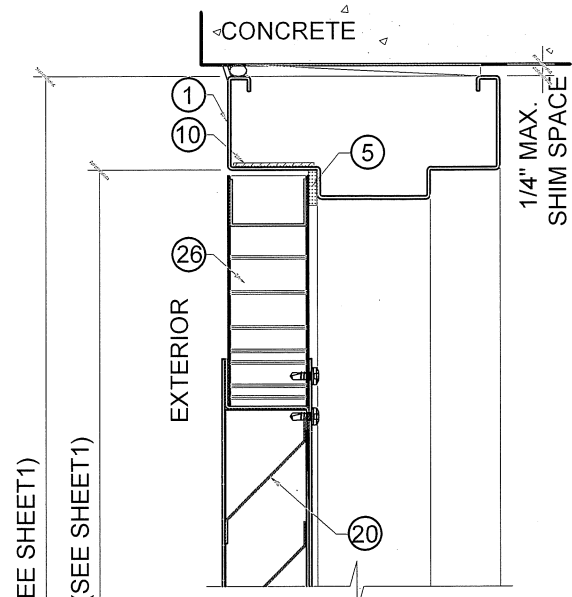
NO.	DATE	DESCRIPTION
1	05/24/10	AS PER BCCO COMMENTS
2	07/31/15	UPDATE TO 2014 FBC

MCY
MCY ENGINEERING, INC.
GLAZING CONSULTANTS
8501 SW 124 AVE. STE. 205A P: 305.271.0117
MIAMI, FL. 33183 F: 786.573.5063
www.MCYUS.com
www.MCYEngineering@Att.net

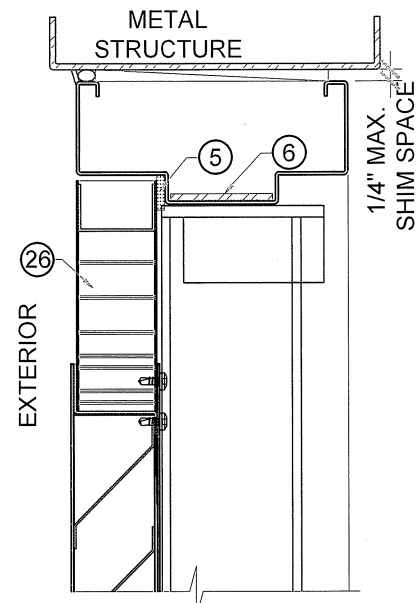
GENSTORM LOUVER OUTSWING STEEL DOOR (LMI)

gensteeldoors
4950 Hickmore, St. Laurent, Quebec, Canada H4T 1K6
Tel: 514.733.1932 Fax: 514.733.3562
www.gensteeldoors.com

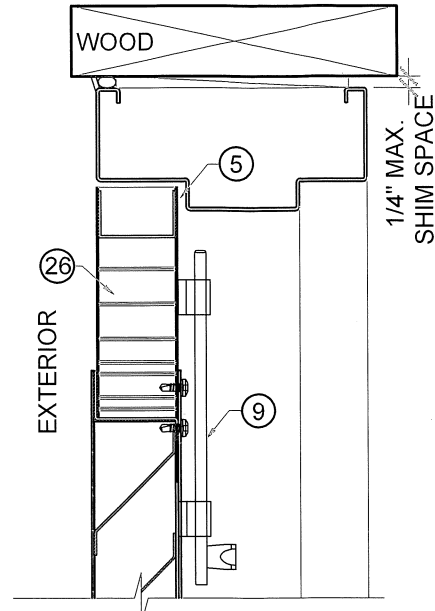
DATE	02-05-2009
SCALE	NTS.
DRAWN	S.L.
PROJECT	09-015
DRAWING NO.	AD-09-002
SHEET	1 OF 8



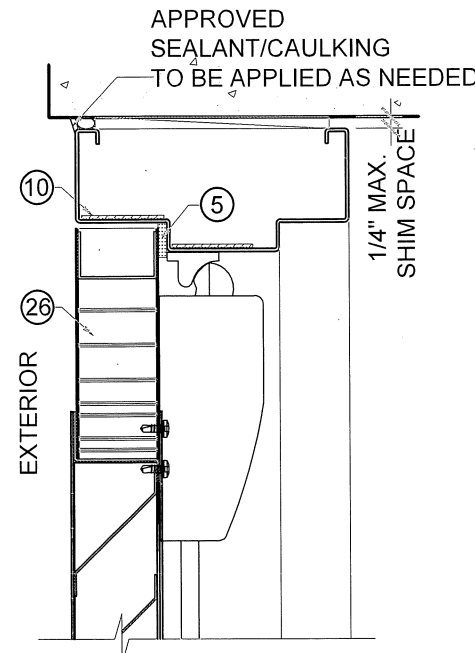
HEAD DETAIL A



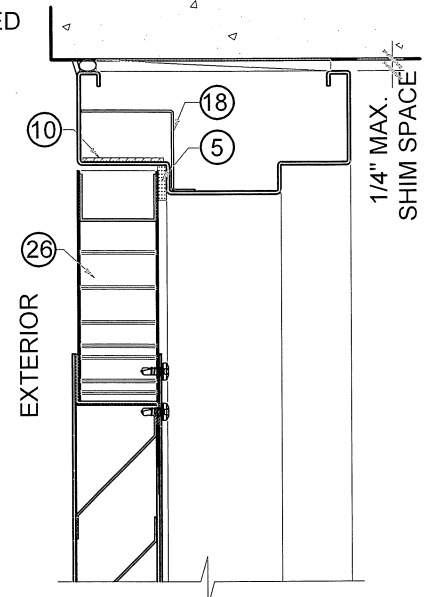
HEAD DETAIL A



HEAD DETAIL A

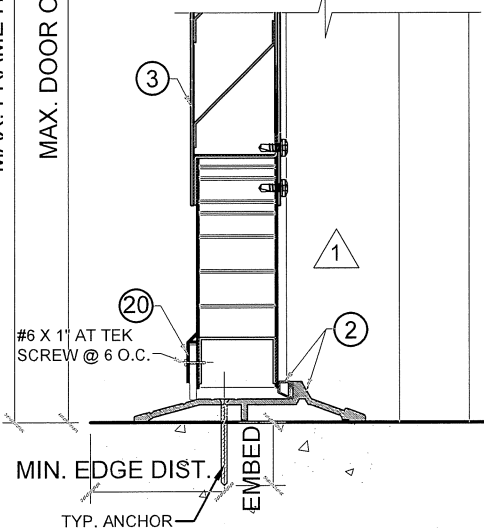


HEAD DETAIL A

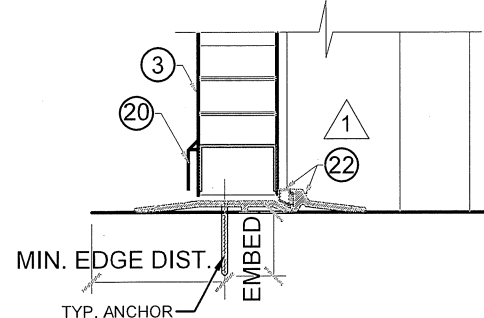


HEAD DETAIL A

MAX. FRAME HEIGHT (SEE SHEET 1)
MAX. DOOR OPENING (SEE SHEET 1)



TYPICAL THRESHOLD B
NOT RATED FOR WATER INFILTRATION (PEMCO 177AT96)



TYPICAL THRESHOLD B1
NOT RATED FOR WATER INFILTRATION (PEMCO 2005AT)

TYPICAL ANCHORS W/ EMA (EXISTING MASONRY ANCHOR) @ JAMB:

- TYPE A.** 5/16" DIA. ULTRACONS BY 'ELCO' Fy=155 KSI Fu = 177 KSI
(TYPE A1) DIRECTLY INTO 2BY WOOD BUCK
(TYPE A2) DIRECTLY INTO fc'=3000 PSI CONCRETE
1-1/2" MIN. EMBED
2-1/2" MIN. EDGE DISTANCE
- TYPE B.** 3/8" DIA. HLC SLEEVE ANCHOR BY 'HILTI'
(TYPE B1) DIRECTLY INTO fc'=3000 PSI CONCRETE, 3" MIN. EDGE DIST.
(TYPE B2) DIRECTLY INTO fc'=2000 PSI CONCRETE BLOCK, 3-1/2" MIN. EDGE DIST.
1-1/4" MIN. EMBED
- TYPE C.** 3/8" DIA. SLEEVE ANCHOR BY 'WEJ-IT'
DIRECTLY INTO fc'=4000 PSI CONCRETE, 2-3/8" MIN. EMBED
DIRECTLY INTO fc'=2000 PSI CONCRETE BLOCK, 1-1/4" MIN. EMBED
2-3/8" MIN. EDGE DISTANCE
- TYPE D.** 3/8" DIA. POWER BOLT BY 'POWERS'
DIRECTLY INTO fc'=3000 PSI CONCRETE
2-1/2" MIN. EMBED
3" MIN. EDGE DISTANCE
- TYPE E.** 5/16" DIA. SMS OR MACHINE BOLTS (MIN. GRADE 2 CRS) OR STST INTO METAL STRUCTURES (STEEL OR ALUMINUM 1/8" MIN. THICK.)
5/8" MIN. EDGE DISTANCE
STEEL : Fy = 36 KSI MIN.
ALUMINUM : 6063-T6 MIN.
(STEEL IN CONTACT WITH ALUMINUM TO BE PLATED OR PAINTED)

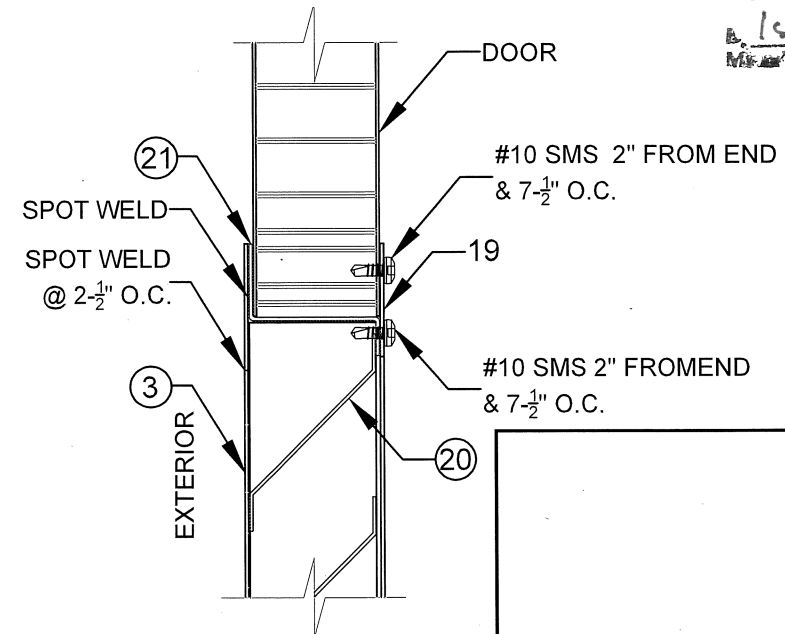
- TYPE G.** WIRE ANCHOR (Fy=60 KSI) MIN. 10" LONG
0.173 DIA. STEEL WIRE ANCHORS EMBED INTO CONCRETE BLOCK

SEALANT:
ALL FRAME JOINTS AND CORNERS TO BE SEALED WITH SILICONE AT PERIMETER

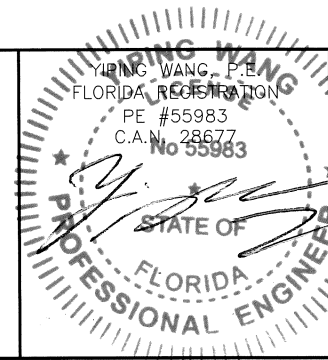
TYPICAL ANCHORS @ THRESHOLD:

- TYPE F.** 1/4" OR 5/16" DIA. ULTRACONS BY 'ELCO' Fy = 155 KSI Fu = 177 KSI
DIRECTLY INTO fc'=3000 PSI MIN. CONCRETE
1-1/2" MIN. EMBED
2-1/2" MIN. EDGE DISTANCE
- TYPE F1.** 1/4" TAPCON BY ITW Fy = 90 KSI Fu = 120 KSI
DIRECTLY INTO fc'=3000 PSI MIN. CONCRETE
1-1/2" MIN. EMBED
2-1/2" MIN. EDGE DISTANCE

PRODUCT REVISED
as complying with the Florida Building Code
Acceptance No. 18-0116-14
Expiration Date 7/14/21
M. Wang, P.E.
Miami Beach Product Control



LOUVER DETAIL



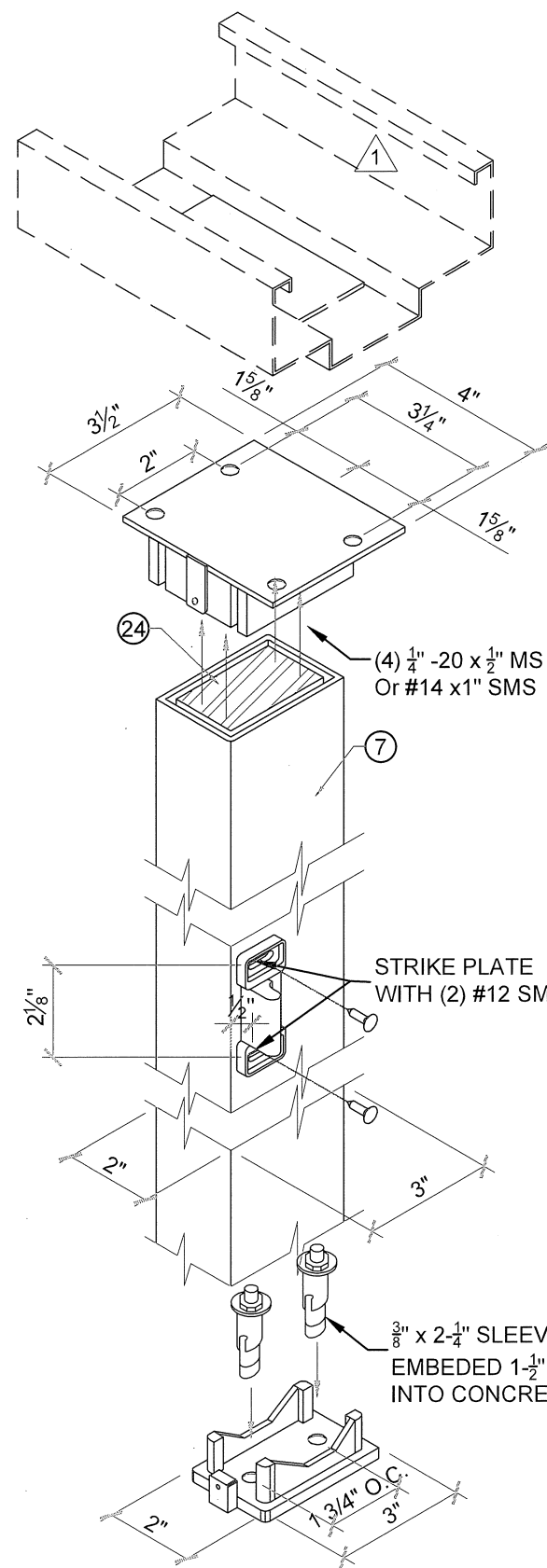
JAN 02 2018
MIAMI DADE COUNTY

NO.	DATE	DESCRIPTION
1	05/24/10	AS PER BCCO COMMENTS
2	07/31/15	UPDATE TO 2014 FBC

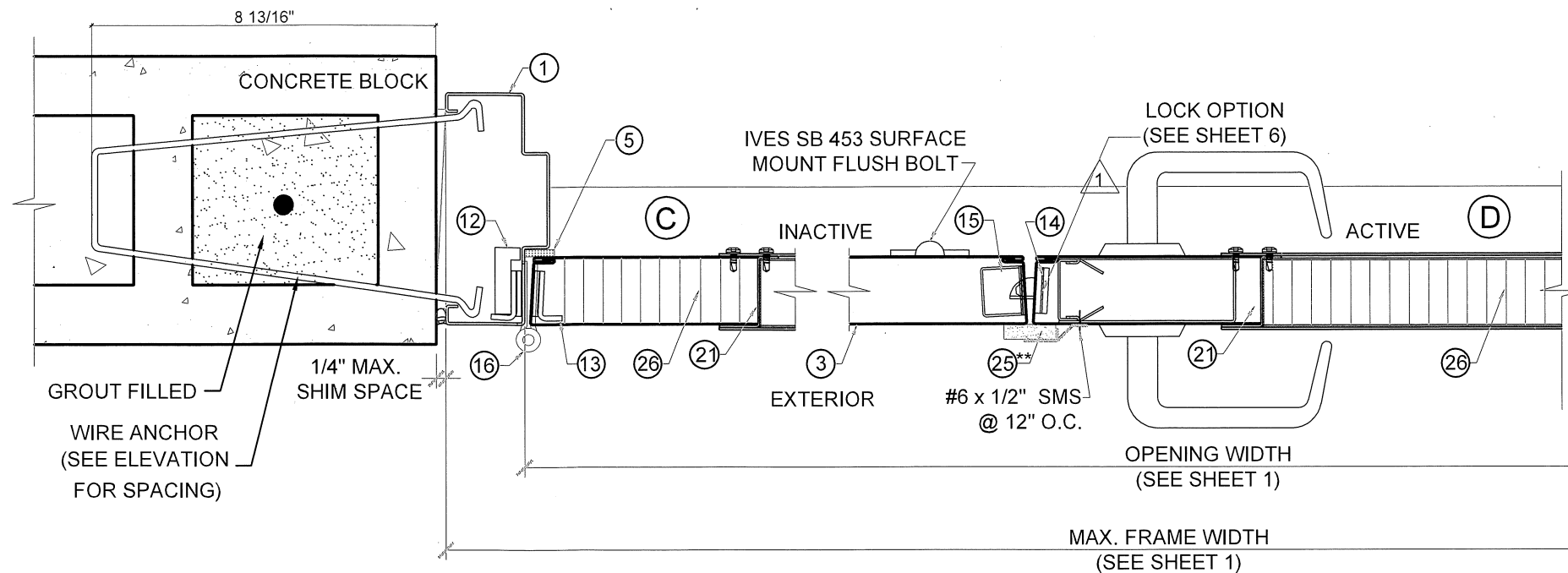
MCY ENGINEERING, INC.
GLAZING CONSULTANTS
8501 SW 124 AVE. STE. 205A P: 305.271.0117
MIAMI, FL. 33183 F: 786.573.5063
www.MCYUS.com
www.MCYUS.com
www.MCYUS.com

GENSTORM LOUVER OUTSWING STEEL DOOR (LMI)
gensteeldoors
4950 Hickmore, St. Laurent, Quebec, Canada H4T 1K6
Tel: 514.733.1932
Fax: 514.733.3562
www.gensteeldoors.com

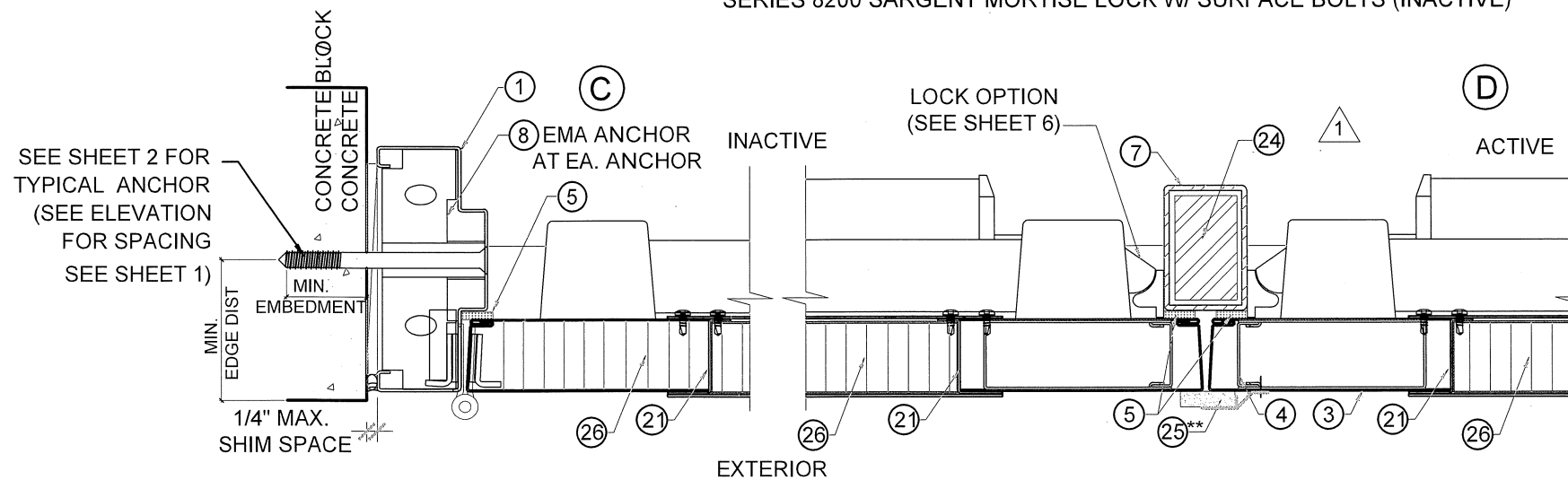
DATE	02-05-2009
SCALE	NTS.
DRAWN	S.L.
PROJECT	09-015
DRAWING NO.	AD-09-002
SHEET	2 OF 8



**HC822
REMOVABLE MULLION
W/REINFORCEMENT**



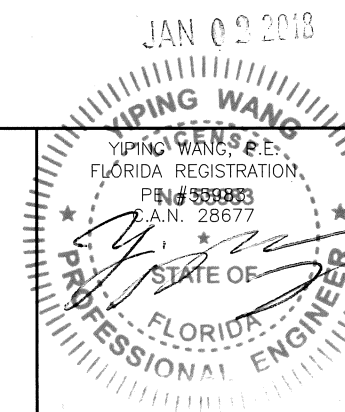
**LOCK OPTION # 1
SERIES 8200 SARGENT MORTISE LOCK W/ SURFACE BOLTS (INACTIVE)**



**LOCK OPTION # 2
PRECISION HC2100 RIM PANIC EXIT W/ HC822 REINFORCE MULLION**

***PRODUCT REVISED**
as complying with the Florida
Building Code
Acceptance No 18-0116-14
Expiration Date 7/14/21
Isang I. Chan
Miami Door Product Control

** 22 PEMKO 375 ASTRAGAL W/ SPONGE NEOPRENE



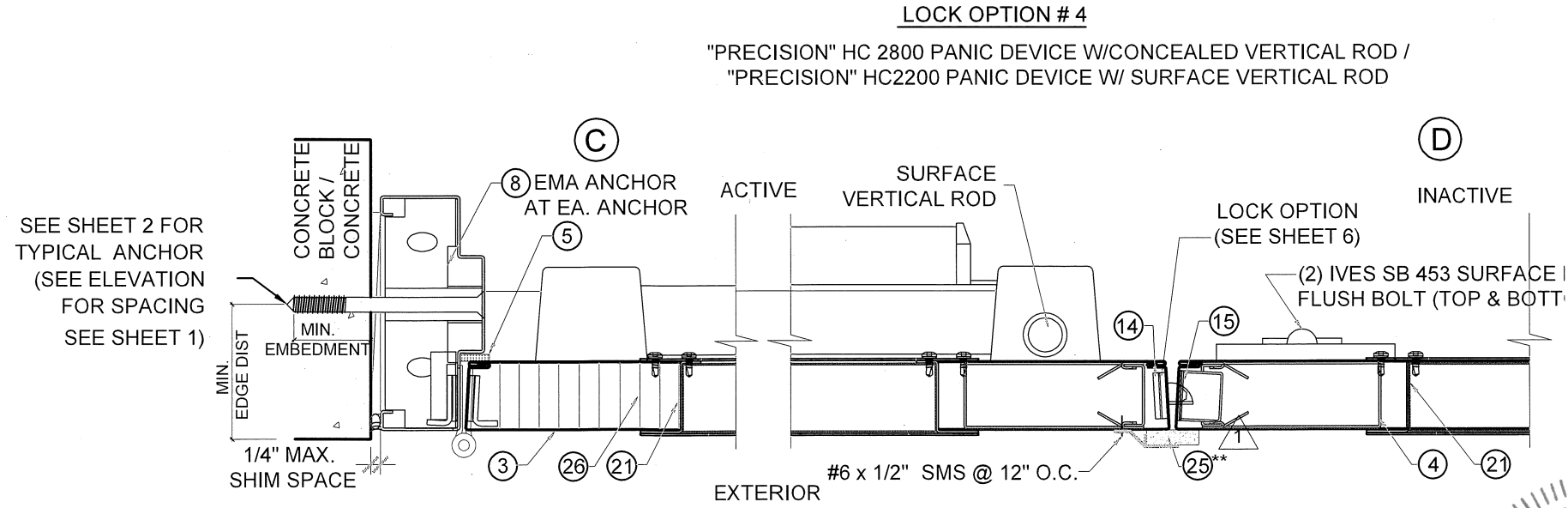
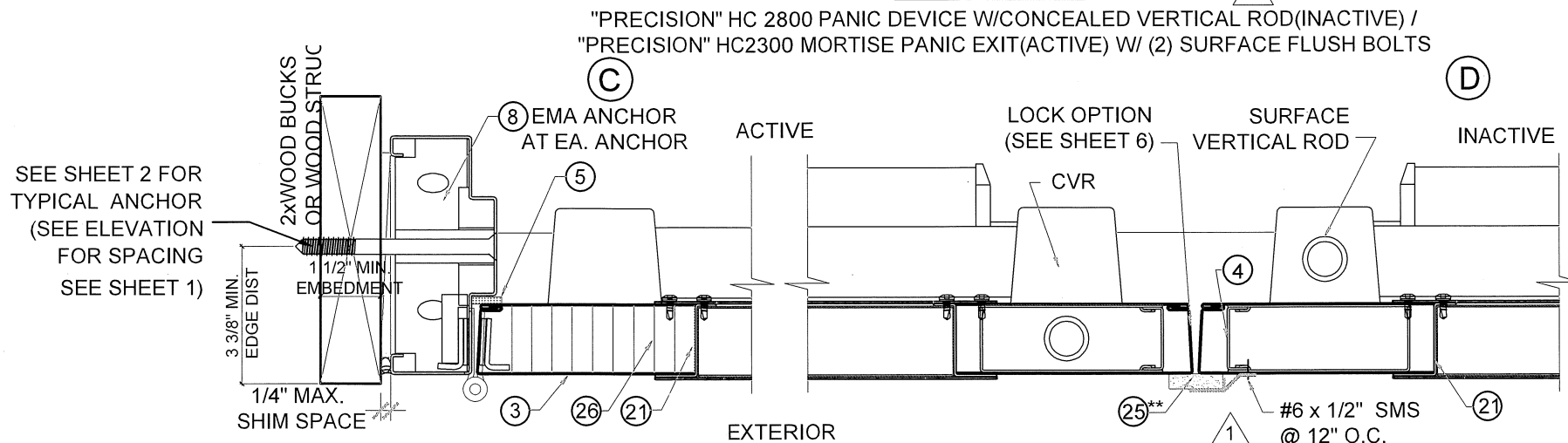
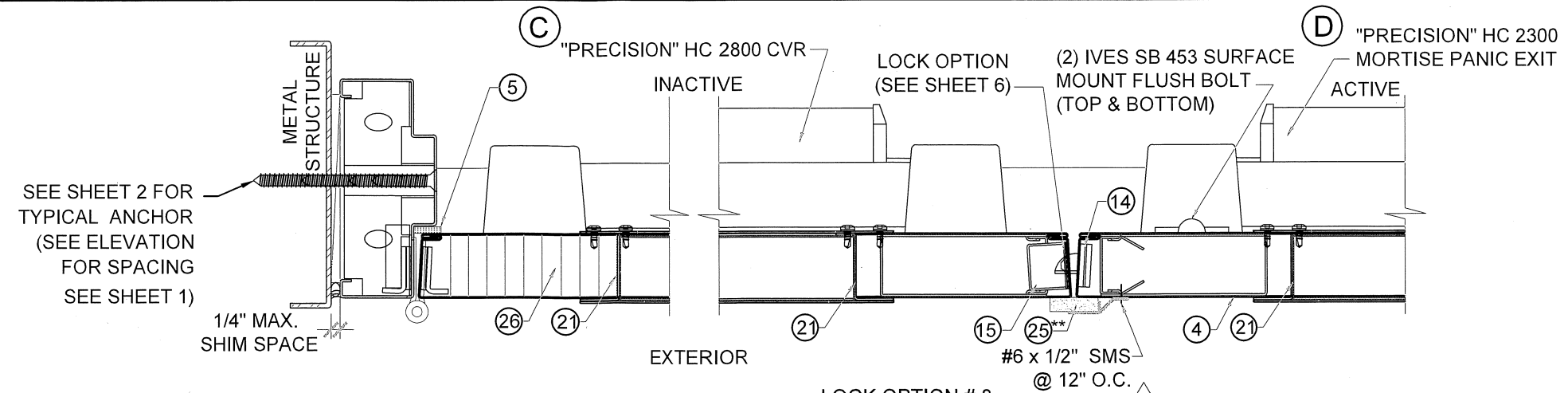
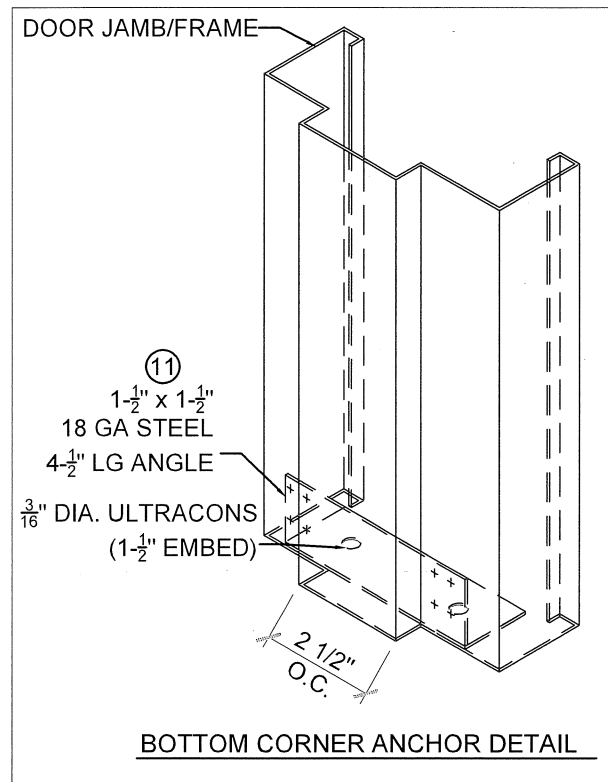
MIAMI DADE COUNTY

NO	DATE	DESCRIPTION
1	09/24/10	AS PER BCCO COMMENTS
2	07/31/15	UPDATE TO 2014 FBC

MCY ENGINEERING, INC.
GLAZING CONSULTANTS
8501 SW 124 AVE. STE. 205A P: 305.271.0117
MIAMI, FL 33183 F: 786.573.5063
www.MCYUS.com
www.MCYEngineering@Att.net

GENSTORM LOUVER OUTSWING STEEL DOOR (LMI)
gensteeldoors
4950 Hickmore, St. Laurent Quebec, Canada H4T 1K6
Tel: 514.733.1932
Fax: 514.733.3562
www.gensteeldoors.com

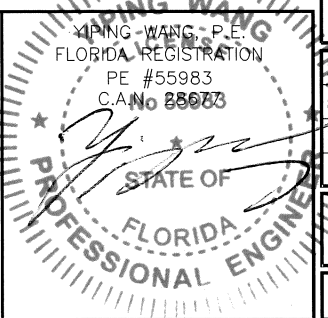
DATE	02-05-2009
SCALE	NTS.
DRAWN	S.L.
PROJECT	09-015
DRAWING NO.	AD-09-002
SHEET	3 OF 8



** 22 PEMKO 375 ASTRAGAL W/ SPONGE NEOPRENE

LOCK OPTION # 5
 "PRECISION" HC2200 PANIC DEVICE W/ SURFACE VERTICAL ROD (ACTIVE) /
 "IVES" SB453 SURFACE BOLTS (INACTIVE)

PRODUCT REVISED
 as complying with the Florida
 Building Code
 Acceptance No. 18-0116-14
 Expiration Date 7/14/21
 Xiping Wang
 Miami Dade Product Control

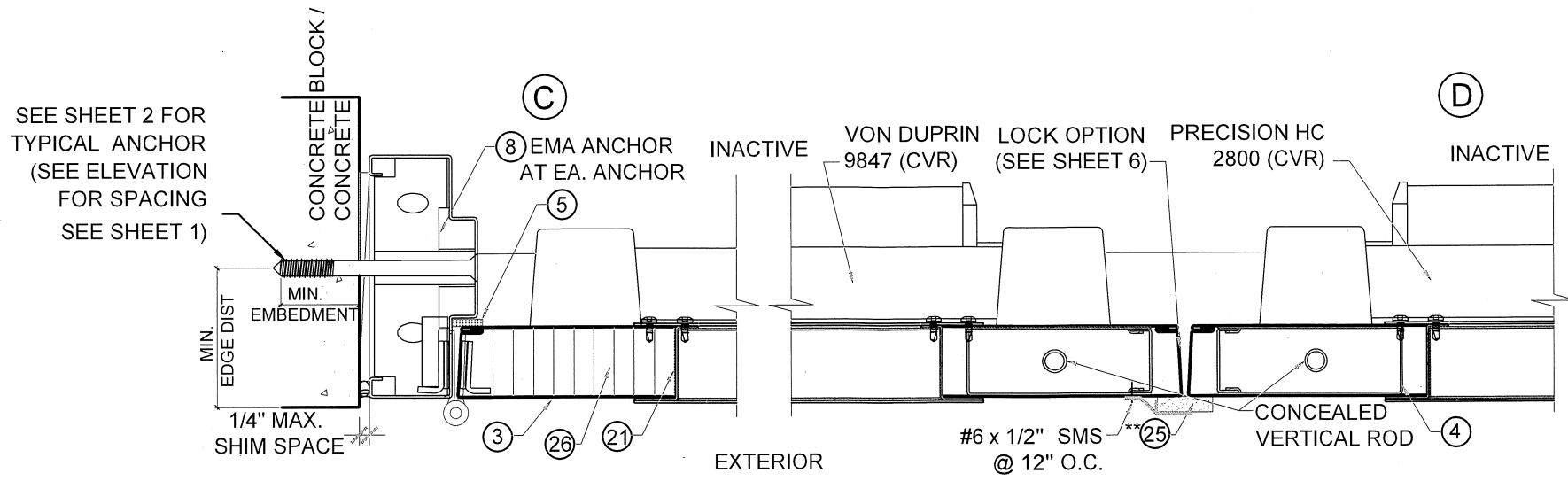


NO.	DATE	DESCRIPTION
1	05/24/10	AS PER BCOC COMMENTS
2	07/31/15	UPDATE TO 2014 FBC

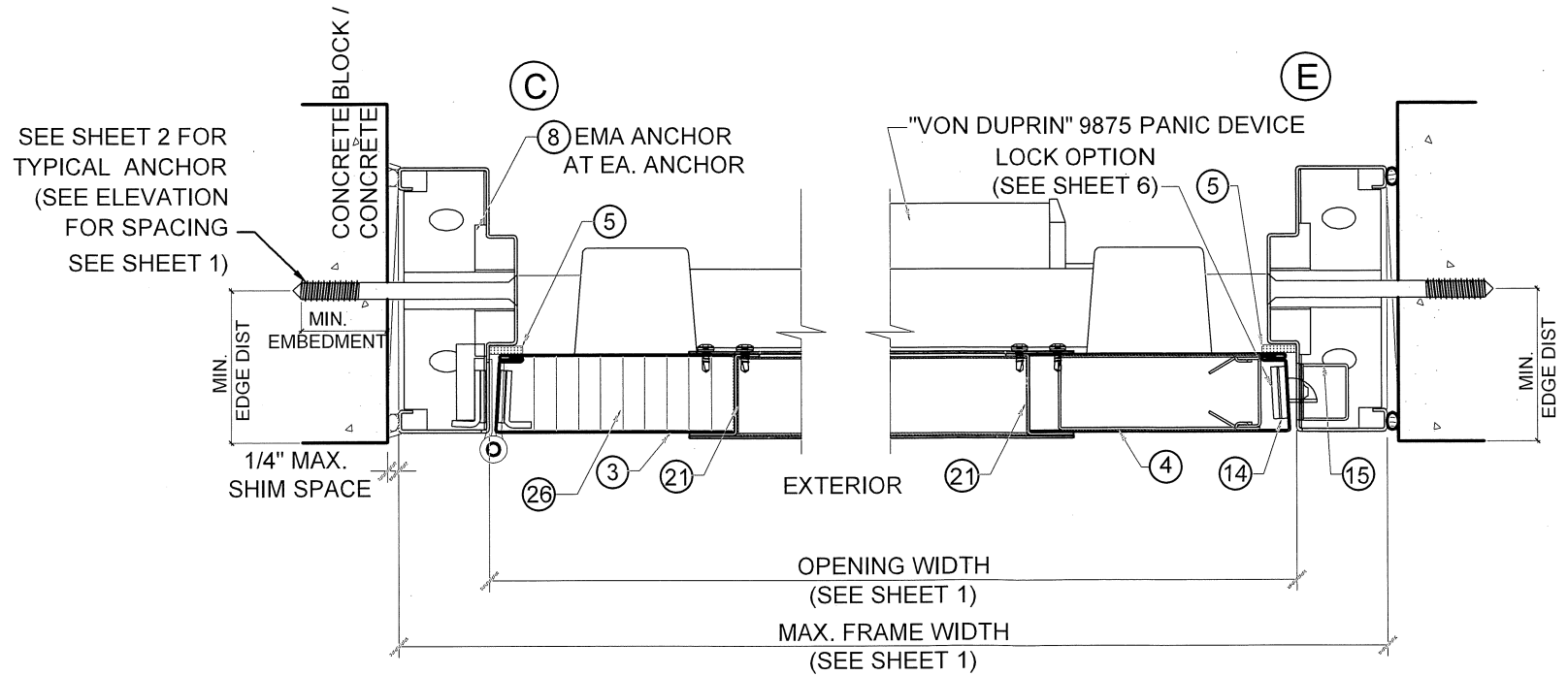
MCY
MCY ENGINEERING, INC.
 GLAZING CONSULTANTS
 8501 SW 124 AVE. STE. 205A P: 305.271.0117
 MIAMI, FL. 33183 F: 786.573.5063
 www.MCYUS.com
 MCY.Engineering@Att.net

GENSTORM LOUVER OUTSWING STEEL DOOR (LMI)
gensteeldoors
 4950 Hickmore, St. Laurent, Quebec, Canada H4T 1K6
 Tel: 514.733.1932
 Fax: 514.733.3562
 www.gensteeldoors.com

DATE	02-05-2009
SCALE	NTS.
DRAWN	S.L.
PROJECT	09-015
DRAWING NO.	AD-09-002
SHEET	4 OF 8



LOCK OPTION # 6
 "VON DUPRIN" 9847 PANIC DEVICE W/ CONCEALED VERTICAL ROD/
 "PRECISION" HC2800 PANIC DEVICE W/ CONCEALED VERTICAL ROD

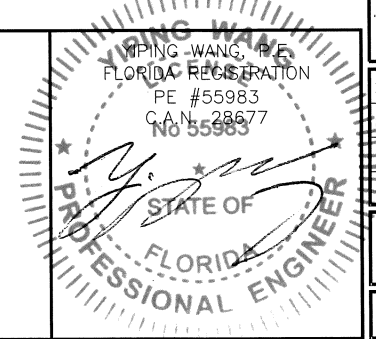


SINGLE LEAF LOCK OPTION # 7
 "VON DUPRIN" 9875 MORTISE PANIC EXIT DEVICE)

** 22 PEMKO 375 ASTRAGAL W/ SPONGE NEOPRENE

PRODUCT REVISED
 as complying with the Florida
 Building Code
 Acceptance No 18-0116-14
 Expiration Date 7/14/21
 B. Schmitt
 Manufacturer Product Control

JAN 03 2018



MIAMI DADE COUNTY

NO.	DATE	DESCRIPTION
1	05/24/10	AS PER BCCO COMMENTS
2	07/31/15	UPDATE TO 2014 FBC

MCY ENGINEERING, INC.
 GLAZING CONSULTANTS
 8501 SW 124 AVE. STE. 205A P: 305.271.0117
 MIAMI, FL 33183 F: 786.573.5063
 www.MCYUS.com
 MCY.Engineering@Att.net

GENSTORM LOUVER OUTSWING STEEL DOOR (LMI)
gensteeldoors
 4950 Hickmore, St. Laurent, Quebec, Canada H4T 1K6
 Tel: 514.733.3562 Fax: 514.733.1932
 www.gensteeldoors.com

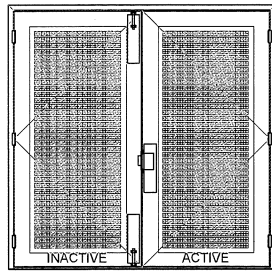
DATE	02-05-2009
SCALE	NTS.
DRAWN	S.L.
PROJECT	09-015
DRAWING NO.	AD-09-002
SHEET	5 OF 8

LOCK OPTIONS

LOCK OPTIONS FOR DOUBLE DOORS
CAN APPLY TO SINGLE DOORS

HINGES: STEEL MORTISE HINGES 3 PER LEAF.
LOCATED AT 9^{5/8}" MAX. FROM TOP OF DOOR TO
CENTER LINE OF 1ST HINGE. BALANCE TO BE
SPACED OUT NOT TO EXCEED 37-15/16" MAX. FROM
CL TO CL OF HINGE. TO BE FASTENED BY #12-24 x 1/2"
FLATHEAD MACHINE SCREWS.

NO	DATE	DESCRIPTION
1	05/24/10	AS PER BCCO COMMENTS
2	07/31/15	UPDATE TO 2014 FCC



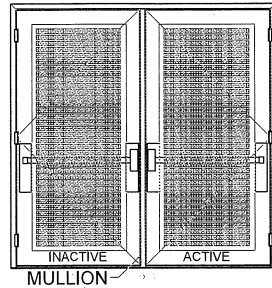
OPTION 1

ACTIVE LEAF:
"SARGENT" 8200 SURFACE MOUNT MORTISE LOCK WITH
HANDLE. WITH SURFACE MOUNT METALLIC DEAD-BOLT.
LOCATED 38" FROM BOTTOM WITH (2) 8-32 x 1/4" FH MS

INACTIVE LEAF:
6-3/4" LONG 18 GA STRIKE BOX TO BE FASTENED BY (2)#12-24
SCREWS
"IVES" SB453 SURFACE MOUNT MANUALLY OPERATED FLUSH
BOLT AT TOP AND BOTTOM. WITH (4) 1/4-20 x 1-3/8" FH MS

SURFACE MOUNT METALLIC STRIKE PLATE AT FRAME HEAD
TO BE FASTENED WITH (2) #10 x 1-1/4" FH SMS

DESIGN LOAD
(FOR SIZES SHOWN ABOVE OR SMALLER)
+80.0 PSF
-80.0 PSF



OPTION 2

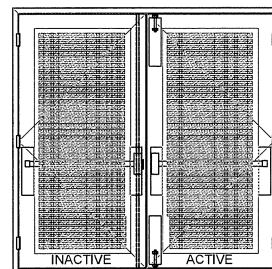
(PRECISION RIM EXIT W. MULLION)

ACTIVE LEAF:
"PRECISION" HC2100 RIM EXIT MECHANISM. SURFACE MOUNT
TWO POINT LOCK SYSTEM WITH ACTIVATING PANIC DEVICE
LOCATED 41-3/4" FROM BOTTOM WITH BY (4) 10-20 x 1-1/4" OH MS

INACTIVE LEAF:
"PRECISION" HC2100 RIM EXIT MECHANISM. SURFACE MOUNT
TWO POINT LOCK SYSTEM WITH PANIC DEVICE LOCATED
41-3/4" FROM BOTTOM WITH BY (4) 1/4-20 x 1" FH MS

REINFORCED MULLION:
HC822 PRECISION HARDWARE REMOVABLE WITH (4) 1/4" 20 x 1/2"
MS OR #14 x 1" SMS AT TOP. 3/8" x 2-1/4" SLEEVE ANCHOR
EMBEDDED 1-1/2" INTO CONCRETE AT BOTTOM.

DESIGN LOAD
(FOR SIZES SHOWN ABOVE OR SMALLER)
+65.0 PSF
-65.0 PSF

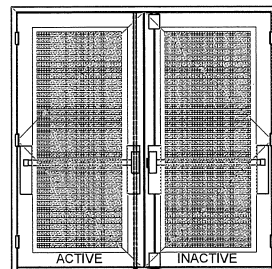


OPTION 3

ACTIVE LEAF:
"PRECISION" HC2300 MORTISE PANIC EXIT. SURFACE MOUNT
MANUALLY OPERATED FLUSH BOLT AT TOP AND BOTTOM.
WITH (4) 10 x 1-1/4" FH SMS

INACTIVE LEAF:
"PRECISION" HC2800 CONCEALED VERTICAL ROD. SURFACE
MOUNT TWO POINT LOCK SYSTEM WITH "PRECISION" PANIC
DEVICE LOCATED 40" FROM BOTTOM WITH (4) 10-24 x 1-1/4"
OH MS

DESIGN LOAD
(FOR SIZES SHOWN ABOVE OR SMALLER)
+65.0 PSF
-65.0 PSF



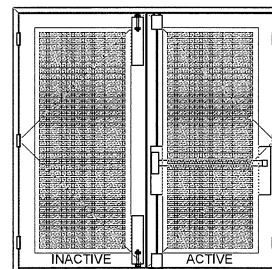
OPTION 4

ACTIVE LEAF:
"PRECISION" HC2800 CONCEALED VERTICAL ROD. SURFACE
MOUNT TWO POINT LOCK SYSTEM WITH PRECISION PANIC
DEVICE WITH (4) 10-24 x 1-1/4". LOCATED 39-1/2" FROM
BOTTOM

INACTIVE LEAF:
"PRECISION" HC2200 SURFACE VERTICAL ROD. SURFACE
MOUNT TWO POINT LOCK SYSTEM WITH PRECISION PANIC
DEVICE WITH (4) 10-24 x 1-1/4" OH MS. LOCATED 39-1/2" FROM
BOTTOM

(2)-SURFACE MOUNT METALLIC STRIKE PLATE AT HEAD TO
BE FASTENED WITH (2) 1/4-20 FH MS

DESIGN LOAD
(FOR SIZES SHOWN ABOVE OR SMALLER)
+65.0 PSF
-65.0 PSF

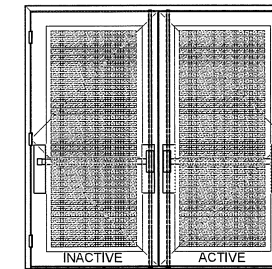


OPTION 5

ACTIVE LEAF:
"PRECISION" HC2200 SURFACE VERTICAL ROD.
(4) 10-24 x 1-1/4" OH MS. LOCATED 39-3/4" FROM BOTTOM

INACTIVE LEAF:
"IVES" SB453 SURFACE MOUNT MANUALLY OPERATED FLUSH
BOLT. TO BE FASTENED WITH (4) 12 x 1-1/4" FH MS

DESIGN LOAD
(FOR SIZES SHOWN ABOVE OR SMALLER)
+80.0 PSF
-80.0 PSF

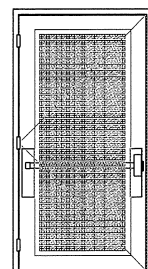


OPTION 6

ACTIVE LEAF:
"VCN DUPRIN" 9847 CONCEALED VERTICAL ROD WITH PANIC
DEVICE WITH (2) 8-32 x 3/8" FH MS. LOCATED 39-3/4" FROM
BOTTOM

INACTIVE LEAF:
"PRECISION" HC2800 CONCEALED VERTICAL ROD. SURFACE
MOUNT TWO POINT LOCK SYSTEM WITH PANIC DEVICE WITH
(4) 10-24 x 1-1/4". LOCATED 39-1/2" FROM BOTTOM

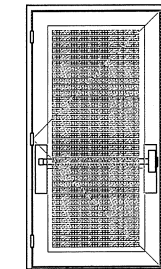
DESIGN LOAD
(FOR SIZES SHOWN ABOVE OR SMALLER)
+80.0 PSF
-80.0 PSF



OPTION 7

SINGLE PANEL DOOR ONLY:
"VON DUPRIN" 9875 MORTISE PANIC EXIT WITH (2) 8-32 x 3/8"
FH MS.
LOCATED 39-3/4" FROM BOTTOM

DESIGN LOAD
(FOR SIZES SHOWN ABOVE OR SMALLER)
+65.0 PSF
-65.0 PSF

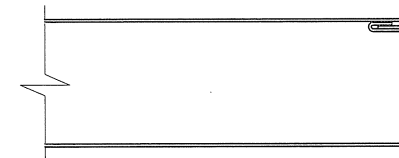


OPTION 8

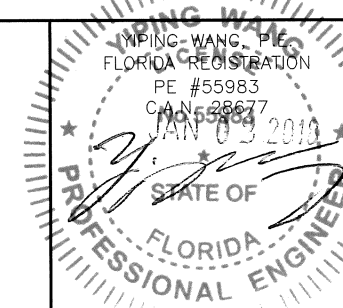
SINGLE PANEL DOOR ONLY:
"PRECISION" HC2100 RIM EXIT MECHANISM.
SURFACE MOUNT TWO POINT LOCK SYSTEM WITH
ACTIVATING PANIC DEVICE LOCATED 41-3/4" FROM
BOTTOM WITH BY (4) 10-20 x 1-1/4" OH MS

DESIGN LOAD
(FOR SIZES SHOWN ABOVE OR SMALLER)
+80.0 PSF
-80.0 PSF

PRODUCT REVISED
as complying with the Florida
Building Code
Acceptance No. 18-0116.14
Expiration Date 2/14/21
By: [Signature]
Manufacturer Product Control



DOOR EDGE CONSTRUCTION



MIAMI DADE COUNTY

MCY ENGINEERING, INC.
GLAZING CONSULTANTS

8501 SW 124 AVE. STE. 205A P: 305.271.0117
MIAMI, FL. 33183 F: 786.573.5063

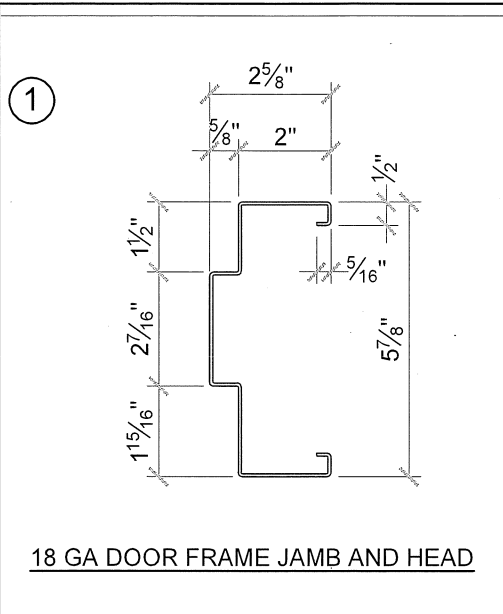
www.MCYUS.com
www.MCYEngineering@Att.net

GENSTORM LOUVER OUTSWING STEEL DOOR (LMI)

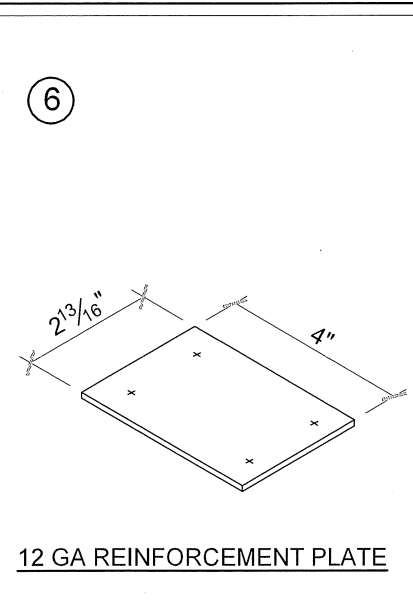
gensteeldoors

4950 Hickmore, St. Laurent, Quebec, Canada H4T 1K6
Tel: 514.733.3562 Fax: 514.733.1932
www.gensteeldoors.com

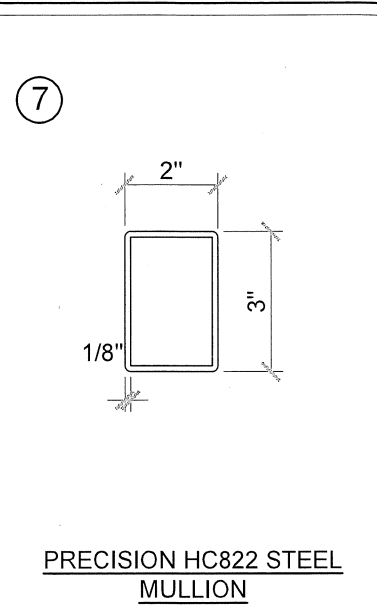
DATE	02-05-2009
SCALE	NTS.
DRAWN	S.L.
PROJECT	09-015
DRAWING NO.	AD-09-002
SHEET	6 OF 8



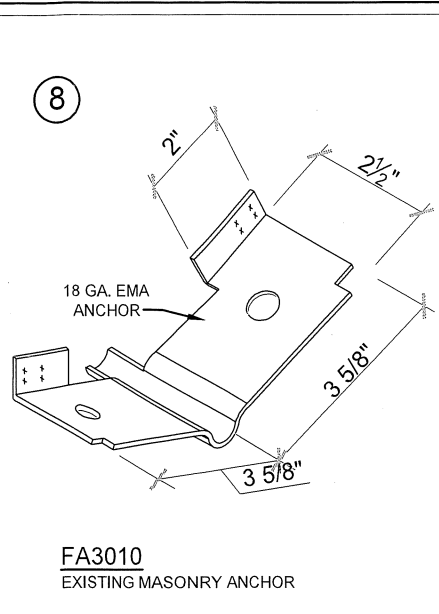
18 GA DOOR FRAME JAMB AND HEAD



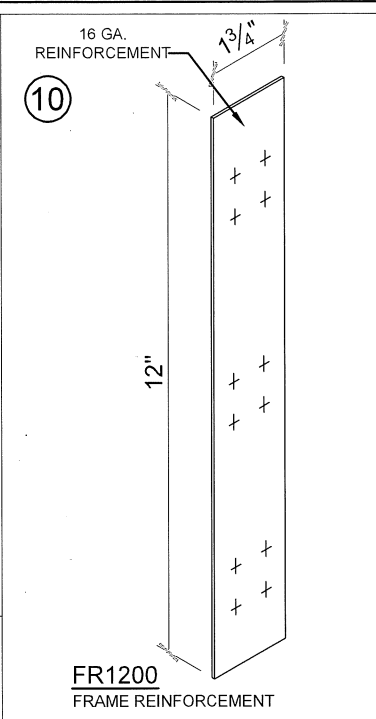
12 GA REINFORCEMENT PLATE



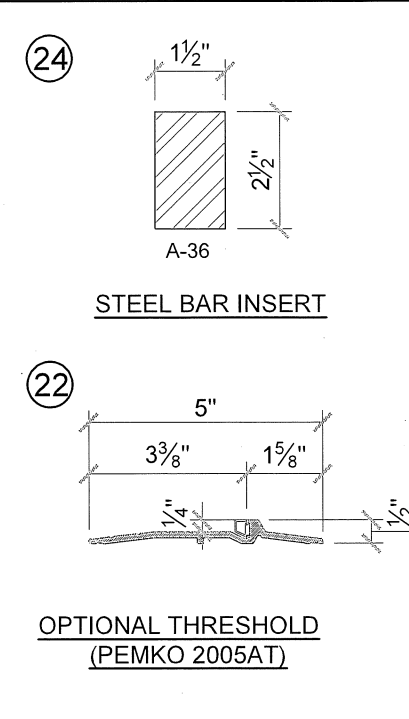
PRECISION HC822 STEEL MULLION



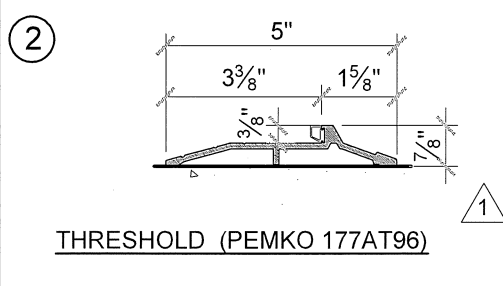
FA3010
EXISTING MASONRY ANCHOR



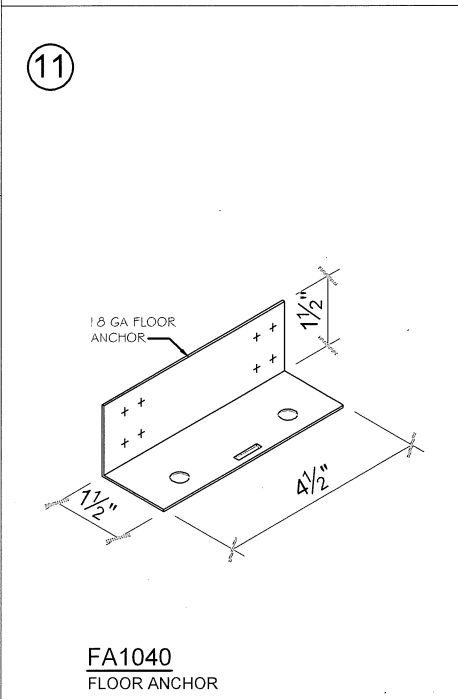
FR1200
FRAME REINFORCEMENT



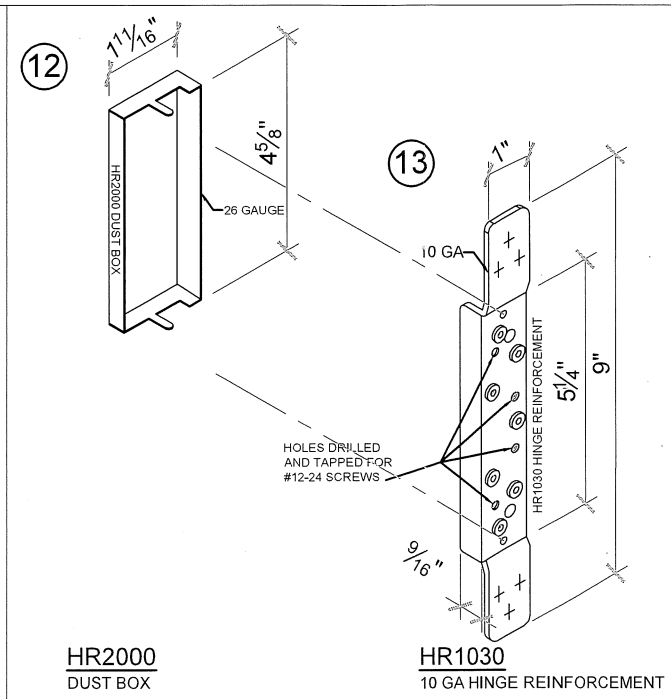
OPTIONAL THRESHOLD
(PEMCO 2005AT)



THRESHOLD (PEMCO 177AT96)

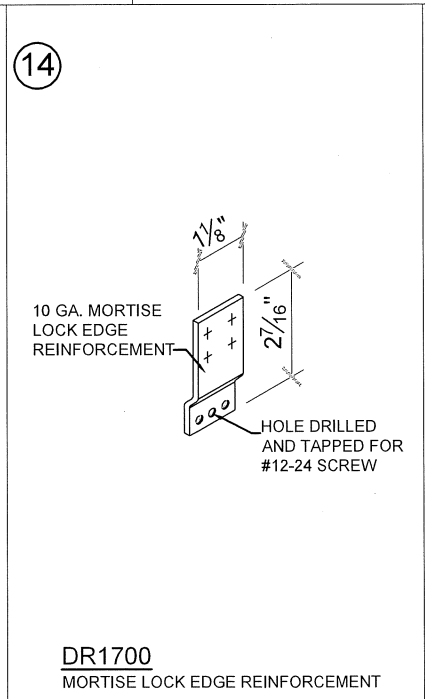


FA1040
FLOOR ANCHOR

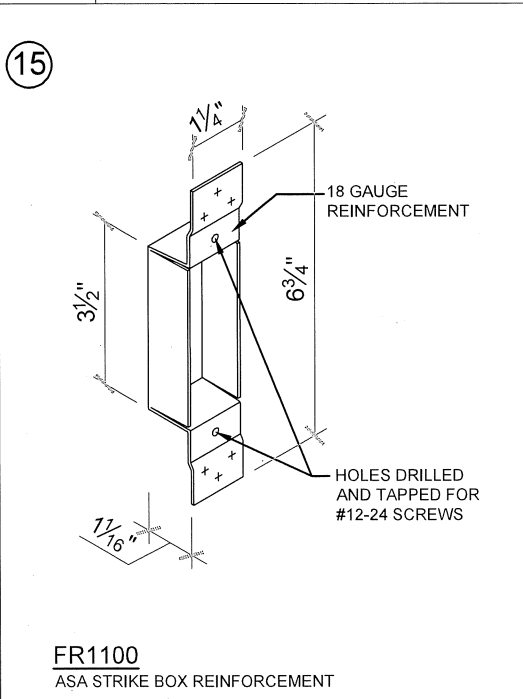


HR2000
DUST BOX

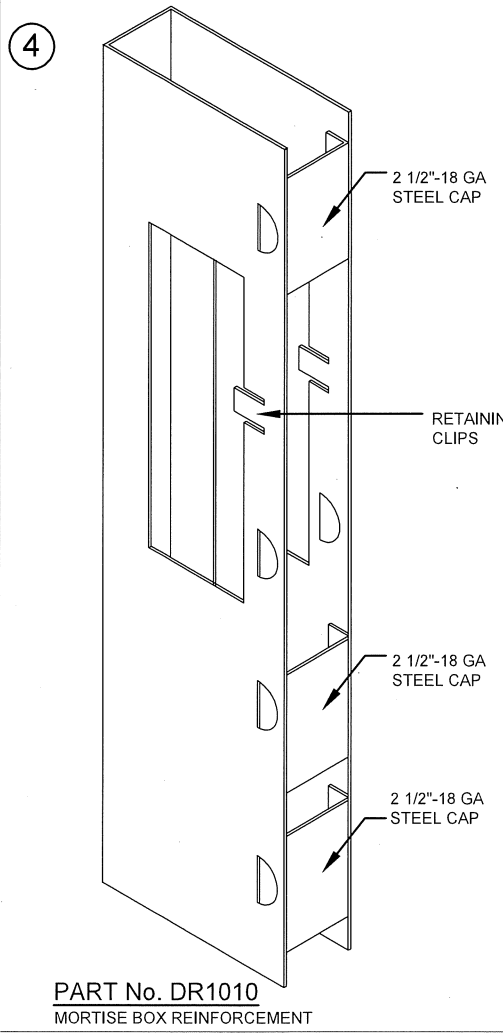
HR1030
10 GA HINGE REINFORCEMENT



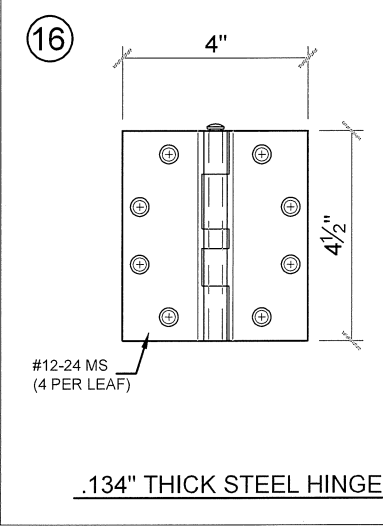
DR1700
MORTISE LOCK EDGE REINFORCEMENT



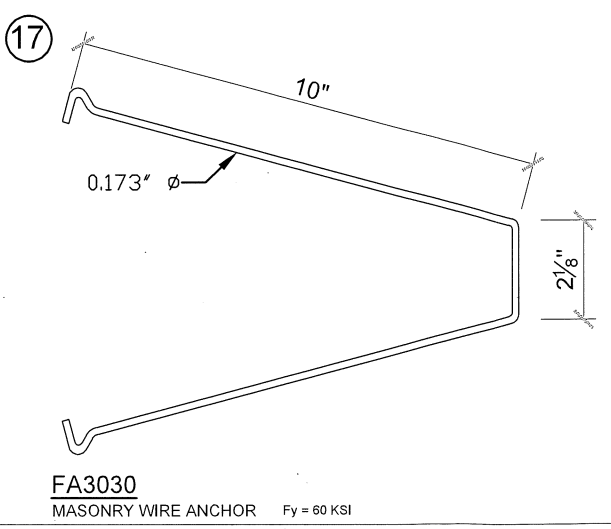
FR1100
ASA STRIKE BOX REINFORCEMENT



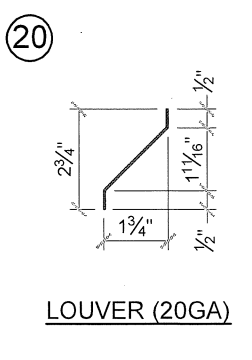
PART No. DR1010
MORTISE BOX REINFORCEMENT



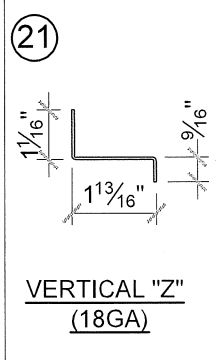
.134" THICK STEEL HINGE



FA3030
MASONRY WIRE ANCHOR Fy = 60 KSI



LOUVER (20GA)



VERTICAL "Z"
(18GA)

PRODUCT REVISED
as complying with the Florida
Building Code
Acceptance No. 18-0116-14
Expiration Date 7/14/21
Ismael Chantre
Miami Steel Products Control

JAN 08 2018

YIPING WANG, P.E.
FLORIDA REGISTRATION
PE #55983
C.A.N. 28677
No 55983

STATE OF
FLORIDA
PROFESSIONAL ENGINEER

MIAMI DADE COUNTY

NO.	DATE	DESCRIPTION
1	05/24/10	AS PER BCCO COMMENTS
2	07/31/15	UPDATE TO 2014 FBC

MCY ENGINEERING, INC.
GLAZING CONSULTANTS

8501 SW 124 AVE. STE. 205A P: 305.271.0117
MIAMI, FL. 33183 F: 786.573.5063
www.MCYUS.com

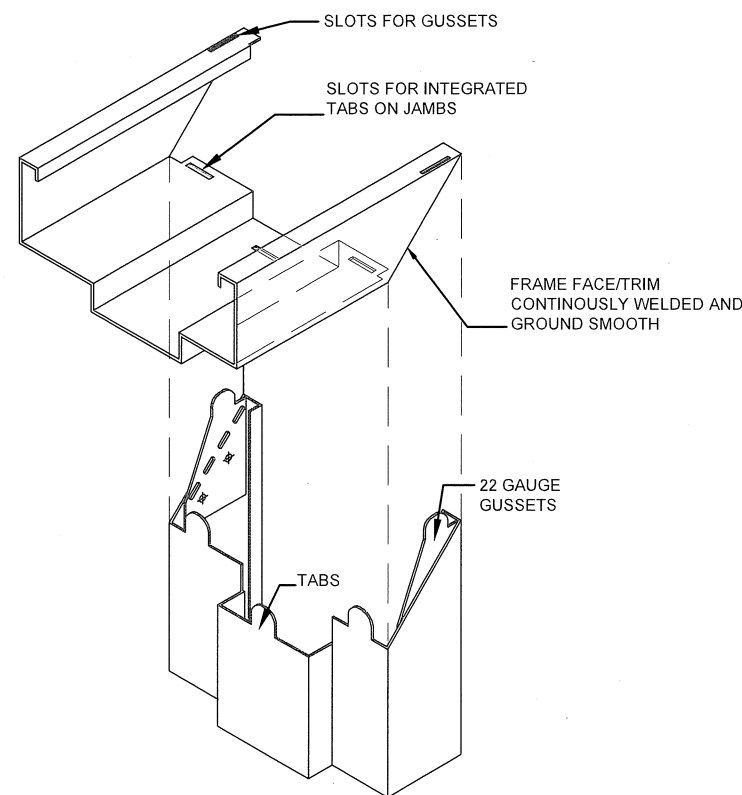
gensteeldoors
GENSTORM LOUVER OUTSWING STEEL DOOR (LMI)

4950 Hickmore, St. Laurent, Quebec, Canada H4T 1K6
Tel: 514.733.1932 Fax: 514.733.3562
www.gensteeldoors.com

DATE	02-05-2009
SCALE	NTS.
DRAWN	S.L.
PROJECT	09-015
DRAWING NO.	AD-09-002
SHEET	7 OF 8

BILL OF MATERIALS

ITEM	PART No.	MATERIAL	QTY.	DESCRIPTION	MANUFACTURER/SUPPLIER/ REMARKS
1	-	STEEL DR ST/ST	AS REQD.	FRAME HEAD/JAMB (5-7/8" x 2")	18 GA. (0.048MIN.) Fy= 42KSI MIN.
2	PMK177	ALUM.	1	THRESHOLD WITH THERMO SEAL INSERT ¹	PEMKO 177AT
3	-	STEEL DR ST/ST	AS REQD.	3/4" SQUARE DOOR PANEL SPOT WELDED GRILL AT EXTERIOR FACE	18 GA. (0.036MIN) Fy= 42 KSI MIN.
4	DR1010	STEEL	AS REQD.	MORTISE BOX REINFORCEMENT	GENSTEEL
5	P 387	-	AS REQD.	PEMKO 387 CLOSED CELL SPONGE WEATHERSTRIP	PEMKO
6	-	STEEL	AS REQD.	¹ 2-3/16" x 4" 12 GA. STEEL REINFORCEMENT	GENSTEEL
7	HC822	STEEL	AS REQD.	2' X 3' X 1/8" REMOVABLE MULLION	PRECISION HARDWARE HC822 Fy=46 KSI
8	FA3010	STEEL	AS REQD.	EXISTING MASONRY ANCHOR	GENSTEEL
9	SB453	-	AS REQD.	SURFACE BOLT	IVES SB453
10	FR1200	STEEL	AS REQD.	1-3/4" x 12" 16 GA. FRAME REINFORCEMENT	GENSTEEL
11	FA1040	STEEL	2	FLOOR ANCHOR 18 GA. (1-1/2" x 1-1/2" x 4-1/2" LG)	GENSTEEL
12	HR2000	STEEL	3 PER LEAF	HINGE DUSTBOX	GENSTEEL
13	HR1030	STEEL	3 PER LEAF	HINGE REINFORCEMENT WELDED TO FRAME	GENSTEEL
14	DR1700	STEEL	AS REQD.	MORTISE LOCK EDGE REINFORCEMENT WELDED	GENSTEEL
15	FR1100	STEEL	AS REQD.	ASA STRIKE BOX	GENSTEEL
16	179-454	STEEL	3 PER LEAF	DOREX, HAGER #179-454-15 HINGE	STANLEY
17	FA3030	STEEL	AS REQD.	MASONRY WIRE ANCHOR	.173 DIA. FY=60 KSI
18	-	STEEL	AS REQD.	20GA. DUSTBOX	GENSTEEL
19	-	STEEL	AS REQD.	2" x .105" PERFORATED STEEL PLATE	GENSTEEL
20	-	STEEL	AS REQD.	20 GA. LOUVER BLADES	GENSTEEL
21	-	STEEL	AS REQD.	VERTICAL "Z"	GENSTEEL
22	PMK 2005AT	ALUM.	AS REQD.	OPTIONAL THRESHOLD WITH THERMO SEAL INSERT	PEMKO 2005AT
23	PEMKD0315-N	-	1 PER LEAF.	WEATHERSTRIP AT BOTTOM OF PANEL	PEMKO
24	-	STEEL	1 PER MULLION	1 1/2" x 2 1/2" FULL LENGTH STEEL BAR REINFORMENT	A36 PRECISION HARDWARE HC822 INSERT
25	PEMKO P375	-	AS REQD.	PEMKO 375CR ASTRAGAL WITH SPONGE NEOPRENE	PEMKO WEATHERSTRIPPING
26	HONEYCOMB	ALUM.	AS REQD.	INSIDE OF DOOR PANEL	GENSTEEL

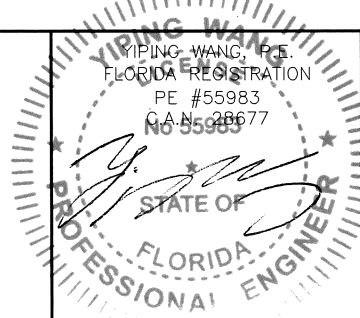


CORNER FRAME CONSTRUCTION

PRODUCT REVIEWED
 as complying with the Florida
 Building Code
 Acceptance No. 18-0116-14
 Expiration Date July 14, 2021
 By Isaac J. Charde
 Title: Senior Product Control

¹

JAN 03 2018



MIAMI DADE COUNTY

NO.	DATE	DESCRIPTION
1	05/24/10	AS PER BCCO COMMENTS
2	07/21/15	UPDATE TO 2014 FCC

MCY

MCY ENGINEERING, INC.
 GLAZING CONSULTANTS

8501 SW 124 AVE. STE. 205A P. 305.271.0117
 MIAMI, FL. 33183 F. 786.573.5063

www.MCYUS.com
 MCY.Engineering@Att.net

GENSTORM LOUVER OUTSWING STEEL DOOR (LMI)

gensteeldoors

4950 Hickmore, St. Laurent, Quebec, Canada H4T 1K6
 Tel: 514.733.1932 Fax: 514.733.1932
 www.gensteeldoors.com

DATE	02-05-2009
SCALE	N.T.S.
DRAWN	S.L.
PROJECT	09-015
DRAWING NO.	
AD-09-002	
SHEET 8 OF 8	