



DEPARTMENT OF REGULATORY AND ECONOMIC RESOURCES (RER)  
 BOARD AND CODE ADMINISTRATION DIVISION

**NOTICE OF ACCEPTANCE (NOA)**

**Gensteel Doors Inc.**  
**4950 Hickmore Street**  
**Ville St. Laurent, Quebec, Canada H4T1K6**

**SCOPE:**

This NOA is being issued under the applicable rules and regulations governing the use of construction materials. The documentation submitted has been reviewed and accepted by Miami-Dade County RER -Product Control Section to be used in Miami Dade County and other areas where allowed by the Authority Having Jurisdiction (AHJ). This NOA shall not be valid after the expiration date stated below. The Miami-Dade County Product Control Section (In Miami Dade County) and/or the AHJ (in areas other than Miami Dade County) reserve the right to have this product or material tested for quality assurance purposes. If this product or material fails to perform in the accepted manner, the manufacturer will incur the expense of such testing and the AHJ may immediately revoke, modify, or suspend the use of such product or material within their jurisdiction. RER reserves the right to revoke this acceptance, if it is determined by Miami-Dade County Product Control Section that this product or material fails to meet the requirements of the applicable building code.

This product is approved as described herein, and has been designed to comply with the Florida Building Code, including the High Velocity Hurricane Zone.

**DESCRIPTION: Series "GenStorm" Flush Outswing Steel Doors**

**APPROVAL DOCUMENT:** Drawing No. **AD10-09-001**, titled "Genstorm Opaque Outswing Steel Door System (LMI)", sheet 1 through 8 of 8, dated 10-22-99 and last revised on Nov 15, 2017, prepared by MCY Engineering, Inc., signed and sealed by Yiping Wang, P.E., bearing the Miami-Dade County Product Control Revision stamp with the Notice of Acceptance number and expiration date by the Miami-Dade County Product Control Section.

**MISSILE IMPACT RATING: Large Missile Impact Resistant**

**Limitations:**

1. Doors are rated for water infiltration requirement w/ threshold B (w/ item #22 & cell foam tape entire frame perimeter)
2. Lock Options # 3 & 5 in sheet 6, require total two (2) flush bolts (top/bottom) on active panel of the single or double doors.

**LABELING:** Each unit shall bear one of the following permanent labels:

Gensteel Doors Inc.	Gensteel Doors Inc.	North American Doors Corp.
4950 Hickmore Street	2335 Industrial Park Drive	1471 Military Turnpike
Ville St. Laurent, Quebec, Canada H4T1K6	Cornwall, Ontario, Canada K6H7M4	Plattsburgh, NY 12901-1911

and series and the statement: "Miami-Dade County Product Control Approved".

**RENEWAL** of this NOA shall be considered after a renewal application has been filed and there has been no change in the applicable building code negatively affecting the performance of this product.

**TERMINATION** of this NOA will occur after the expiration date or if there has been a revision or change in the materials, use, and/or manufacture of the product or process. Misuse of this NOA as an endorsement of any product, for sales, advertising or any other purposes shall automatically terminate this NOA. Failure to comply with any section of this NOA shall be cause for termination and removal of NOA.

**ADVERTISEMENT:** The NOA number preceded by the words Miami-Dade County, Florida, and followed by the expiration date may be displayed in advertising literature. If any portion of the NOA is displayed, then it shall be done in its entirety.

**INSPECTION:** A copy of this entire NOA shall be provided to the user by the manufacturer or its distributors and shall be available for inspection at the job site at the request of the Building Official.

This NOA revises NOA #16-0407.10 and consists of this page 1 and evidence pages E-1 & E-2, as well as approval document mentioned above.

The submitted documentation was reviewed by **Ishaq I. Chanda, P.E.**



12/22/17

**NOTICE OF ACCEPTANCE: EVIDENCE SUBMITTED**

**1. Evidence submitted in previous files**

**A. DRAWINGS**

1. Manufacturer's die drawings and sections (submitted under file listed below)
2. Drawing No. **AD10-09-002**, titled "Genstorm Louver Outswing Steel Door (LMI)", sheet 1 through 8 of 8, dated 02-05-2099 and last revised on AUG 03, 2015, prepared by MCY Engineering, Inc., signed and sealed by Yiping Wang, P.E.

**B. TESTS (submitted under files #15-0526.04/#12-0223.32 /#10-0121.07/#05-0127.11)**

1. Test reports on 1) Uniform Static Air Pressure Test, Loading per FBC, TAS 202-94  
2) Water Resistance Test, per FBC, TAS 202-94 (PMK 2005-AT)

Along with marked-up drawings and installation diagram of Genstorm Opaque Double Swinging Doors, prepared by Fenestration Testing Laboratory, Inc., Test Report No. **FTL 6346**, dated 10/14/10, signed and sealed by Jorge A. Causo, P.E.

2. Test reports on 1) Air Infiltration Test, per FBC, TAS 202-94  
2) Uniform Static Air Pressure Test, Loading per FBC, TAS 202-94  
3) Water Resistance Test, per FBC, TAS 202-94(PMK177T threshold)  
4) Large Missile Impact Test per FBC, TAS 201-94  
5) Cyclic Wind Pressure Loading per FBC, TAS 203-94  
6) Forced Entry Test, per FBC 2411 3.2.1 and TAS 202-94

Along with marked-up drawings and installation diagram of Genstorm Opaque, Glazed and Louvered Single and Double Swinging Doors, prepared by Fenestration Testing Laboratory, Inc., Test Report No. **FTL 5877**, dated 10/13/09 and **FTL 5898**, dated 09/14/09, both signed and sealed by Julio E. Gonzalez, P.E. (transferred from file # **10-0125.01**)

3. Additional Test reports per FBC TAS 201, 202 and 203-94, test report No. **ITS-3058370-DOUBLE**, dated 12/09/04 for Double Outswing Honeycomb Steel Door System, prepared by Intertek Testing Services, **signed** and sealed by Stephen J. Emerman, P. E. (**#05-0127.11**).

**C. CALCULATIONS (submitted under files #15-0526.04)**

1. Anchor verification calculations and structural analysis, complying with FBC-2014 (**5<sup>th</sup> Edition**), prepared by MCY Engineering, Inc., dated 05/15/15 and last revised on 08/03/15, signed and sealed by Yiping Wang, P.E.

**D. QUALITY ASSURANCE**

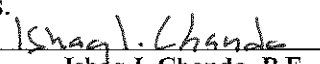
1. Miami Dade Department of Regulatory and Economic Resources (RER).

**E. MATERIAL CERTIFICATIONS**

1. Tensile Test, per ASTM A370-05 item B (1) (7)
2. Tensile test report N0. FTL 6745 per ASTM A370-05 dated 12/01/11, issued by Fenestration Testing Lab, signed and sealed by Martin D. Brinson, P.E. (submitted under file # **10-0125.03**)

**F. STATEMENTS**

1. Statement letter of conformance to FBC 2014 (**5<sup>th</sup> Edition**), dated 08/03/15, prepared by MCY Engineering, Inc, signed and sealed by Yiping Wang, P.E.(submitted under files **#15-0526.04**)
2. Statement letter of Lab. Compliance, as a part of above test reports.

  
Ishaq I. Chanda, P.E.

Product Control Examiner

NOA No. 17-0803.02

Expiration Date: July 14, 2021

Approval Date: December 28, 2017

**NOTICE OF ACCEPTANCE: EVIDENCE SUBMITTED**

**G. OTHER**

1. This NOA **renews NOA #15-0526.04**, expiring on 07/14/21.
2. Test proposal No. **08-1489**, issued to Gensteel Door Inc, approved on 11/14/08.
3. Distribution agreement between GenSteel Door, Canada & North American Door Corp, N.Y. dated 10/22/10, signed by Bruno Gervasi and Antonio Gervasi, respectively.

**2. New Evidence submitted.**

**A. DRAWINGS**

1. Drawing No. **AD10-09-001**, titled "Genstorm Opaque Outswing Steel Door System (LMI)", sheet 1 through 8 of 8, dated 10-22-99 and last revised on Nov 15, 2017, prepared by MCY Engineering, Inc., signed and sealed by Yiping Wang, P.E.

**B. Test**

1. Test reports on
  - 1) Air Infiltration Test, per FBC, TAS 202-94
  - 2) Uniform Static Air Pressure Test, Loading per FBC, TAS 202-94
  - 3) Water Resistance Test, per FBC, TAS 202-94(PMK177T threshold)
  - 4) Large Missile Impact Test per FBC, TAS 201-94
  - 5) Cyclic Wind Pressure Loading per FBC, TAS 203-94
  - 6) Forced Entry Test, per FBC 2411 3.2.1 and TAS 202-94
  - 7) Tensile test per FBC, TAS 202

Along with marked-up drawings and installation diagram of Genstorm Opaque, Glazed and Louvered Single and Double Swinging Doors, prepared by Fenestration Testing Laboratory, Inc., Test Report No. **FTL 5877** dated 12/08/09 signed and sealed by Julio E. Gonzalez, P.E. and **FTL 7224** dated 02/12/14, signed and sealed by Marlin Brinson, P.E.

**C. CALCULATIONS**

1. None

**D. QUALITY ASSURANCE**

1. Miami Dade Department of Regulatory and Economic Resources (RER).

**E. MATERIAL CERTIFICATIONS**

1. None

**F. STATEMENTS**

1. Statement letter of conformance to FBC 2014 (5<sup>th</sup> Edition) & FBC 2017 (6<sup>th</sup> Edition) dated 05/16/17, prepared by MCY Engineering, Inc., signed and sealed by Yiping Wang, P.E.

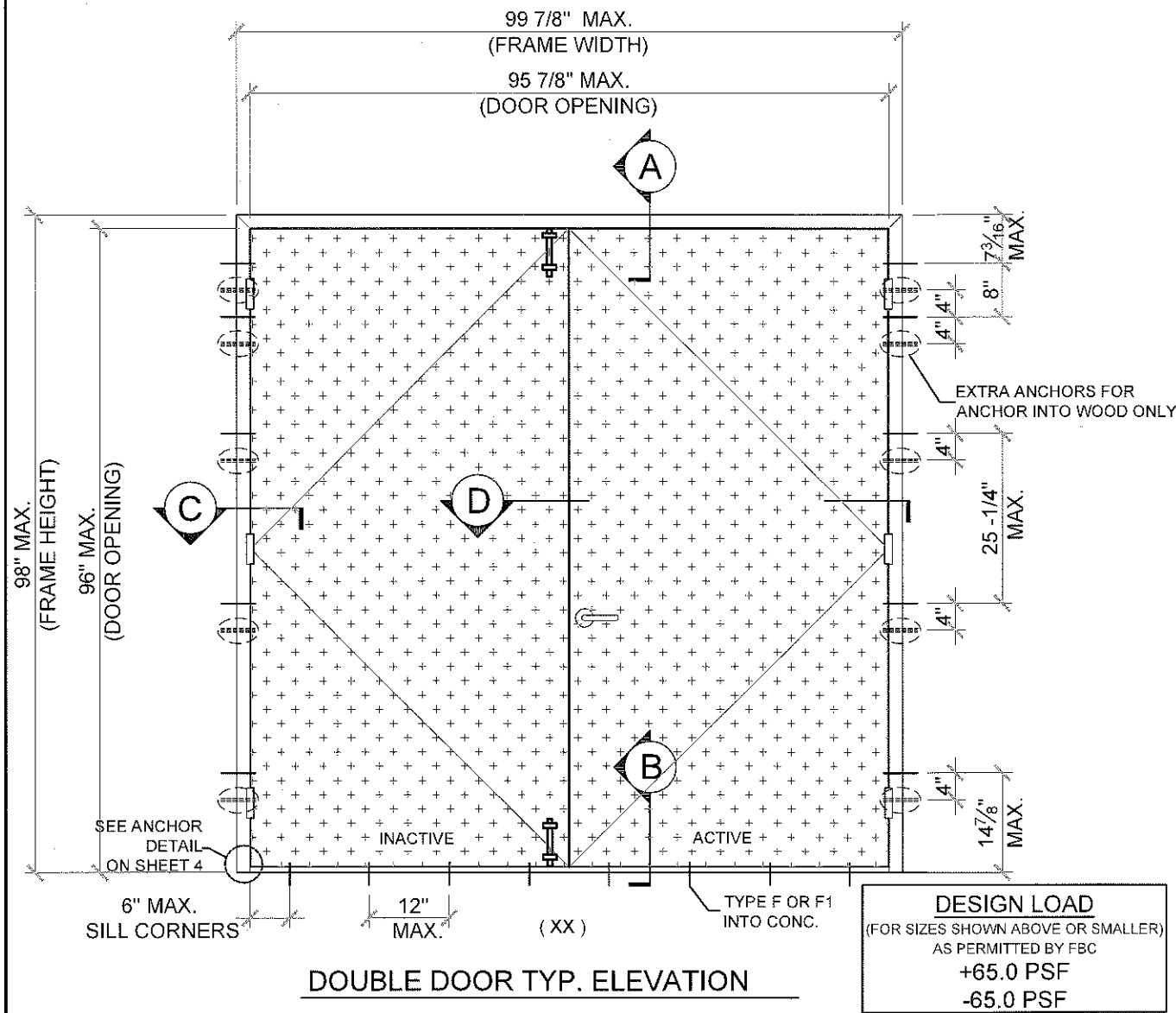
**G. OTHER**

1. This NOA **revises NOA # 16-0407.10**, expiring 07/14/20.
2. Test Proposal **#17-0053** dated FEB 03, 2017 approved by RER.

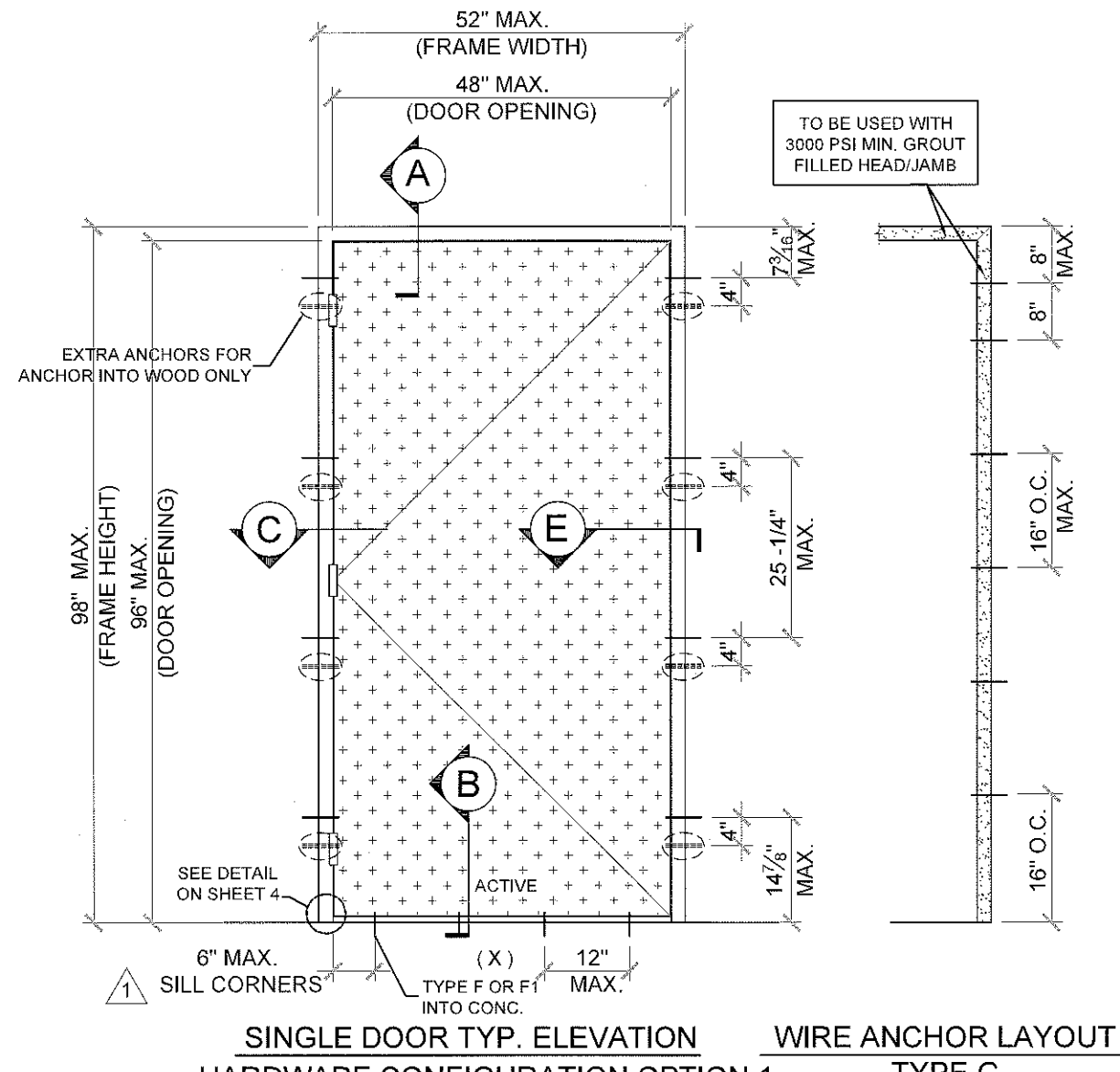
*Ishaq I. Chanda*

Ishaq I. Chanda, P.E.  
Product Control Examiner  
NOA No. 17-0803.02

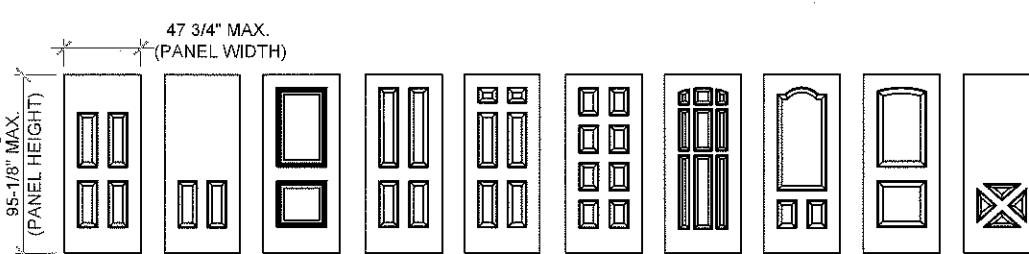
Expiration Date: July 14, 2021  
Approval Date: December 28, 2017



**DESIGN LOAD**  
 (FOR SIZES SHOWN ABOVE OR SMALLER)  
 AS PERMITTED BY FBC  
 +65.0 PSF  
 -65.0 PSF



**SINGLE DOOR TYP. ELEVATION**     **WIRE ANCHOR LAYOUT**  
**HARDWARE CONFIGURATION OPTION 1**     **TYPE G**  
**THRU 8 FOR ACTIVE PANEL ONLY**  
**OPTIONAL EMBOSSED DOOR LEAF PATTERNS:**



**SERIES GENSTORM OPAQUE OUTSWING STEEL DOOR (LMI)**

- THIS PRODUCT HAS BEEN DESIGNED AND TESTED TO COMPLY WITH THE REQUIREMENTS OF THE 6TH EDITION FLORIDA BUILDING CODE (2017) INCLUDING HIGH VELOCITY HURRICANE ZONE (HVHZ).
- DOORS RATED FOR LARGE MISSILE IMPACT AND DO NOT REQUIRE SHUTTERS.
- DOORS APPROVED FOR INSTALLATIONS WHERE WATER INFILTRATION RESISTANCE IS OR IS NOT REQUIRED. (SINGLE ROW SELF ADHESIVE CLOSED CELL FOAM TAPE TO BE APPLIED ENTIRE PERIMETER OF FRAME).
- ANCHORS SHALL BE AS LISTED, SPACED AS SHOWN ON DETAILS. ANCHORS EMBEDMENT TO BASE MATERIAL SHALL BE BEYOND WALL DRESSING OR STUCCO.
- ANCHORING OR LOADING CONDITIONS NOT SHOWN IN THESE DETAILS ARE NOT PART OF THIS APPROVAL.
- MATERIALS INCLUDING BUT NOT LIMITED TO STEEL/METAL SCREWS THAT COME INTO CONTACT WITH OTHER DISSIMILAR MATERIALS SHALL MEET THE REQUIREMENTS OF THE 6TH EDITION FLORIDA BUILDING CODE (2017) SECTION AS APPLICABLE.
- METAL STRUCTURES NOT BY GENSTEEL DOOR CO. MUST SUPPORT LOADS IMPOSED BY DOOR SYSTEM AND TRANSFER THEM TO THE BUILDING STRUCTURE.

- WOOD BUCKS BY OTHERS MUST BE ANCHORED PROPERLY TO TRANSFER LOADS TO THE STRUCTURE.
- A LOAD DURATION FACTOR IN ALLOWABLE STRESS IS USED IN DESIGN OF ANCHORS INTO WOOD ONLY.
- DOOR PANEL: MIN. 20 GA. (0.039") STEEL MIN. Fy = 42 KSI MIN., Fu = 53 KS MIN.  
DOOR FRAME: MIN. 18 GA. (0.048") STEEL MIN. Fy = 42 KSI MIN., Fu = 53 KSI MIN.
- DOOR PANEL STAINLESS OPTION: 20 GA. (0.039") STAINLESS STEEL DOOR PANEL MEETING MIN. Fy = 42 KSI, Fu = 53 KSI MIN. OR BETTER MAY QUALIFY HAVING "MIL-CERTIFICATE" AS A VERIFICATION OF THE AVAILABLE MIN. YIELD STRENGTH.
- DOOR PANEL STAINLESS OPTION: 20 GA. (0.048") STAINLESS STEEL DOOR PANEL MEETING MIN Fy = 42 KSI, Fu = 53 KSI MIN. OR BETTER MAY QUALIFY HAVING "MIL-CERTIFICATE" AS A VERIFICATION OF THE AVAILABLE MIN. YIELD STRENGTH.

**NOTES:**  
 EGRESS REQUIREMENTS TO BE REVIEWED BY BUILDING OFFICIAL.

**PRODUCT REVISED**  
 as complying with the Florida  
 Building Code  
 Acceptance No 17-0803-02  
 Expiration Date NOV 19, 2021  
 Yiping Wang, P.E.  
 Product Control

NOV 15 2017

YIPING WANG, P.E.  
 FLORIDA REGISTRATION  
 PE #55983  
 C.A.N. 28677  
 No 06983

MIAMI DADE COUNTY

NO.	DATE	DESCRIPTION
1	7/10/10	AS PER BCCO
2	1/4/11	AS PER BCCO
3	8/3/15	2014 FBC UPDATE
4	7/25/17	2017 FBC UPDATE

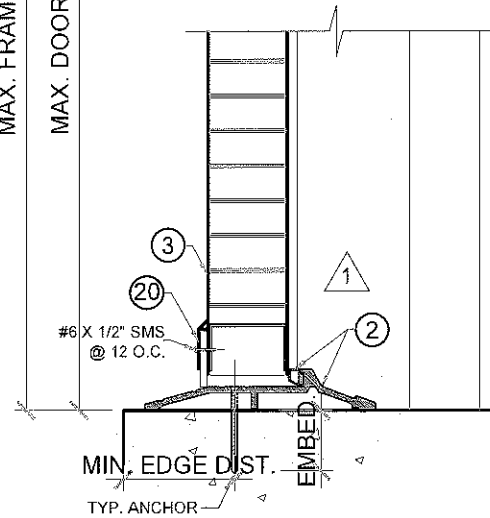
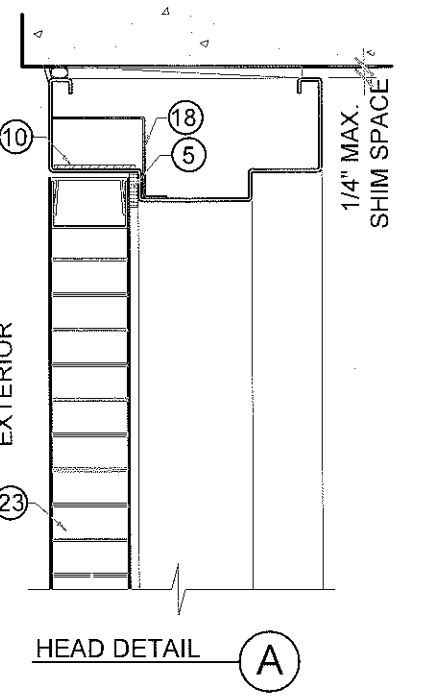
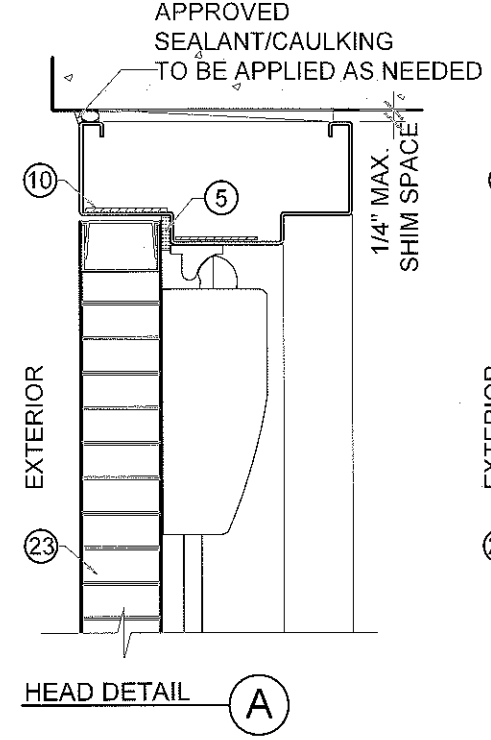
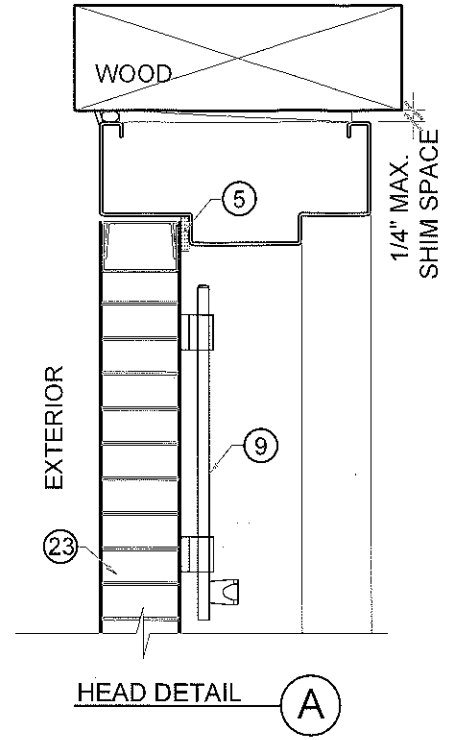
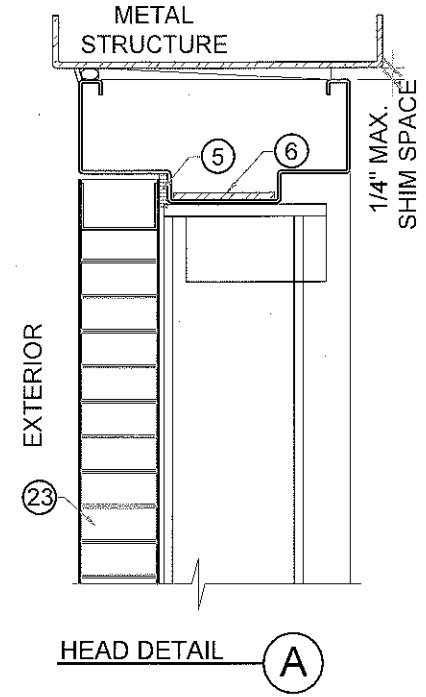
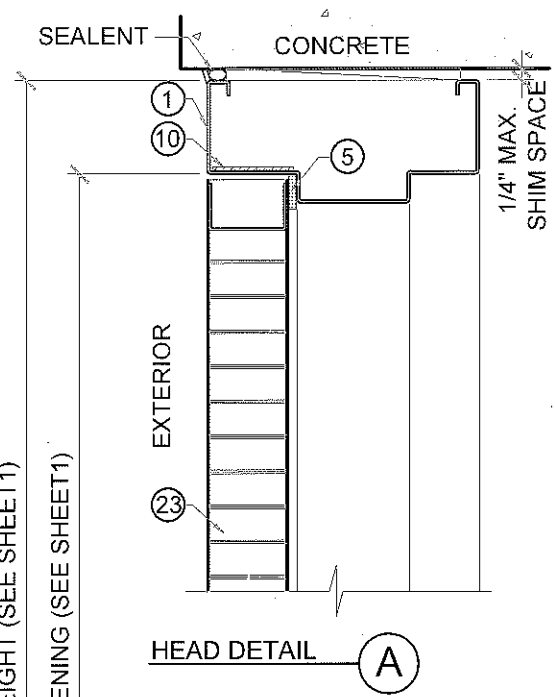
**MCY ENGINEERING, INC.**  
 GLAZING CONSULTANTS

8501 SW 124 AVE. STE. 205A P: 305.271.0117  
 MIAMI, FL 33183 F: 786.573.5063  
 www.MCYUS.com MCY.Engineering@Att.net

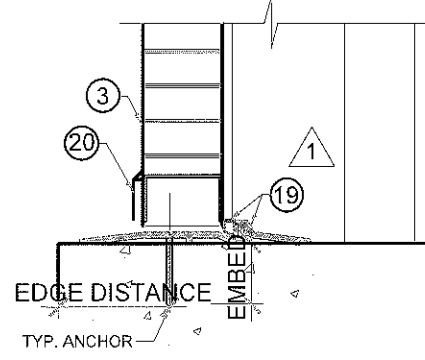
**gensteeldoors**  
 www.gensteeldoors.com  
 4950 Hickmore, St. Laurent, Quebec, Canada, H4T1K6  
 Tel: (514) 733-3562 Fax: (514) 733-1932

DATE	10-22-99
SCALE	NFS.
DRAWN	M.G
PROJECT	09-015
DRAWING NO.	AD-09-001
SHEET	1 OF 8

MAX. FRAME HEIGHT (SEE SHEET1)  
MAX. DOOR OPENING (SEE SHEET1)



TYPICAL THRESHOLD B  
APPR'D FOR WATER RESISTANCE



TYPICAL THRESHOLD B1  
APPR'D FOR WATER RESISTANCE

- TYPICAL ANCHORS W/ EMA (EXISTING MASONRY ANCHOR) @ JAMB:**
- TYPE A.** 5/16" DIA. ULTRACONS BY 'ELCO' Fy=155 KSI Fu = 177 KSI  
(TYPE A1) DIRECTLY INTO 2BY WOOD BUCK  
(TYPE A2) DIRECTLY INTO fc'=3000 PSI CONCRETE  
1-1/2" MIN. EMBED  
2-1/2" MIN. EDGE DISTANCE
  - TYPE B.** 3/8" DIA. HLC SLEEVE ANCHOR BY 'HILTI'  
(TYPE B1) DIRECTLY INTO fc'=3000 PSI CONCRETE, 3" MIN. EDGE DIST.  
(TYPE B2) DIRECTLY INTO fc'=2000 PSI CONCRETE BLOCK, 3-1/2" MIN. EDGE DIST.  
1-1/4" MIN. EMBED
  - TYPE C.** 3/8" DIA. SLEEVE ANCHOR BY 'WEJ-IT'  
DIRECTLY INTO fc'=4000 PSI CONCRETE, 2-3/8" MIN. EMBED  
DIRECTLY INTO fc'=2000 PSI CONCRETE BLOCK, 1-1/4" MIN. EMBED  
3-1/2" MIN. EDGE DISTANCE
  - TYPE D.** 3/8" DIA. POWER BOLT BY 'POWERS'  
DIRECTLY INTO fc'=3000 PSI CONCRETE  
2-1/2" MIN. EMBED  
3" MIN. EDGE DISTANCE
  - TYPE E.** 5/16" DIA. SMS OR MACHINE BOLTS (MIN. GRADE 2 CRS) OR STST INTO METAL STRUCTURES (STEEL OR ALUMINUM 1/8" MIN. THICK.)  
5/8" MIN. EMBED  
  
STEEL : Fy = 36 KSI MIN.  
ALUMINUM : 6063-T6 MIN.  
(STEEL IN CONTACT WITH ALUMINUM TO BE PLATED OR PAINTED)
  - TYPE G.** WIRE ANCHOR (Fy = 60 ksi.) MIN. 10" LONG  
0.173 DIA. STEEL WIRE ANCHORS EMBED INTO CONCRETE BLOCK

- TYPICAL ANCHORS @ THRESHOLD:**
- TYPE F.** 1/4" OR 5/16" DIA. ULTRACONS BY 'ELCO' Fy = 155 KSI Fu = 177 KSI  
DIRECTLY INTO fc'=3000 PSI MIN. CONCRETE  
1-1/2" MIN. EMBED  
2-1/2" MIN. EDGE DISTANCE
  - TYPE F1.** 1/4" TAPCON BY ITW Fy = 90 KSI Fu = 120 KSI  
DIRECTLY INTO fc'=3000 PSI MIN. CONCRETE  
1-1/2" MIN. EMBED  
2-1/2" MIN. EDGE DISTANCE

**SEALANT:**  
ALL FRAME JOINTS AND CORNERS TO BE SEALED WITH SILICONE AT PERIMETER

PRODUCT REVISED  
as complying with the Florida Building Code  
Acceptance No. 17-0503-02  
Expiration Date 11/14/21  
*Wang Wang*  
Safety & Product Control

NOV 15 2017

YIPING WANG, P.E.  
FLORIDA REGISTRATION  
PE #55983  
C.A.N. 28577  
No. 55983  
*Yip Wang*

MIAMI DADE COUNTY

NO.	DATE	DESCRIPTION
1	7/10/10	AS PER BCCO
2	1/4/11	AS PER BCCO
3	8/3/15	2014 FBC UPDATE
4	7/25/17	2017 FBC UPDATE

**MCY ENGINEERING, INC.**  
GLAZING CONSULTANTS

**MCY**

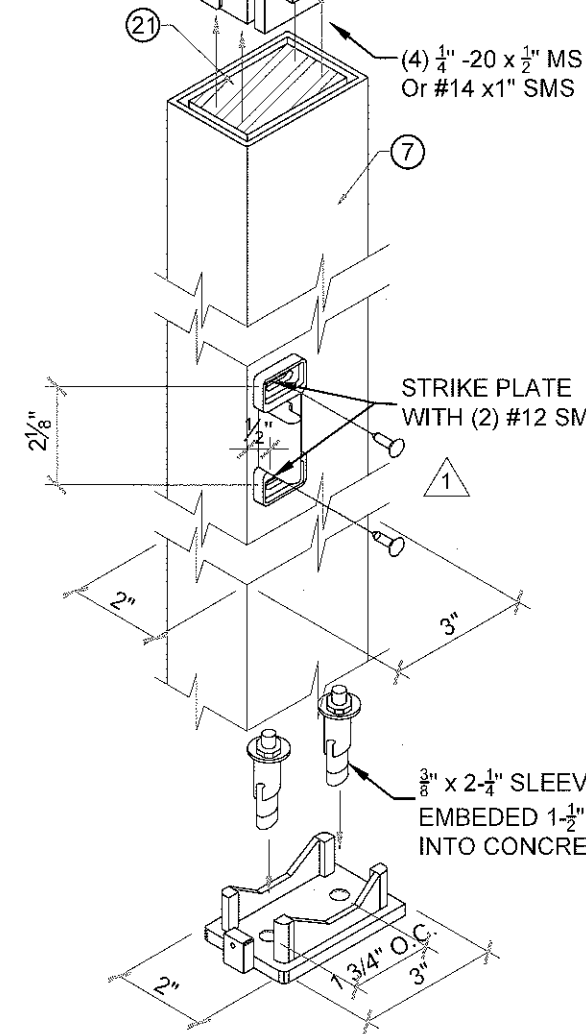
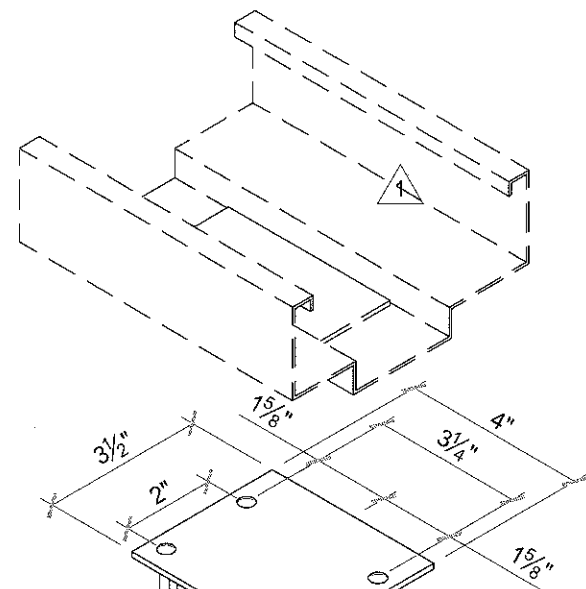
8501 SW 124 AVE. STE. 205A P: 305.271.0117  
MIAMI, FL 33183 F: 786.573.5063  
www.MCYUS.com MCY.Engineering@Att.net

GENSTORM OPAQUE OUTSWING STEEL DOOR SYSTEM (LMI)

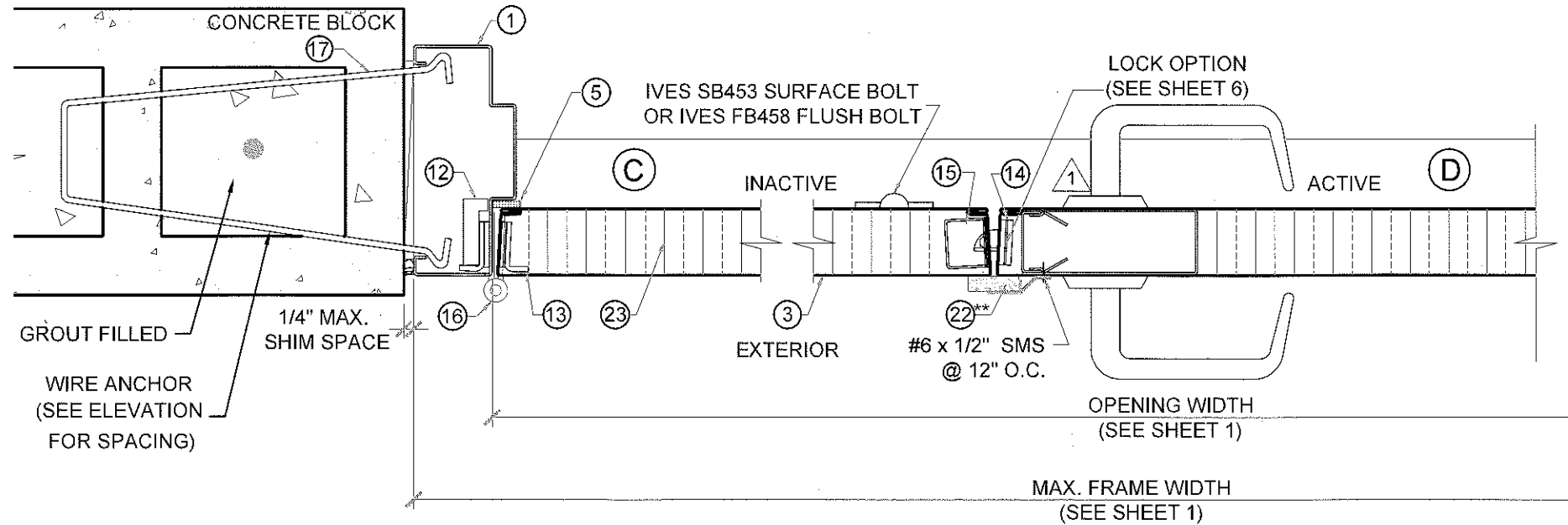
**gensteeldoors**  
www.gensteeldoors.com

4950 Hickmore, St. Laurent, Quebec, Canada, H4T1K6  
Tel: (514) 733-3562 Fax: (514) 733-1932

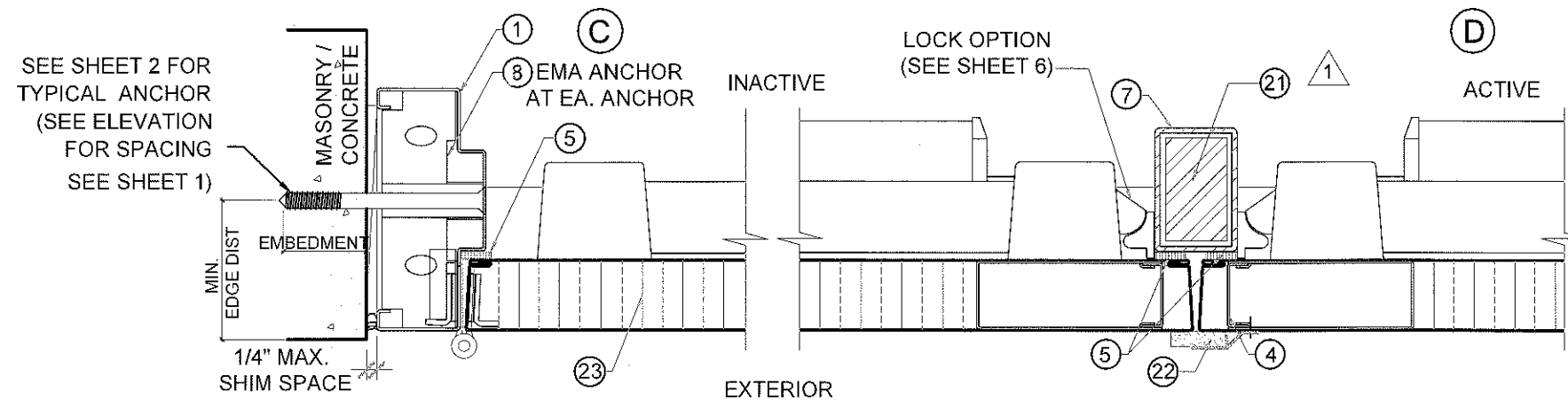
DATE	10-22-99
SCALE	NTS.
DRAWN	M.G.
PROJECT	09-015
DRAWING NO.	AD-09-001
SHEET	2 OF 8



**HC822  
REMOVABLE MULLION  
W/REINFORCEMENT**



**LOCK OPTION # 1, #8 OR #9**  
 SERIES 8200 SARGENT MORTISE LOCK W/ SURFACE BOLTS (ACTIVE) OR  
 DORMA CL700 SURFACE MOUNT HANDLE AND DORMA DB660 DEADBOLT (ACTIVE)  
 W/ EITHER IVES FB458 FLUSH BOLTS OR IVES SB453 SURFACE BOLTS (INACTIVE)



**LOCK OPTION # 2**  
 PRECISION HC2100 RIM PANIC EXIT W/ HC822 REINFORCE MULLION

**PRODUCT REVISED**  
 as complying with the Florida  
 Building Code  
 Acceptance No 17-0803-02  
 Expiration Date 11/14/21

*Shahid I. Ishaq*  
 Product Control

\*\* 22 PEMKO 375 ASTRAGAL W/ SPONGE  
 NEOPRENE NOT REQUIRED, IF WATER  
 INFILTRATION NOT NEEDED

MIAMI DADE COUNTY

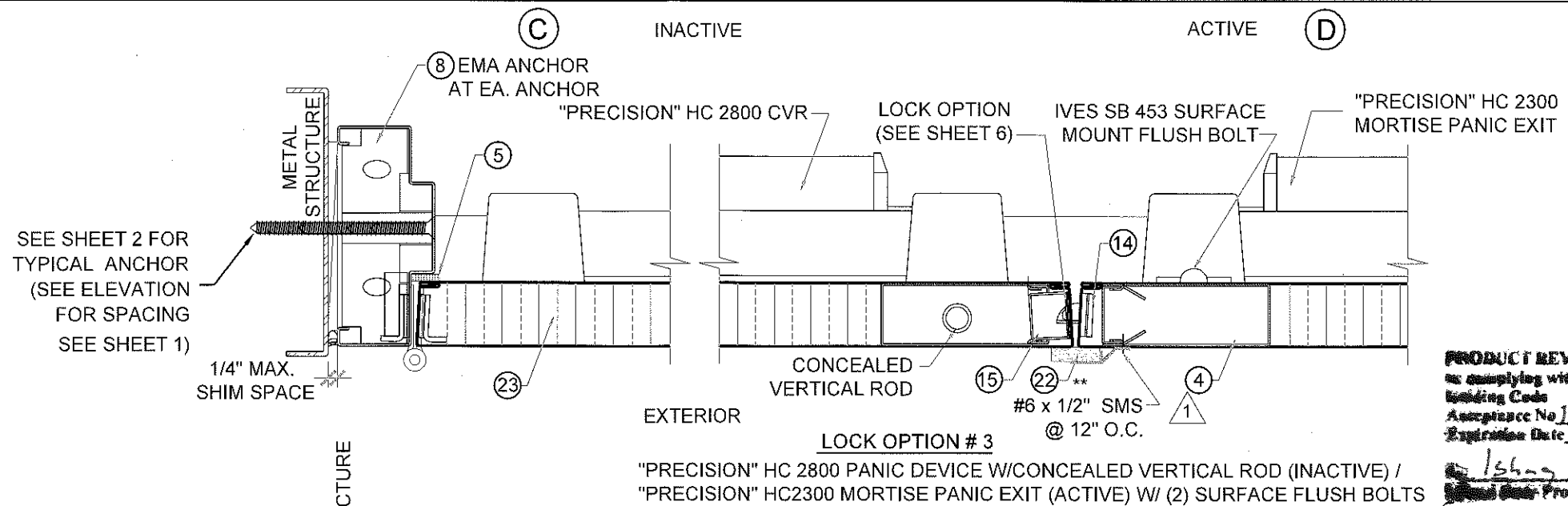
NOV 15 2017  
 YIPING WANG, P.E.  
 FLORIDA REGISTRATION  
 PE #55983  
 C.A.N. 28677

NO.	DATE	DESCRIPTION
1	7/10/10	AS PER BCCO
2	1/4/11	AS PER BCCO
3	8/3/15	2014 FRC UPDATE
4	7/25/17	2017 FRC UPDATE

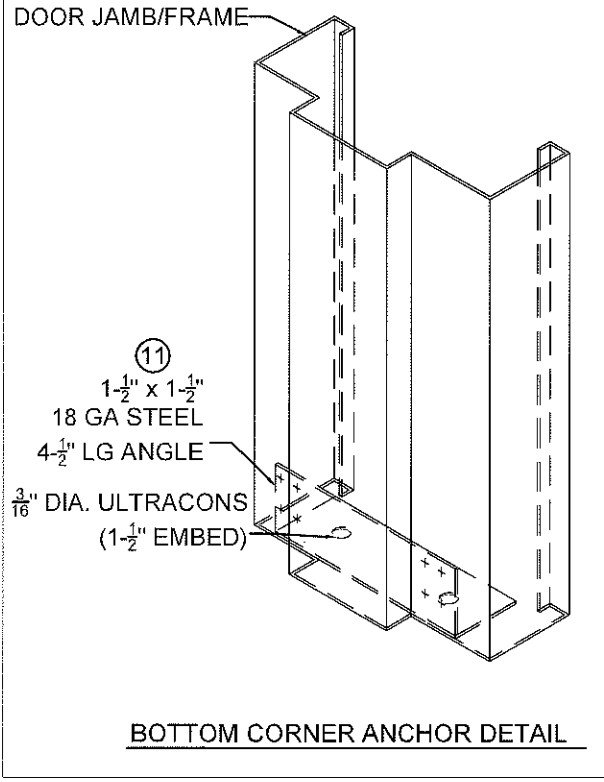
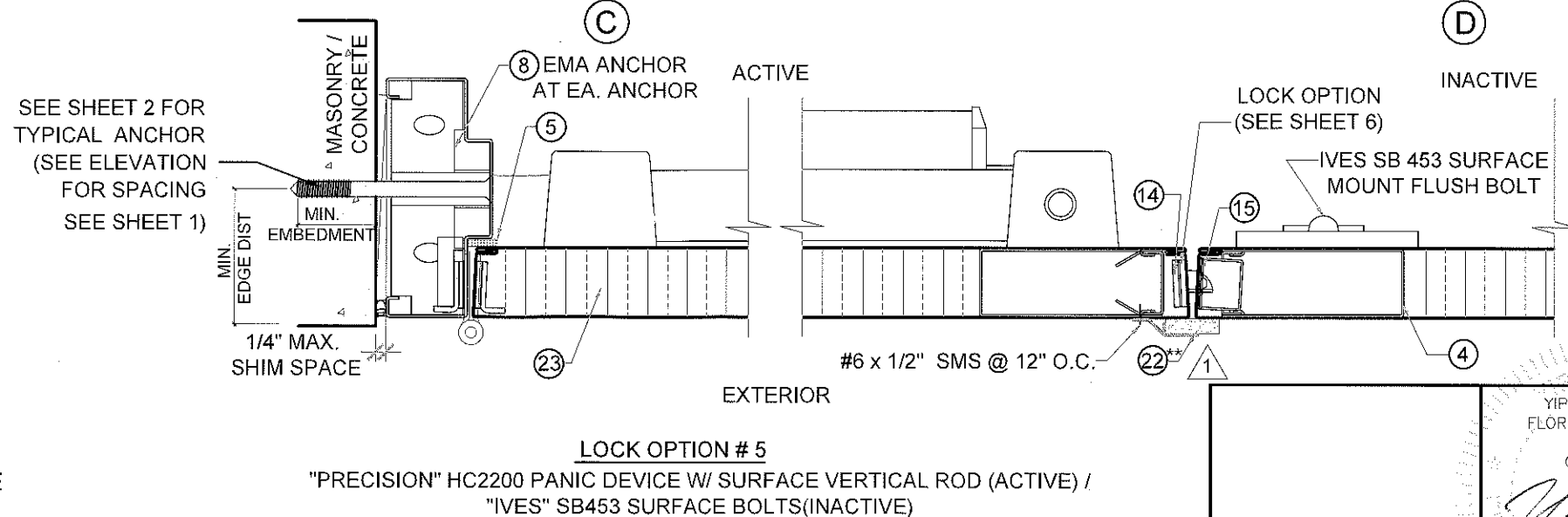
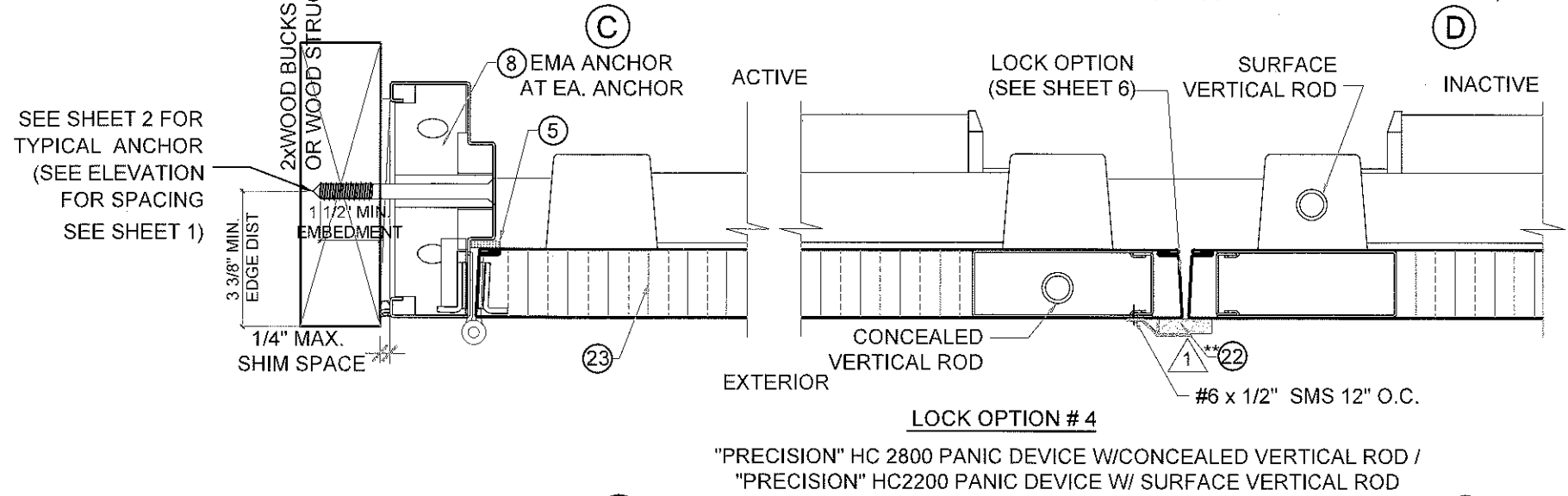
**MCY**  
**MCY ENGINEERING, INC.**  
 GLAZING CONSULTANTS  
 8501 SW 124 AVE. STE. 205A P: 305.271.0117  
 MIAMI, FL 33183 F: 786.573.5063  
 www.MCYUS.com  
 MCY.Engineering@Att.net

**gensteeldoors**  
 www.gensteeldoors.com  
 4950 Hickmore, St. Laurent, Quebec, Canada, H4T1K6  
 Tel: (514) 733-3562 Fax: (514) 733-1932

DATE	10-22-99
SCALE	NTS.
DRAWN	M.C.
PROJECT	09-015
DRAWING NO.	AD-09-001
SHEET	3 OF 8



**PRODUCT REVIEW**  
 as complying with the Florida Building Code  
 Acceptance No 17-0603-D2  
 Expiration Date 11/14/21  
 Issued By: Product Control



\*\* 22 PEMKO 375 ASTRAGAL W/ SPONGE NEOPRENE NOT REQUIRED, IF WATER INFILTRATION NOT NEEDED

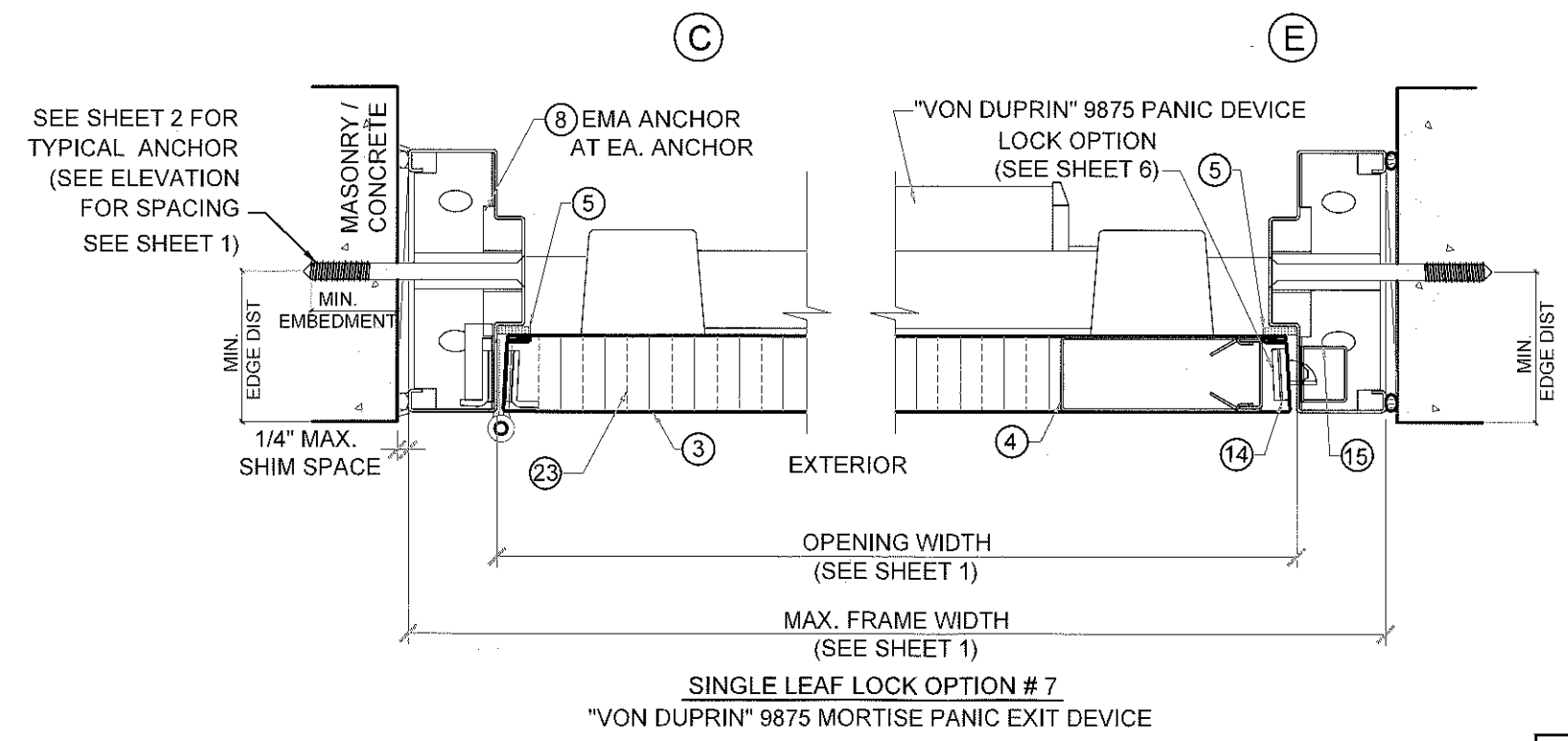
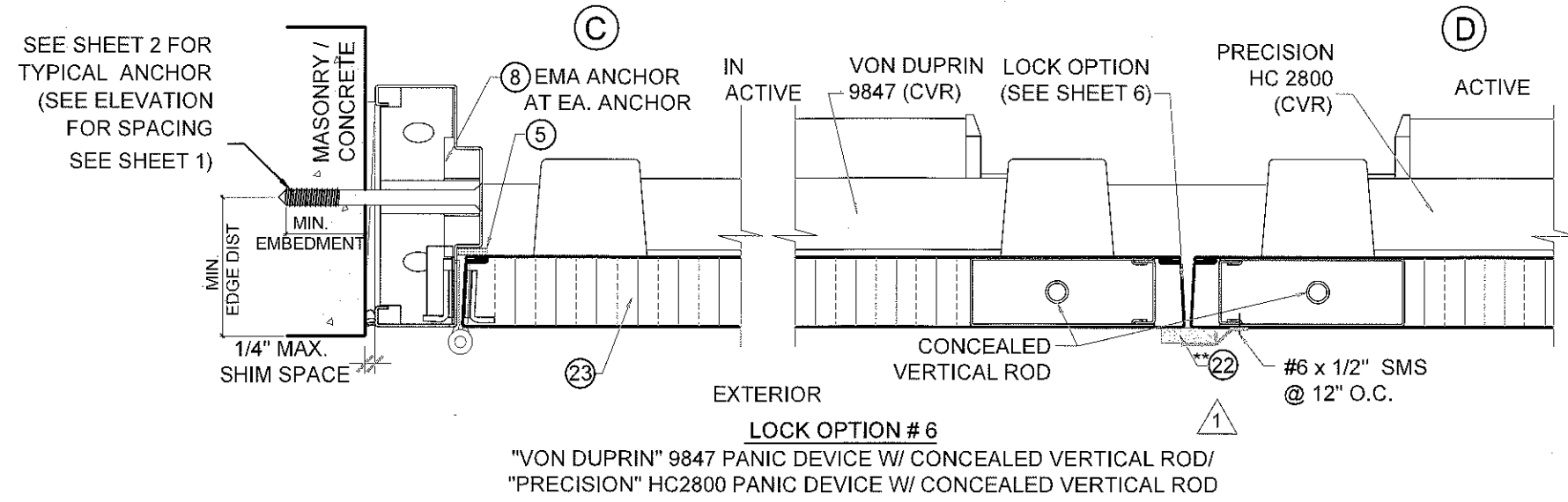
NO.	DATE	DESCRIPTION
1	7/10/10	AS PER BCCO
2	1/4/11	AS PER BCCO
3	8/3/15	2014 FBC UPDATE
4	7/25/17	2017 FBC UPDATE

**MCY**  
**MCY ENGINEERING, INC.**  
 GLAZING CONSULTANTS  
 8501 SW 124 AVE. STE. 205A P: 305.271.0117  
 MIAMI, FL 33183 F: 786.573.5063  
 www.MCYUS.com  
 MCY.Engineering@Att.net

**gensteeldoors**  
 www.gensteeldoors.com  
 4950 Hickmore, St. Laurent, Quebec, Canada, H4T1K6  
 Tel: (514) 733-3562 Fax: (514) 733-1932

DATE	10-22-99
SCALE	NTS.
DRAWN	M.G.
PROJECT	09-015
DRAWING NO.	AD-09-001
SHEET	4 OF 8

NOV 15 2017  
 YIPING WANG, P.E.  
 FLORIDA REGISTRATION  
 PE #55983  
 C.A.N. 28677  
 MIAMI DADE COUNTY



\*\* 22 PEMKO 375 ASTRAGAL W/ SPONGE NEOPRENE NOT REQUIRED, IF WATER INFILTRATION NOT NEEDED

**PRODUCT REVISED**  
as complying with the Florida Building Code  
Acceptance No. 17-0863-02  
Expiration Date 11/14/21  
A. Ishag, L.L.C.  
Miami Area Product Control

NOV 15 2017

YIPING WANG, P.E.  
FLORIDA REGISTRATION  
PE #55983  
N.C.A.N. 28677

MIAMI DADE COUNTY

REVISIONS	
NO.	DESCRIPTION
1	7/10/10 AS PER BCCO
2	1/4/11 AS PER BCCO
3	8/3/15 2014 FBC UPDATE
4	7/25/17 2017 FBC UPDATE

**MCY**

**MCY ENGINEERING, INC.**  
GLAZING CONSULTANTS

8501 SW 124 AVE. STE. 205A P: 305.271.0117  
MIAMI, FL 33183 F: 786.573.5063

www.MCYUS.com MCY.Engineering@Att.net

GENSTORM OPAQUE OUTSWING STEEL DOOR SYSTEM (LMI)

**gensteeldoors**  
www.gensteeldoors.com

4950 Hickmore, St. Laurent, Quebec, Canada, H4T1K6  
Tel: (514) 733-3562 Fax: (514) 733-1932

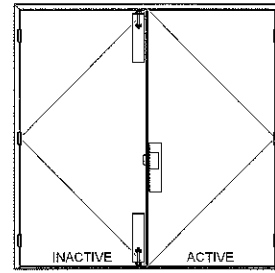
DATE	10-22-99
SCALE	N.T.S.
DRAWN	M.C.
PROJECT	09-015
DRAWING NO.	
AD-09-001	
SHEET 5 OF 8	



# LOCK OPTIONS

LOCK OPTIONS FOR DOUBLE DOORS  
ACTIVE PANELS CAN APPLY TO SINGLE DOORS

HINGES: STEEL MORTISE HINGES 3 PER LEAF, LOCATED AT 9<sup>5</sup>/<sub>8</sub>" MAX. FROM TOP OF DOOR TO CENTER LINE OF 1ST HINGE. BALANCE TO BE SPACED OUT NOT TO EXCEED 37-15/16" MAX. FROM CL TO CL OF HINGE. TO BE FASTENED BY #12-24 x 1/2" FLATHEAD MACHINE SCREWS.

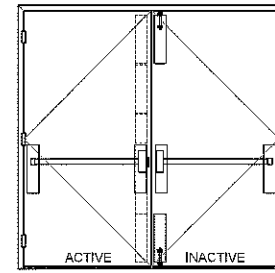


## OPTION 1

**ACTIVE LEAF:**  
"SARGENT" 8200 SURFACE MOUNT MORTISE LOCK WITH HANDLE. WITH SURFACE MOUNT METALLIC DEAD-BOLT. LOCATED 38" FROM BOTTOM WITH (2) 8-32 x 1/4" FH MS

**INACTIVE LEAF:**  
6-3/4" LONG 18 GA STRIKE BOX TO BE FASTENED BY (2)#12-24 SCREWS  
"IVES" SB453 SURFACE MOUNT MANUALLY OPERATED FLUSH BOLT AT TOP AND BOTTOM. WITH (4) 1/4-20 x 1-3/8" FH MS

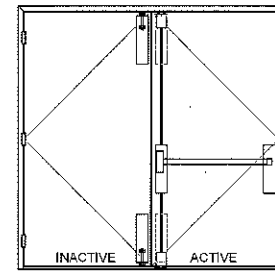
SURFACE MOUNT METALLIC STRIKE PLATE AT FRAME HEAD TO BE FASTENED WITH (2) #10 x 1-1/4" FH SMS



## OPTION 3

**ACTIVE LEAF:**  
"PRECISION" HC2300 MORTISE PANIC EXIT. SURFACE MOUNT MANUALLY OPERATED FLUSH BOLT AT TOP AND BOTTOM. WITH (4) 10 x 1-1/4" FH SMS

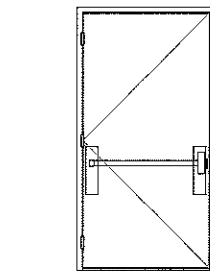
**INACTIVE LEAF:**  
"PRECISION" HC2800 CONCEALED VERTICAL ROD TWO POINT LOCK SYSTEM WITH "PRECISION" PANIC DEVICE LOCATED 40" FROM BOTTOM WITH (4) 10-24 x 1-1/4" OH MS



## OPTION 5

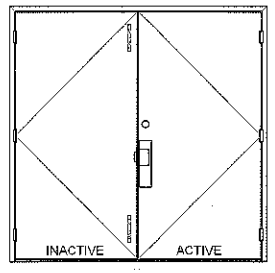
**ACTIVE LEAF:**  
"PRECISION" HC2200 SURFACE VERTICAL ROD. (4) 10-24 x 1-1/4" OH MS. LOCATED 39-3/4" FROM BOTTOM

**INACTIVE LEAF:**  
"IVES" SB453 SURFACE MOUNT MANUALLY OPERATED FLUSH BOLT. TO BE FASTENED WITH (4) 12 x 1-1/4" FH MS



## OPTION 7

**SINGLE PANEL DOOR ONLY:**  
"VON DUPRIN" 9875 MORTISE PANIC EXIT WITH (2) 8-32 x 3/8" FH MS. LOCATED 39-3/4" FROM BOTTOM

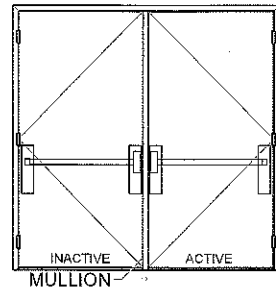


## OPTION 9

**ACTIVE LEAF:**  
"DORMA" CL700 SURFACE MOUNT METALLIC HANDLE AT 39 1/2" FROM BOTTOM WITH (2) #8-36 X 3/8" PH MS AND (2) #8 X 3/8" FH MULTI THREAD SCREW.

"DORMA" DB660 SURFACE MOUNT METALLIC DEAD BOLT AT 45 1/2" FROM BOTTOM WITH (2)1/4"-20 X 1 5/8" FH MS; (2) #10-32 X 2 3/8" PH MS AND (2)#8 X 3/8" FH MULTI THREAD SCREW.

**INACTIVE LEAF:**  
"IVES" FB458 FLUSH MOUNT METALLIC FLUSH BOLTS AT 12" AND 71" FROM BOTTOM W/ (4)#8 X 3/8" FH MULTI THREAD SCREW.  
ONE FLUSH MOUNT METALLIC STRIKE PLATE AT 39 1/2" FROM BOTTOM W/ (2) #10 X 1" FH SMS AND ONE FLUSH MOUNT METALLIC STRIKE PLATE AT 45 1/2" FROM BOTTOM W/ (2)#8 X 3/8" FH MULTI THREAD SCREW.



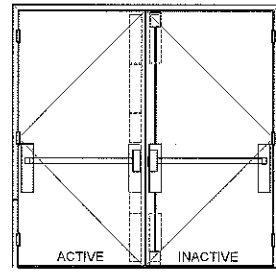
## OPTION 2

(PRECISION RIM EXIT W. MULLION)

**ACTIVE LEAF:**  
"PRECISION" HC2100 RIM EXIT PANIC DEVICE. SURFACE MOUNT LOCATED 41-3/4" FROM BOTTOM WITH BY (4) 10-20 x 1-1/4" OH MS

**INACTIVE LEAF:**  
"PRECISION" HC2100 RIM EXIT PANIC DEVICE. SURFACE MOUNT LOCATED 41-3/4" FROM BOTTOM WITH BY (4) 1/4-20 x 1" FH MS REINFORCED

**REINFORCED MULLION:**  
HC822 PRECISION HARDWARE REMOVABLE WITH (4) 1/4" 20 x 1/2" MS OR #14 x 1" SMS AT TOP. 3/8" x 2-1/4" SLEEVE ANCHOR EMBEDDED 1-1/2" INTO CONCRETE AT BOTTOM.

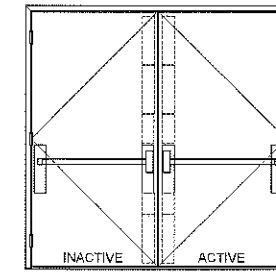


## OPTION 4

**ACTIVE LEAF:**  
"PRECISION" HC2800 CONCEALED VERTICAL ROD TWO POINT LOCK SYSTEM WITH PRECISION PANIC DEVICE WITH (4) 10-24 x 1-1/4". LOCATED 39-1/2" FROM BOTTOM

**INACTIVE LEAF:**  
"PRECISION" HC2200 SURFACE VERTICAL ROD TWO POINT LOCK SYSTEM WITH PRECISION PANIC DEVICE WITH (4) 10-24 x 1-1/4" OH MS. LOCATED 39-1/2" FROM BOTTOM

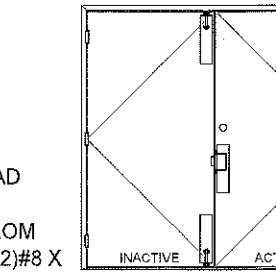
(2)-SURFACE MOUNT METALLIC STRIKE PLATE AT HEAD TO BE FASTENED WITH (2) 1/4-20 FH MS



## OPTION 6

**ACTIVE LEAF:**  
"VON DUPRIN" 9847 CONCEALED VERTICAL ROD WITH PANIC DEVICE WITH (2) 8-32 x 3/8" FH MS. LOCATED 39-3/4" FROM BOTTOM

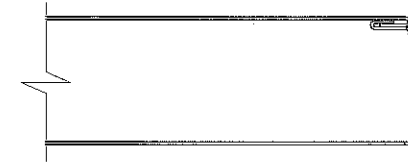
**INACTIVE LEAF:**  
"PRECISION" HC2800 CONCEALED VERTICAL ROD. SURFACE MOUNT TWO POINT LOCK SYSTEM WITH PANIC DEVICE WITH (4) 10-24 x 1-1/4". LOCATED 39-1/2" FROM BOTTOM



## OPTION 8

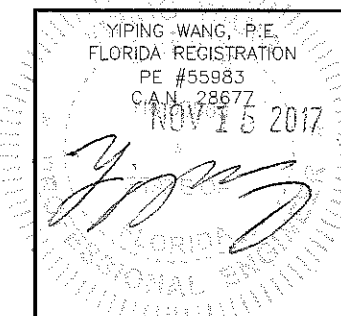
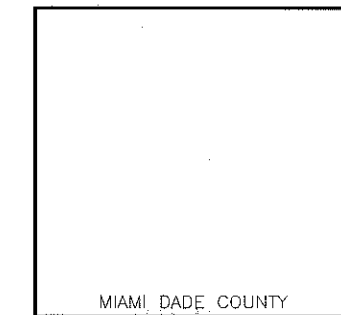
**ACTIVE LEAF:**  
"DORMA" CL700 SURFACE MOUNT METALLIC HANDLE AT 39 1/2" FROM BOTTOM WITH (2) #8-36 X 3/8" PH MS AND (2) #8 X 3/8" FH MULTI THREAD SCREW.  
"DORMA" DB660 SURFACE MOUNT METALLIC DEAD BOLT AT 45 1/2" FROM BOTTOM WITH (2)1/4"-20 X 1 5/8" FH MS; (2) #10-32 X 2 3/8" PH MS AND (2)#8 X 3/8" FH MULTI THREAD SCREW.

**INACTIVE LEAF:**  
ONE FLUSH MOUNT METALLIC STRIKE PLATE AT 39 1/2" FROM BOTTOM W/ (2) #10 X 1" FH SMS AND ONE FLUSH MOUNT METALLIC STRIKE PLATE AT 45 1/2" FROM BOTTOM W/ (2)#8 X 3/8" FH MULTI THREAD SCREW.  
"IVES" SB453 SURFACE MOUNT MANUALLY OPERATED SURFACE BOLT TO BE FASTENED WITH (4) 12 X 1-1/4" FH MS



DOOR EDGE CONSTRUCTION

PRODUCT REVISED  
as complying with the Florida  
Building Code  
Acceptance No 17-0803 02  
Expiration Date 11/14/21  
A. Shaughnessy  
Miami Door Product Control

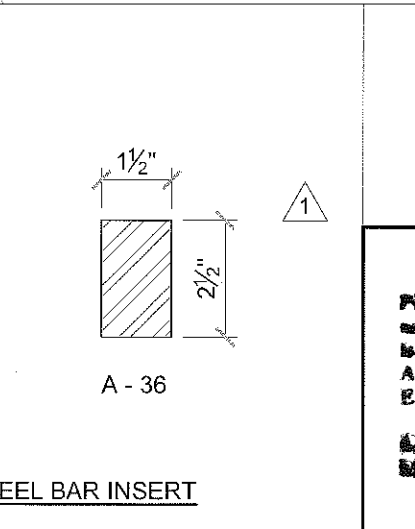
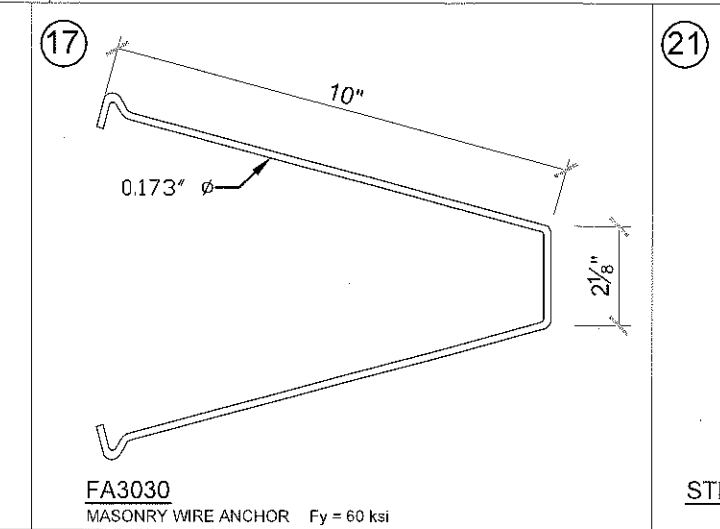
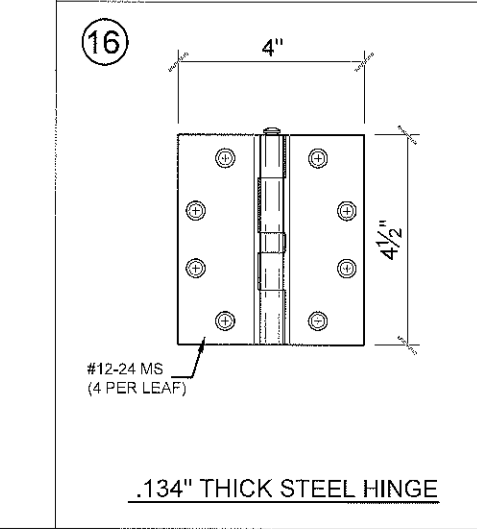
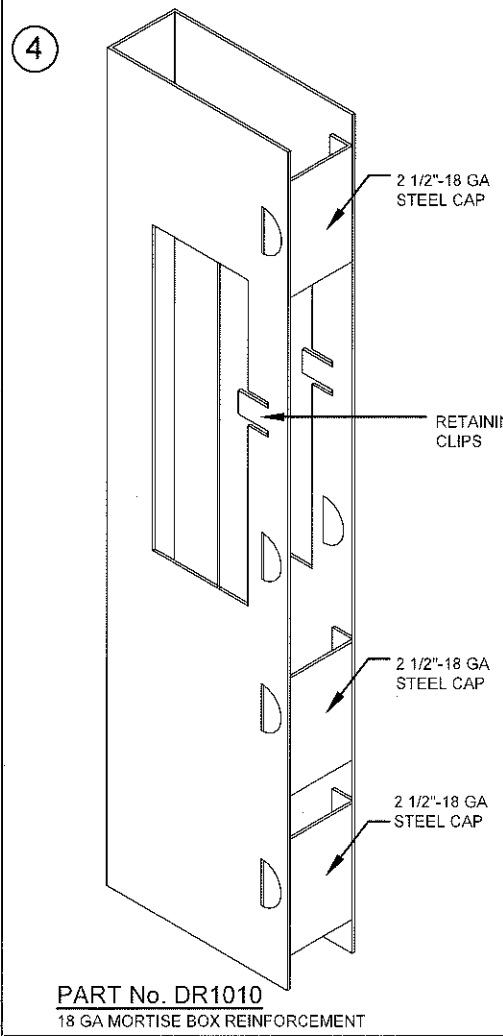
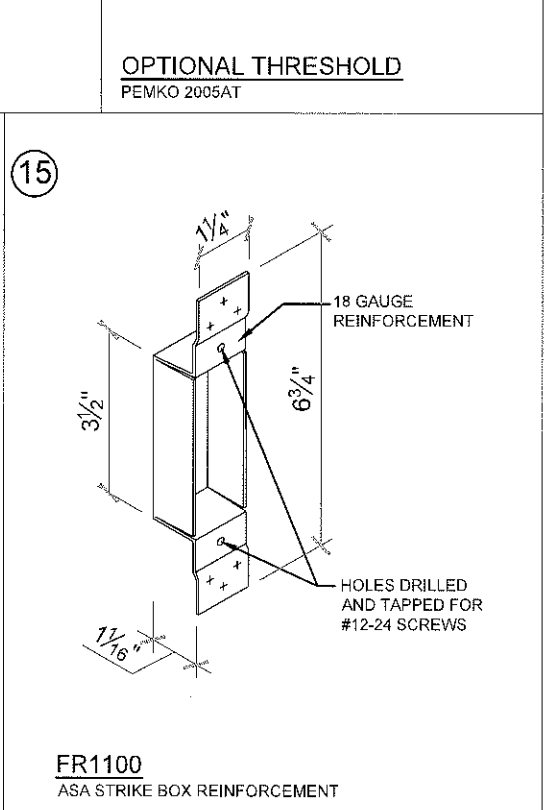
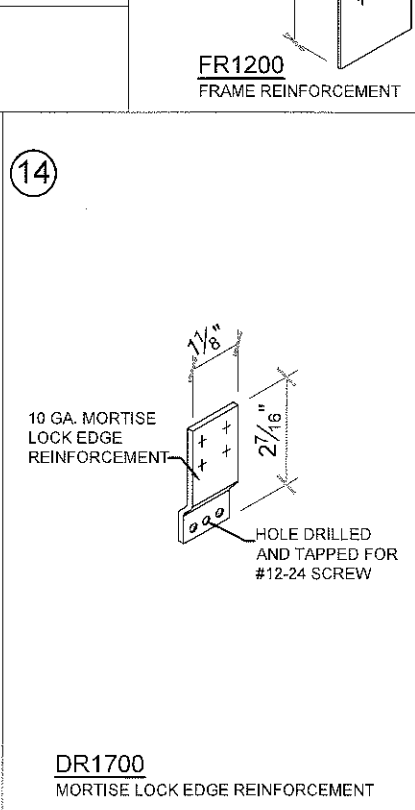
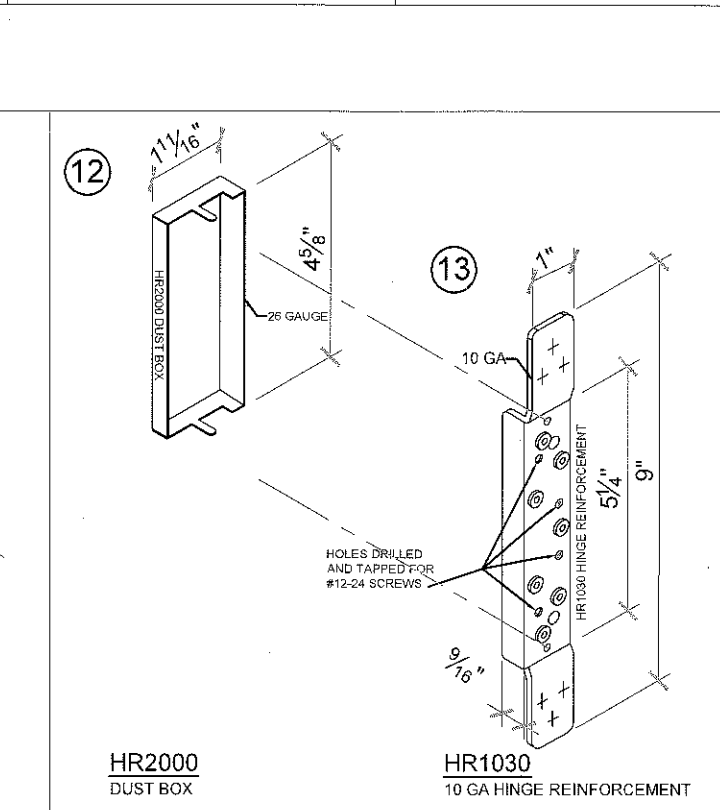
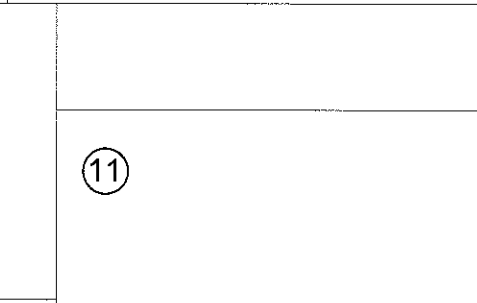
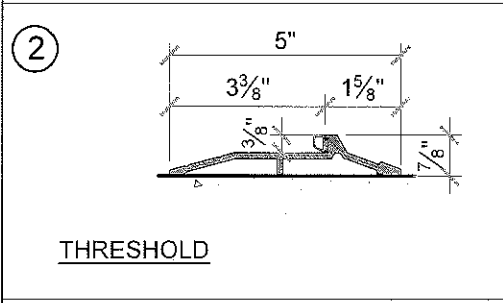
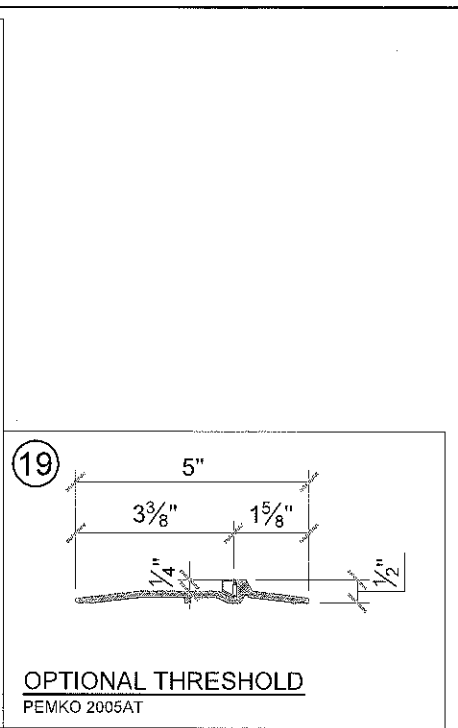
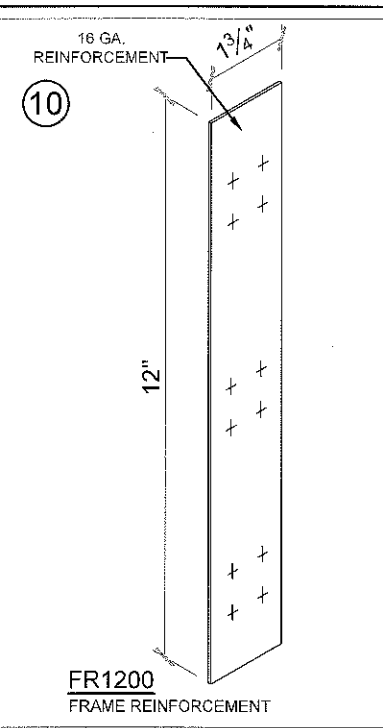
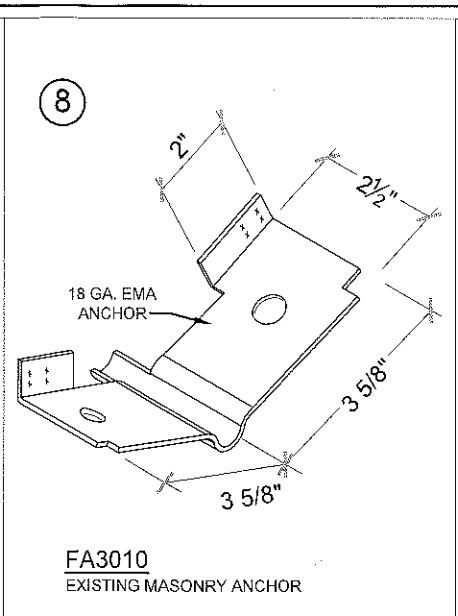
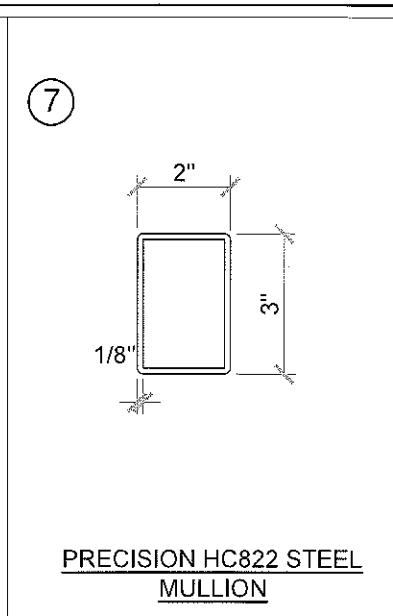
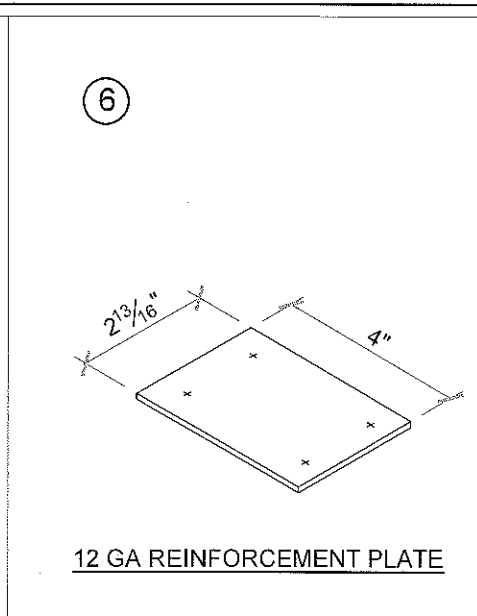
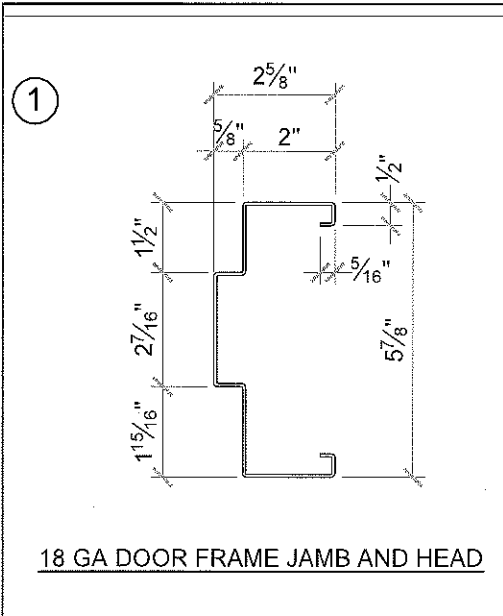


NO.	DATE	DESCRIPTION
1	7/10/10	AS PER ECCC
2	1/4/11	AS PER ECCC
3	8/3/15	2014 FBC UPDATE

**MCY**  
**MCY ENGINEERING, INC.**  
 GLAZING CONSULTANTS  
 8501 SW 124 AVE. STE. 205A P: 305.271.0117  
 MIAMI FL 33183 F: 786.573.5063  
 www.MCYUS.com MCY.Engineering@Att.net

GENSTORM OPAQUE OUTSWING STEEL DOOR SYSTEM (LMI)  
**gensteeldoors**  
 www.gensteeldoors.com  
 4950 Hickmore, St. Laurent, Quebec, Canada, H4T1K6  
 Tel: (514) 733-3562 Fax: (514) 733-1932

DATE	10-22-99
SCALE	N.T.S.
DRAWN	M.G.
PROJECT	09-015
DRAWING NO.	AD-09-001
SHEET	6 OF 8



NOV 15 2017

YIPING WANG, P.E.  
FLORIDA REGISTRATION  
PE #55983  
C.A.N. 28677

**PRODUCT REVISED**  
as complying with the Florida  
Building Code  
Acceptance No. 17-0803.02  
Expiration Date 11/14/21

MIAMI DADE COUNTY

REVISIONS	
NO.	DESCRIPTION
1	7/10/10 AS PER BCCO
2	1/4/11 AS PER BCCO
3	8/3/15 2014 FBC UPDATE
4	7/25/17 2017 FBC UPDATE

**MCY**

**MCY ENGINEERING, INC.**  
GLAZING CONSULTANTS

8501 SW 124 AVE. STE. 205A P: 305.271.0117  
MIAMI, FL 33183 F: 786.573.5063  
www.MCYUS.com MCY.Engineering@Att.net

**GENSTORM OPAQUE OUTSWING STEEL DOOR SYSTEM (LMI)**

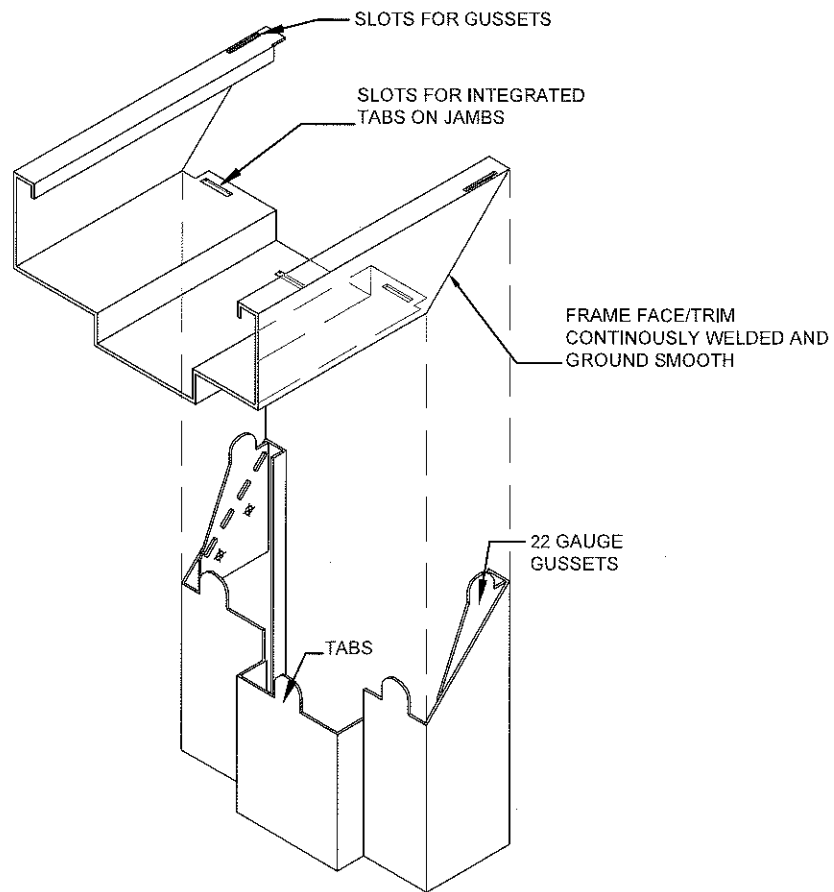
**gensteeldoors**  
www.gensteeldoors.com

4950 Hickmore, St. Laurent, Quebec, Canada, H4T1K6  
Tel: (514) 733-3562 Fax: (514) 733-1932

DATE	10-22-99
SCALE	N.T.S.
DRAWN	H.C.
PROJECT	09-015
DRAWING NO.	AD-09-001
SHEET 7 OF 8	

# BILL OF MATERIALS

ITEM	PART No.	MATERIAL	QTY.	DESCRIPTION	MANUFACTURER/SUPPLIER/ REMARKS
1	-	STEEL DR ST/ST	AS REQD.	FRAME HEAD/JAMB (5- $\frac{7}{8}$ ' x 2')	18 GA. (0.048MIN.) Fy= 42KSI MIN.
2	PMK177-T	ALUM.	1	THRESHOLD WITH THERMO SEAL INSERT	PEMKO 177AT W/ THERMOSEAL(T)
3	-	STEEL DR ST/ST	AS REQD.	DOOR PANEL	20 GA. (0.036MIN) Fy= 42 KSI MIN.
4	DR1010	STEEL	AS REQD.	MORTISE BOX REINFORCEMENT	GENSTEEL
5	P 387	-	AS REQD.	PEMKO 387 CLOSED CELL SPONGE WEATHERSTRIP	PEMKO
6	-	STEEL	AS REQD.	2- $\frac{3}{16}$ ' x 4' 12 GA. STEEL REINFORCEMENT	GENSTEEL
7	HC822	STEEL	AS REQD.	2' X 3' X 1/8' REMOVABLE MULLION	PRECISION HARDWARE HC822 Fy = 46 ksi
8	FA3010	STEEL	AS REQD.	EXISTING MASONRY ANCHOR	GENSTEEL
9	SB453	-	AS REQD.	SURFACE BOLT	IVES SB453
10	FR1200	STEEL	AS REQD.	1- $\frac{3}{4}$ ' x 12' 16 GA. FRAME REINFORCEMENT	GENSTEEL
11	FA1040	STEEL	2	FLOOR ANCHOR 18 GA. (1- $\frac{1}{2}$ ' x 1- $\frac{1}{2}$ ' x 4- $\frac{1}{2}$ ' LG)	GENSTEEL
12	HR2000	STEEL	3 PER LEAF	HINGE DUSTBOX	GENSTEEL
13	HR1030	STEEL	3 PER LEAF	HINGE REINFORCEMENT WELDED TO FRAME	GENSTEEL
14	DR1700	STEEL	AS REQD.	MORTISE LOCK EDGE REINFORCEMENT WELDED	GENSTEEL
15	FR1100	STEEL	AS REQD.	ASA STRIKE BOX	GENSTEEL
16	179-454	STEEL	3 PER LEAF	DOREX, HAGER #179-454-15 HINGE	STANLEY
17	FA3030	STEEL	AS REQD.	MASONRY WIRE ANCHOR	.173 DIA.
18	-	STEEL	AS REQD.	20GA. DUSTBOX	GENSTEEL
19	PMK2005AT	ALUM.	1	OPTIONAL THRESHOLD WITH THERMO SEAL INSERT	PEMKO 2005AT W/ THERMOSEAL(T)
20	PEMKO 315_N	-	1 PER LEAF.	WEATHERSTRIP AT BOTTOM OF PANEL	PEMKO
21	-	STEEL	1 PER MULLION	1 1/2' x 2 1/2' FULL LENGTH STEEL BAR REINFORCEMENT	A36 PRECISION HARDWARE HC822 INSERT
22	PEMKO P375	-	AS REQD.	PEMKO 375CR ASTRAGAL WITH SPONGE NEOPRENE	PEMKO WEATHERSTRIP APPLY WHEN WATER INFILTRATION IS REQUIRED
23	HONEYCOMB	-	AS REQD.	INSIDE OF DOOR PANEL	GENSTEEL



CORNER FRAME CONSTRUCTION

**PRODUCT REVISED**  
 as complying with the Florida  
 Building Code  
 Acceptance No. 17-D203-02  
 Expiration Date Nov 14, 2021  
*Shahid Khan*  
 Master Seal Product Control

NOV 15 2017

YIPING WANG, P.E. FLORIDA REGISTRATION PE #55983 C.A.N. 28677-003	DATE: 10-22-99 SCALE: NTS DRAWN: M.C. PROJECT: 09-015 DRAWING NO. <b>AD-09-001</b> SHEET 8 OF 8
--	---

NO.	DATE	DESCRIPTION
1	7/10/10	AS PER BCCO
2	1/4/11	AS PER BCCO
3	8/3/15	2014 PBC UPDATE
4	7/25/17	2017 PBC UPDATE

MCY

**MCY ENGINEERING, INC.**  
 GLAZING CONSULTANTS

8501 SW 124 AVE. STE. 205A P: 305.271.0117  
 MIAMI, FL. 33183 F: 786.573.5063  
 www.MCYUS.com MCY.Engineering@Att.net

GENSTORM OPAQUE OUTSWING STEEL DOOR SYSTEM (LMI)

gensteeldoors

www.gensteeldoors.com  
 4950 Hickmore, St. Laurent, Quebec, Canada, H4T1K6  
 Tel: (514) 733-3562 Fax: (514) 733-1932